

AXCOR PROFILE 400 HC

EN PHOTOMETRIC DIAGRAMS

ES DIAGRAMAS FOTOMÉTRICOS

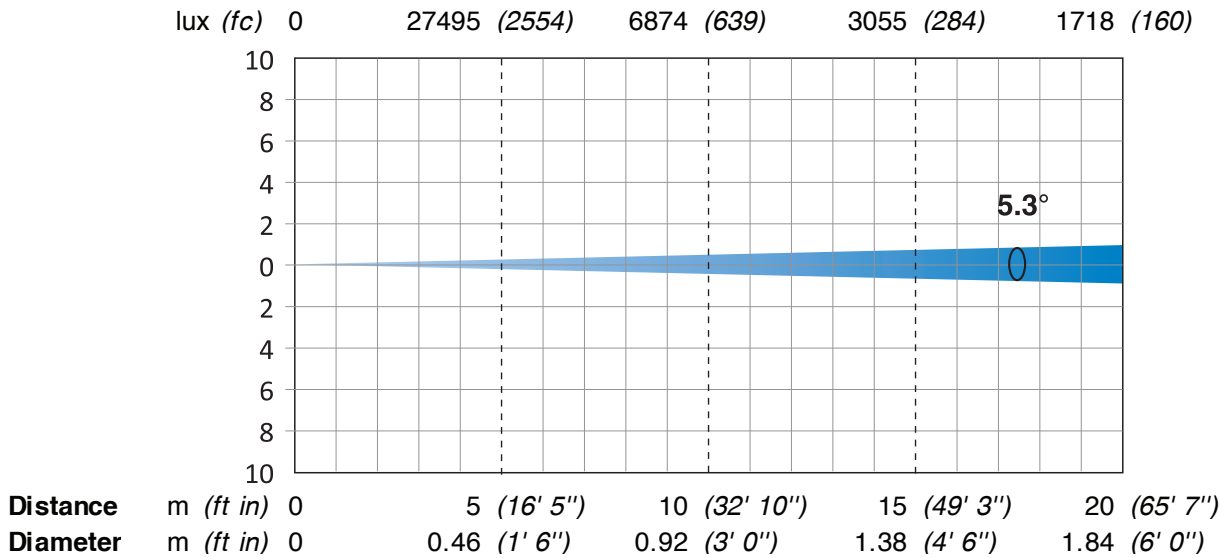
IT DIAGRAMMI FOTOMETRICI

FR DIAGRAMMES PHOTOMETRIQUES

DE FOTOMETRISCHE DIAGRAMME

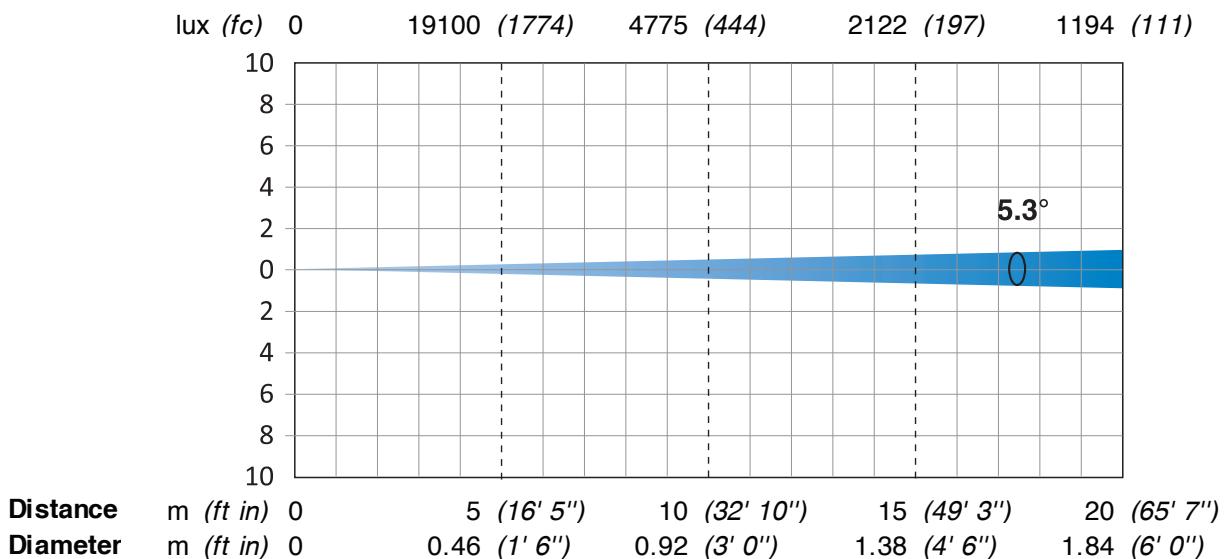
Minimum Zoom, AUTO mode (5.3°)

Total Output: 3800 lumens



Minimum Zoom, SLN mode (5.3°)

Total Output: 2600 lumens



AXCOR PROFILE 400 HC

EN PHOTOMETRIC DIAGRAMMS

ES DIAGRAMAS FOTOMÉTRICOS

IT DIAGRAMMI FOTOMETRICI

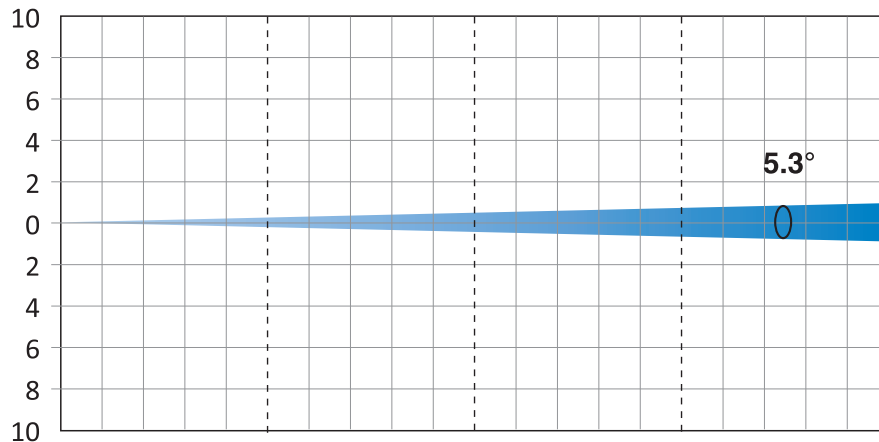
FR DIAGRAMMES PHOTOMETRIQUES

DE FOTOMETRISCHE DIAGRAMME

Minimum Zoom, CONSTANT mode (5.3°)

Total Output: 3800 lumens

lux (fc) 0 27387 (2544) 6847 (636) 3043 (283) 1712 (159)

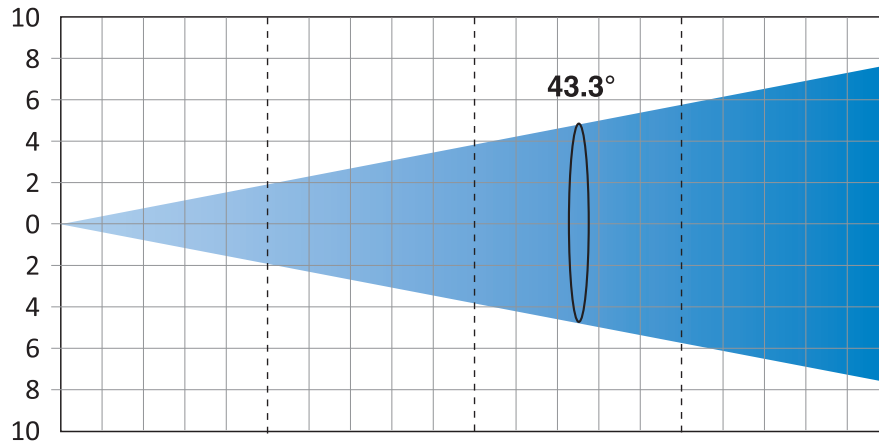


Distance	m (ft in)	0	5 (16' 5'')	10 (32' 10'')	15 (49' 3'')	20 (65' 7'')
Diameter	m (ft in)	0	0.46 (1' 6'')	0.92 (3' 0'')	1.38 (4' 6'')	1.84 (6' 0'')

Maximum Zoom, AUTO mode (43.3°)

Total Output: 6700 lumens

lux (fc) 0 644 (59.8) 161 (15) 72 (6.65) 40 (3.74)



Distance	m (ft in)	0	5 (16' 5'')	10 (32' 10'')	15 (49' 3'')	20 (65' 7'')
Diameter	m (ft in)	0	3.97 (13' 0'')	7.93 (26' 0'')	11.90 (39' 1'')	15.87 (52' 1'')

AXCOR PROFILE 400 HC

EN PHOTOMETRIC DIAGRAMMS

ES DIAGRAMAS FOTOMÉTRICOS

IT DIAGRAMMI FOTOMETRICI

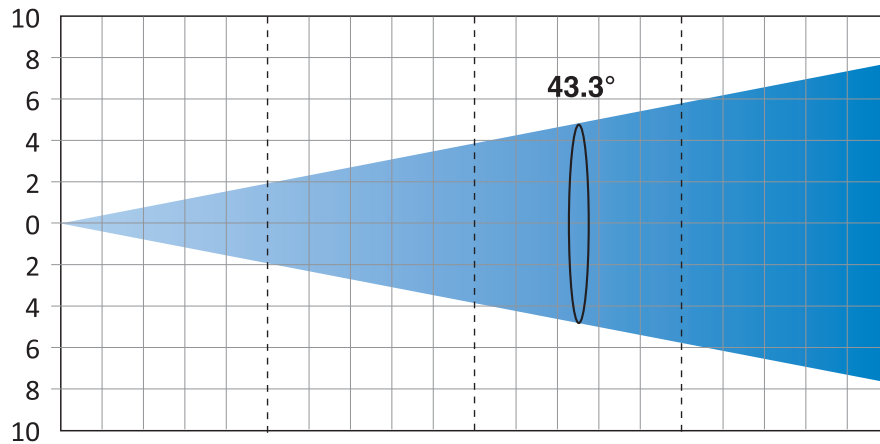
FR DIAGRAMMES PHOTOMETRIQUES

DE FOTOMETRISCHE DIAGRAMME

Maximum Zoom, SLN mode (43.3°)

Total Output: 4800 lumens

lux (fc) 0 459 (42.6) 115 (10.7) 51 (4.73) 29 (2.66)

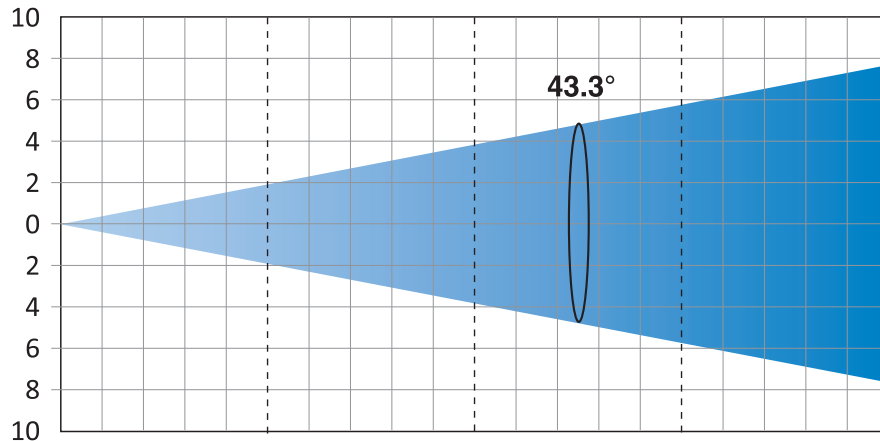


Distance	m (ft in)	0	5 (16' 5")	10 (32' 10")	15 (49' 3")	20 (65' 7")
Diameter	m (ft in)	0	3.97 (13' 0")	7.93 (26' 0")	11.90 (39' 1")	15.87 (52' 1")

Maximum Zoom, CONSTANT mode (43.3°)

Total Output: 6700 lumens

lux (fc) 0 642 (59.6) 160 (14.9) 71 (6.62) 40 (3.72)



Distance	m (ft in)	0	5 (16' 5")	10 (32' 10")	15 (49' 3")	20 (65' 7")
Diameter	m (ft in)	0	3.97 (13' 0")	7.93 (26' 0")	11.90 (39' 1")	15.87 (52' 1")