

**STECHNICS**

# User Manual

**LED SOFT PANEL LIGHT**

**RECTANGLE MC**

V 1.3



# CONTENTS

<b>1 TECHNICAL PARAMETERS .....</b>	<b>1</b>
1.1 ELECTRICAL PARAMETERS.....	1
1.2 OPTICAL PARAMETERS .....	1
1.3 MECHANICAL AND PHYSICAL PARAMETERS .....	1
<b>2 ILLUMINATION CHART.....</b>	<b>2</b>
<b>3 SAFETY WARNING .....</b>	<b>3</b>
<b>4 INSTALLATION .....</b>	<b>4</b>
4.1 FUNCTION DIAGRAM .....	4
4.2 BARN DOOR ASSEMBLY DIAGRAM.....	5
4.3 HANDLE ASSEMBLY DIAGRAM.....	6
4.4 HANDLE AND LIGHT FIXTURE ASSEMBLY DIAGRAM.....	7
4.5 INSTALL AND METHOD .....	8
4.6 POWER CONNECTION.....	9
4.7 DMX512 CONSOLE CONNECTION.....	10
<b>5. OPERATION.....</b>	<b>11</b>
5.1 KEYS OPERATION .....	11
5.2 MANUAL SET.....	12
5.3 STAT SETTING-STAT .....	13
5.4 DMX512 CODES SETTING ADDR.....	14
5.5 MASTER AND SLAVE MODE: RUN.....	14
5.6 AUTO MODE .....	15
5.7 FIXTURE SETTING.....	15
<b>6.DMX512 ADDRESS CODE SETTING .....</b>	<b>16</b>
<b>7.DMX 512 CONTROL CHANNEL TABLE.....</b>	<b>17</b>

**8. STANDARD ACCESSORIES ..... 20**

# **1 Technical Parameters**

## **1.1 Electrical Parameters**

Input Voltage:100-240AC 50/60HZ  
Power Consumption:320W  
Control Signal:DMX512  
Control Channel:14 channels  
DMXinput/output interface:XLR 3PIN / 5PIN  
Power Interface:Air Plug

## **1.2 Optical Parameters**

Light Source:3Wx 108pcs LED lamps;  
15pcs x Deep red/Red/Green/Blue; 12pcs x Blue/Dark blue; 24pcs  
x Amber  
Color (Light Source):7 color mixed  
Beam Angle:90°  
Dimmer:0-100%  
Strobe:0-20Hz

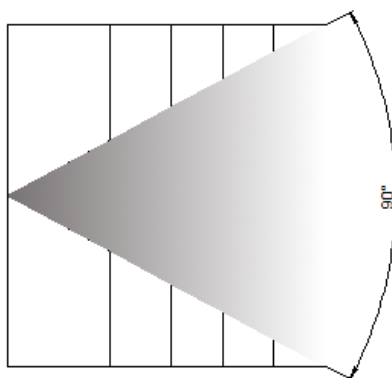
## **1.3 Mechanical and physical parameters**

Case Material:Aluminum/plastic  
Protection Grade:IP20  
Working Temperature:-20~40°C  
Noise:0db  
Net Weight:11.8KG  
Dimension:583\*394\*117mm

## 2 Illumination Chart

lux

Crimson	:	358	145	84	53	37
R	:	772	320	184	117	82
Dark B	:	128	50	28	18	13
B	:	317	125	70	45	32
A	:	2170	860	493	311	218
G	:	1482	583	335	209	148
L	:	964	382	220	138	97
All	:	6165	2450	1417	885	622



spot distance

m 1 1.5 2 2.5 3

Spot D

m 1.66 2.49 3.3 4.15 5

## 3 Safety Warning

### Notice:

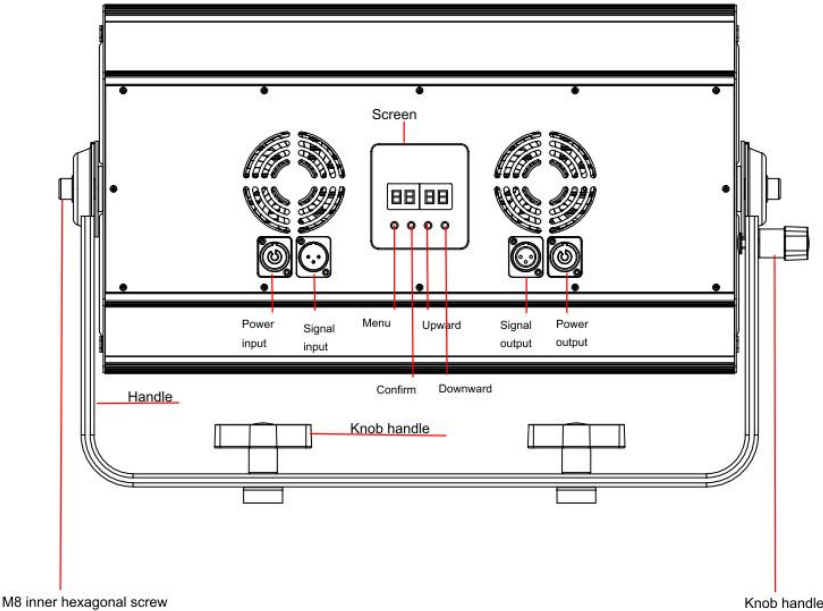
- Professional technical people required to install and maintain this equipment.
- This equipment has passed strict inspection before delivery.
- Users have to obey the safety and notice guide.
- Supplier won't afford the accidents and losses that don't operate the fixture according to the operation guide and change it without permission.

### Important Notice:

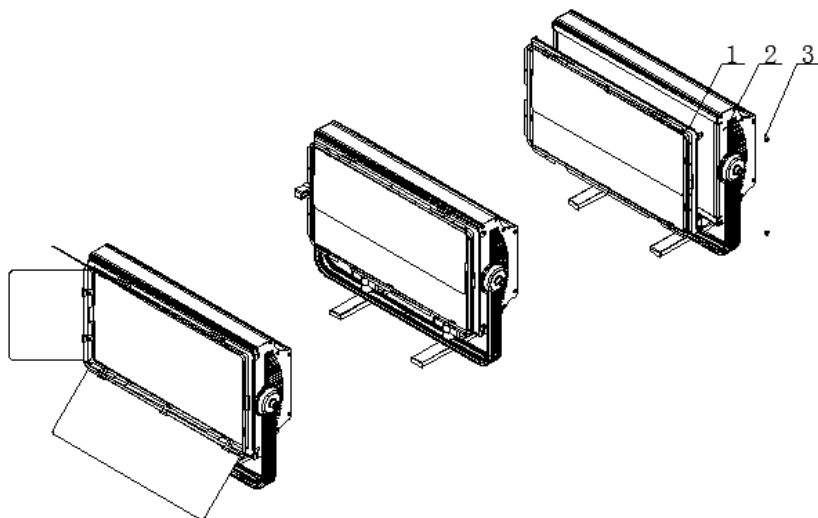
- Make sure the power supply within the standard data range.
- The fixture's power connection line can't connect to any other fixtures.
- The fixture's DMX512 connection line can't connect to any other fixtures' DMX512 signal.
- Make sure the fixture is appropriately earthed before use this fixture safely.
- Yellow-green line is earthed line, select the eligible power socket to make sure the safety and operation; Or cut off the plug and connect the switch directly.
- To avoid the hard collision when installation, using or moving the fixture.

# 4 Installation

## 4.1 Function Diagram



## 4.2 Barn door Assembly Diagram



Barn door Assembly steps:

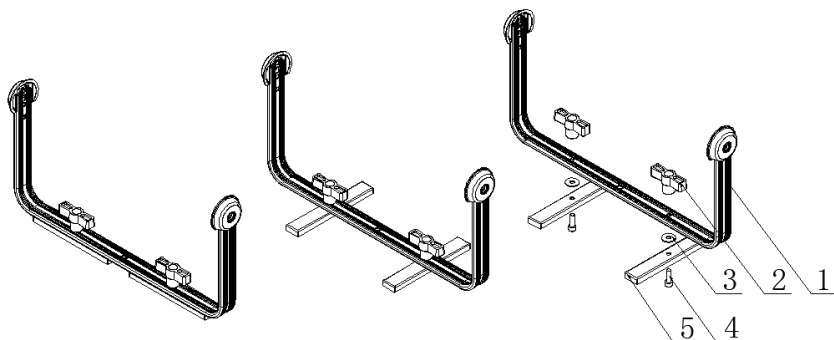
Put barn door (1) on the light body (2), mounting the holes, lock the cross recessed pan head screws (3) and tighten them.

Accessories list:

NO.	ITEM	SPEC	QTY (PCS)	NOTE
1	Barn door	492*272*36	1	
2	Light Body	489*117*285	1	
3	Cross recessed pan head screws	M4*8 White zinc plated	4	



## 4.3 Handle Assembly Diagram



Handle assembly installation steps:

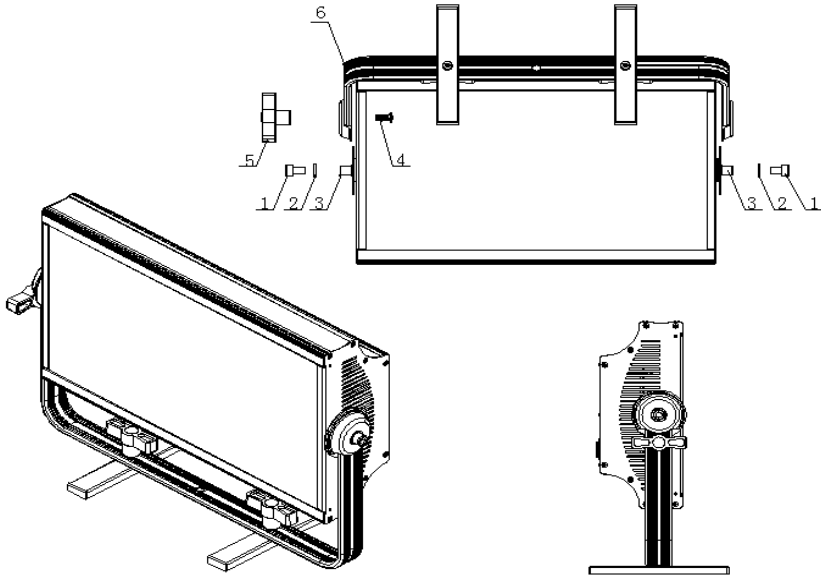
- 1、 Insert the socket head cap screw (4) into the through hole of the lamp body bracket (5), take the rubber ring (3) on the hexagon socket head screw inserted in the lamp body bracket, and insert the mounting hole of the profile handle (1). , lock with knob handle (2);
- 2、 Supporting the lamp body by rotating the lamp body bracket and the vertical or parallel angle of the profile handle;
- 3、 Instal finished.

Accessories list:

No	Name	Spec	Quantity (PCS)	Note
1	handle	523×251×36	1	
2	Knob handle	M8×20	2	Optional
3	Rubber ring	Φ25×Φ8.5	2	Optional
4	Socket head cap screws	M8*25 stainless steel	2	Optional
5	Light body bracket	190×30	2	Optional

--	--	--	--	--

#### 4.4 Handle and light fixture Assembly diagram



Handle installation steps:

- 1、 Insert the handle assembly (6) into the main handle (3) slightly on both sides.;
- 2、 Insert the flat washer (2) into the hexagon socket head cap screw (1), lock it into the handle base and tighten it.;
- 3、 After rotating the handle assembly to 90° perpendicular to the light exit surface of the lamp body, take the flat head positioning screw (4) from the inside of the handle into the square hole of the handle and use the knob handle (5) from the outside of the handle. Lock and tighten the lamp body by adjusting the knob handle.

Accessories list:

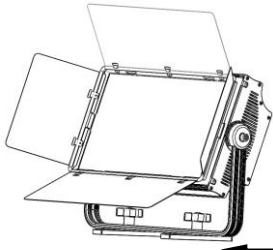
No	Name	Spec	Quantity(PCS)	Note

1	Socket head	M8*10 stainless steel	2	
2	Flat Washers	Φ8.4*16 Black nickel plating	2	
3	handle	Φ35×22	2	
4	Flat head set screw	M8×26	1	
5	Knob handle	M8×20	1	
6	Handle assembly	523×251×36	1	

## 4.5 Install and Method

### Horizontal placement:

▲ Open the lamp body bracket and adjust the knob handle to turn the lamp body tightly to mount it on the appropriate lamp holder or table, as shown below.



Light body fram

### Hanging placement:

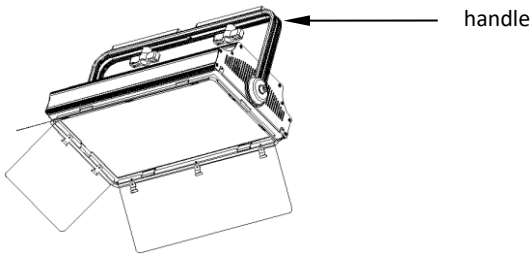
Note: Ensure that the installation location is completely suitable for this product, to ensure that the installation location is safe and reliable.

▲ When installing and using the equipment, be sure to keep away from inflammable and explosive materials to ensure that the distance from the flammable materials is more than 0.3 meters.;

▲ Secure the fixture to the appropriate installation location using the correct tools;

▲ The device for installing the luminaire must be able to withstand more than ten times the weight of the luminaire itself, and ensure that there is no obvious deformation at the suspension location within one hour;

▲ If the luminaire is used for hanging with a safety rope, the rope used must be able to withstand more than ten times the weight of the luminaire itself, and the safety rope must be provided with a safety buckle by inserting the safety rope from the keyhole at the bottom of the luminaire. Bypassing the lamp holder and other fixtures, insert the end of the fuse cord into the fuse and tighten the screws as shown below.



## 4.6 Power connection

□ This product uses an input and output power cable of 2.5 square millimeters of copper core wire. When the power cable is connected in series, it should not exceed 10 lamps when using 220V AC power. When using 110V AC power, it should not exceed 5 lamps.

□ Do not use more than 20 lamps when using the DMX512 signal input/output connector cable. The signal line between the DMX console and the lamp or the lamp and the lamp must be more than 50 meters long.

□ It is recommended to insert a terminal plug into the signal output socket of the last device connected at the end of each signal transmission line. The terminal plug is a plug consisting of a 120Ω/1W resistor welded between pins 2 and 3 of the male plug. To reduce the reflected wave interference caused by the open end of the control signal cable.

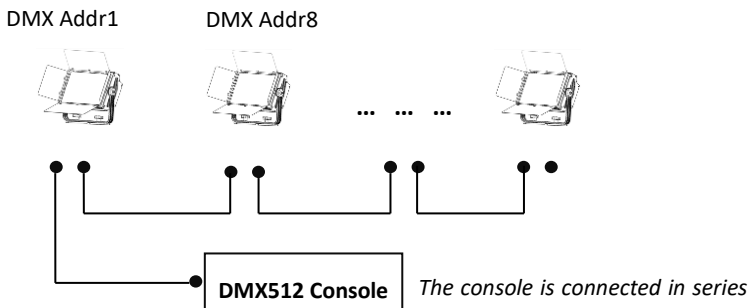
## 4.7 DMX512 Console Connection

◇ Connect the signal lines of the DMX512 console and the lamp body in series.

◇ Since STEGA MODE is a 7-channel command, the address code of the luminaire is incremented by 7 (eg 1, 8, 15, 22•••).

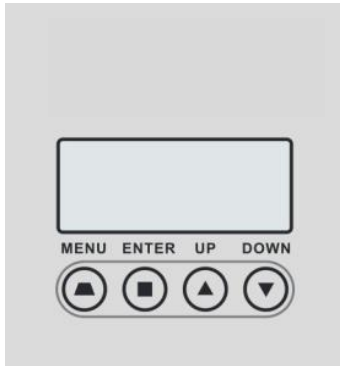
◇ The DMX512 address code can be reused as needed.

◇ The DMX512 address code can be any value between 001 and 512.



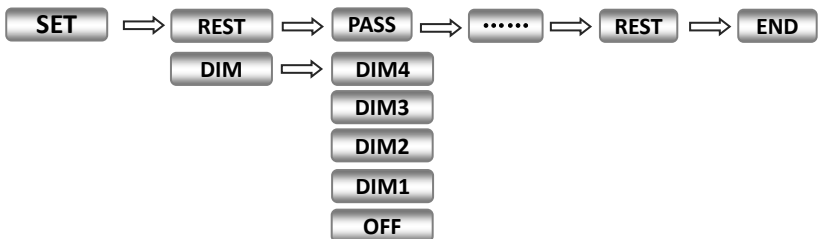
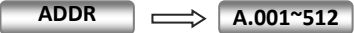
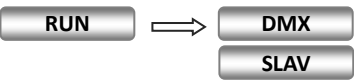
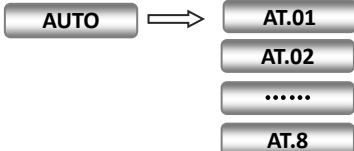
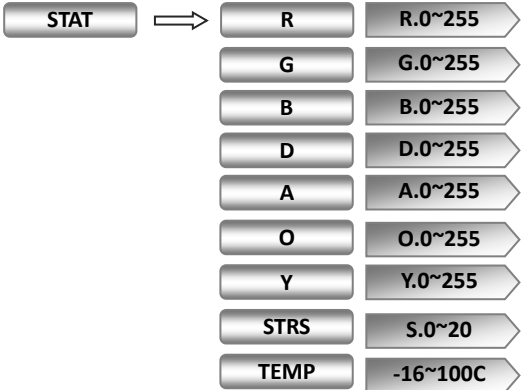
## 5. Operation

### 5.1 Keys Operation

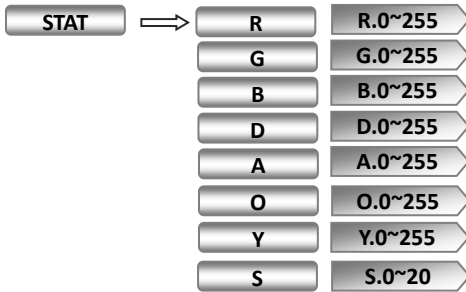


- MENU: Return to the previous level menu, or switch to the main menu;
- ENTER: Go to the next level submenu and save or confirm the setting values;
- UP: Select the submenu and cycle up to adjust values;
- DOWN: Select the submenu and cycle down to adjust values.

# 5.2 Manual Set



## 5.3 Stat Setting-STAT



◇ Under the "STAT" menu, press "ENTER" for static running settings;

◇ Cycle "ENTER" key to select the dark red (R), red (G) , dark blue (B), blue (D), amber (A), green (O), cyan (Y), strobe (S), temperature display (XXXC) (when the temperature sensor is abnormal, the system displays the error (ERR)), press "UP/DOWN" to adjust and set the brightness of each color;

◇ Press "MENU" to return to the main menu and save it automatically;

Pls. note that when this operation is on, the operated lamp automatically becomes the host and sends data out, at this moment this lamp must be disconnected from the control panel and the other luminaires are set to as slaves.

## 5.4 DMX512 Codes Setting ADDR



◇ Under the "ADDR" menu, press "ENTER" to set the DMX512

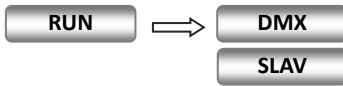


address code;

◇ Press "UP" / " DOWN" to select the DMX address code between 001-512;

◇ Press "MENU" to return to the main menu and automatically save the address code setting.

## 5.5 Master and Slave Mode: RUN



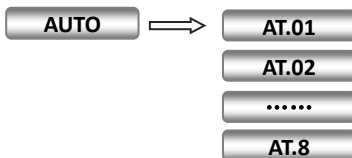
◇ Under "RUN" menu, press "ENTER" to enter the Master / Slave Mode to select setting;

◇ Press "UP / DOWN" to select the operation mode "Master / Slave" of DMX;

◇ Under the mode of "Master" of DMX, the device receives standard DMX512 console instructions, while the "Slave" receives only the host instructions;

◇ Press "MENU" to return to the main menu and automatically save the selection of the running mode.

## 5.6 AUTO Mode

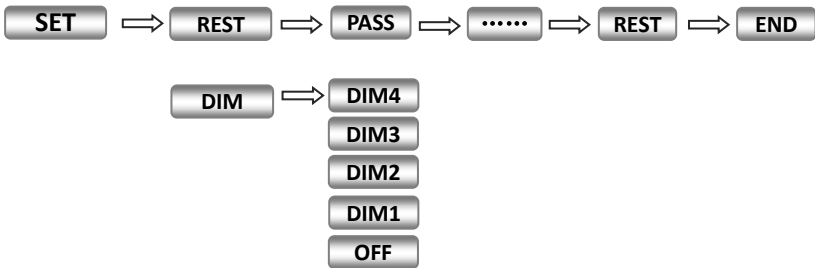


Tip: This operation is on, the operated lamp automatically becomes the host and sends data out, at this moment this lamp must be disconnected from the control panel and the other luminaires are set to as slaves.

◇ Under "AUTO" menu, press "ENTER" to enter the program of auto running;

- ◇ Press "UP / DOWN" to select the automatic running program or the user self-edited program;
- ◇ Press "MENU" to return to the main menu and automatically save the auto-running program that you chose .

## 5.7 Fixture Setting



- ◇ Press [ENTER] in the [SET] menu to enter the fixture setting operation.
- ◇ Press [UP]/[DOWN] to select the directory for this setting;
  - ◇ Press [ENTER] under [REST] to enter the password confirmation operation, enter the correct password, enter the correct password [UP]+[DOWN]+[UP]+ 15 N], press [ENTER] to enter, the system automatically restores the factory parameters. Press [MENU] to return to the main menu;
  - ◇[DIM] Nonlinear dimming speed adjustment and setting, press [UP]/[DOWN] to select each parameter, [OFF] is the normal linear dimming speed, [DIM1] is speed 1, [DIM2] is speed 2, [DIM3] For speed 3, [DIM4] is speed 4, and from DIM1 to DIM4, the speed is reduced in sequence.

## 6.DMX512 Address code setting

- ◇ Select the standard DMX512 signal cable to connect the lamps in series;
- ◇ Use the operation menu ADDR to set the DMX512 address code of the fixture;
- ◇ Set the same or different DMX512 addresses for different fixture according to the actual situation on site.

## 7.DMX 512 Control Channel chart

Channel	Value	Function	
1		Dimmer intensity :	
	0-255	Intensity 0 to 100%	Dimming from 0 to 100%
2		Deep Red LED :	
	0-255	0-Black , 255-100%	Deep red from 0 to 100%
3		Red LED :	
	0-255	0-Black , 255-100%	Red from 0 to 100%

4		Deep Blue LED :	
	0-255	0-Black , 255-100%	Deep blue from 0 to 100%
5		Blue LED :	
	0-255	0-Black , 255-100%	Blue from 0 to 100%
6		Amber LED :	
	0-255	0-Black , 255-100%	Amber from 0 to 100%
7		Green LED :	
	0-255	0-Black , 255-100%	Green from 0 to 100%
8		Cyan LED :	
	0-255	0-Black , 255-100%	Cyan from 0 to 100%
9		Strobe :	
	0-255	1-25Hz	Strobe from slow to fast
10		Color_wheel	Color Wheel
	0-255		
11		CCT	CCT 2800K-6000 K
	0-255	0-5	No effect

		6-255	2800K-6000 K
12		Auto:	Self-running program
	0-5	No effect	
	6-50	Auto_pro1	Procedure 1
	51-100	Auto_pro2	Procedure 2
	101-150	Auto_pro3	Procedure 3
	151-200	Auto_pro4	Procedure 4
13		Auto_Speed	Speed from slow to fast
	0-255	SPEED (0-255)	
14	201-220	Restor	

## 8. Standard accessories

safety rope 1

Manual 1

Warranty card 1

Barn door 1

Signal cable 1

Power cable 1

European standard power cord (optional)

American standard power cord (optional)