

**STECHNICS**

## PAR NF 603 RGB



CE   IP20 t<sub>a</sub> 40°C t<sub>c</sub> 100°C

# User Manual

KEEP THIS MANUAL FOR FUTURE NEEDS

# 1 SAFETY INSTRUCTIONS



## CAUTION

Be careful with your operations. With a dangerous voltage you can suffer a dangerous electric shock when touching wires!

This device has left the factory in perfect condition. In order to maintain this condition and to ensure a safe operation, it is absolutely necessary for the user to follow the safety instructions and warning notes written in this user manual.



## IMPORTANT

Damages caused by the disregard of this user manual are not subject to warranty. The dealer will not accept liability for any resulting defects or problems.

If the device has been exposed to temperature changes due to environmental changes, do not switch it on immediately. The arising condensation could damage the device. Leave the device switched off until it has reached room temperature.

This device falls under protection-class I. Therefore it is essential that the device be earthed.

The electric connection must carry out by qualified person.

The device shall only be used with rated voltage and frequency.

Make sure that the available voltage is not higher than stated at the end of this manual.

Make sure the power cord is never crimped or damaged by sharp edges. If this would be the case, replacement of the cable must be done by an authorized dealer.

Always disconnect from the mains, when the device is not in use or before cleaning it. Only handle the power cord by the plug. Never pull out the plug by tugging the power cord.

During initial start-up some smoke or smell may arise. This is a normal process and does not necessarily mean that the device is defective, it should decrease gradually.

Please don't project the beam onto combustible substances.

Fixtures cannot be installed on combustible substances, keep more than 50cm distance with wall for smooth air flow, so there should be no shelter for fans and ventilation for heat radiation.

If the external flexible cable or cord of this luminaire is damaged, it shall be exclusively replaced by the manufacturer or his service agent or a similar qualified person in order to avoid a hazard.

# 8 MAINTENANCE AND CLEANING

The following points have to be considered during the inspection:

- 1) All screws for installing the devices or parts of the device have to be tightly connected and must not be corroded.
- 2) There must not be any deformations on the housing, color lenses, fixations and installation spots (ceiling, suspension, trussing).
- 3) Mechanically moved parts must not show any traces of wearing and must not rotate with unbalances.
- 4) The electric power supply cables must not show any damage, material fatigue or sediments.

Further instructions depending on the installation spot and usage have to be adhered to by a skilled installer and any safety problems have to be removed.



## CAUTION

Disconnect from mains before starting maintenance operation.



In order to make the lights in good condition and extend the life time, we suggest a regular cleaning to the lights.

- 1) Clean the inside and outside lens each week to avoid the weakness of the lights due to accumulation of dust.
- 2) Clean the fan each week.
- 3) A detailed electric check by approved electrical engineer each three months, make sure that the circuit contacts are in good condition, prevent the poor contact of circuit from overheating.

We recommend a frequent cleaning of the device. Please use a moist, lint-free cloth. Never use alcohol or solvents.

There are no serviceable parts inside the device. Please refer to the instructions under "Installation instructions".

Should you need any spare parts, please order genuine parts from your local dealer.

18CH Mode

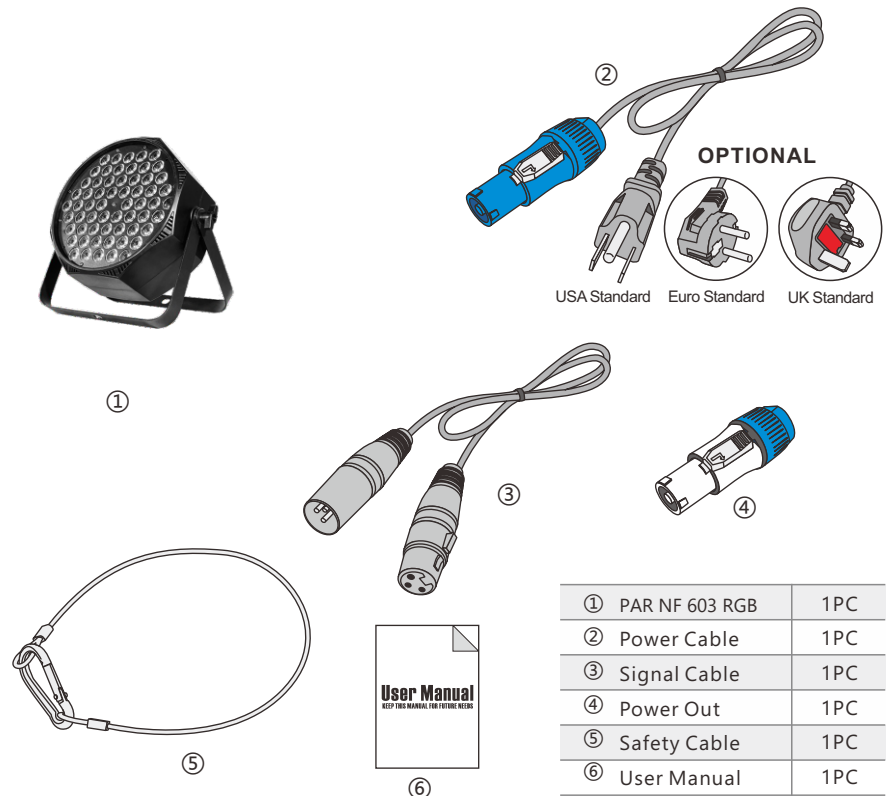
CH	DMX Value	Function
CH1	0-255	RED Dimmer paragraph 1 (0-1 Off, 2-255 Dimmer from Dim to Bright)
CH2	0-255	GREEN dimmer paragraph 1 (0-1 Off, 2-255 Dimmer from Dim to Bright)
CH3	0-255	BLUE dimmer paragraph 1 (0-1 Off, 2-255 Dimmer from Dim to Bright)
CH4	0-255	RED Dimmer paragraph 2 (0-1 Off, 2-255 Dimmer from Dim to Bright)
CH5	0-255	GREEN dimmer paragraph 2 (0-1 Off, 2-255 Dimmer from Dim to Bright)
CH6	0-255	BLUE dimmer paragraph 2 (0-1 Off, 2-255 Dimmer from Dim to Bright)
CH7	0-255	RED Dimmer paragraph 3 (0-1 Off, 2-255 Dimmer from Dim to Bright)
CH8	0-255	GREEN dimmer paragraph 3 (0-1 Off, 2-255 Dimmer from Dim to Bright)
CH9	0-255	BLUE dimmer paragraph 3 (0-1 Off, 2-255 Dimmer from Dim to Bright)
CH10	0-255	RED Dimmer paragraph 4 (0-1 Off, 2-255 Dimmer from Dim to Bright)
CH11	0-255	GREEN dimmer paragraph 4 (0-1 Off, 2-255 Dimmer from Dim to Bright)
CH12	0-255	BLUE dimmer paragraph 4 (0-1 Off, 2-255 Dimmer from Dim to Bright)
CH13	0-255	RED Dimmer paragraph 5 (0-1 Off, 2-255 Dimmer from Dim to Bright)
CH14	0-255	GREEN dimmer paragraph 5 (0-1 Off, 2-255 Dimmer from Dim to Bright)
CH15	0-255	BLUE dimmer paragraph 5 (0-1 Off, 2-255 Dimmer from Dim to Bright)
CH16	0-255	RED Dimmer paragraph 6 (0-1 Off, 2-255 Dimmer from Dim to Bright)
CH17	0-255	GREEN dimmer paragraph 6 (0-1 Off, 2-255 Dimmer from Dim to Bright)
CH18	0-255	BLUE dimmer paragraph 6 (0-1 Off, 2-255 Dimmer from Dim to Bright)

## 2 UNPACKING

The PAR NF 603 RGB is a high power indoor LED flat par light using 60\*3W 3-IN-1 RGB LEDs which is designed with 6 individual segments. It's available for 2800K-5600K color temperature adjustment.

It features excellent color mixing, quiet running and flicker free control. The fixture is built in with 13 internal dynamic effect with variable speed. The PAR also features optimum optic design integrated with extremely effective aluminum heat sink system.

The PAR NF 603 RGB is designed for applications as concerts, TV studios, conference halls, bars, pubs, DJ entertainment, etc.



### 3 FEATURES & SPECIFICATIONS

60\*3W 3-IN-1 LEDs (RGB)  
 6 Individual control segments  
 Flicker free operation for broadcast TV and FILM  
 Life Span: 50000H  
 High efficiency optic system  
 25°Beam angle (other angles optional)  
 35°Field angle  
 High output  
 RGB  
 Smooth and pure color mixing capability  
 CTO, 2800K-5600K color temperature adjustment  
 13 Built-in dynamic effect with variable speed  
 Different preset colors  
 0-25Hz LED shutter/strobe effect with variable speed  
 0-100% Smooth linear LED dimming  
 4/5/6/9/18 DMX channels USITT DMX-512  
 DMX512, master-slave, sound or auto operation  
 DMX recorder and edit function integrated  
 IR Remote control  
 RDM available (Remote Device Management)  
 Wireless system as optional  
 Shielded input signal protection for stable signal without interference  
 3-pin XLR connectors IN/OUT  
 Electronic supply with active PFC  
 AC100-240V 50/60Hz  
 PowerCON connectors IN&OUT  
 180W Power consumption  
 -25°C to 45°C ambient temperature  
 IP20 protection rating  
 N.W.: 2.22kg  
 G.W.: 3.03kg(1PCS)/13.12kg(4PCS)  
 Product Dimensions: 101(D)\*258(W)\*264.5(H)mm  
 Packing Dimensions: 290(D)\*310(W)\*170(H)mm(1PCS)  
 325(D)\*615(W)\*375(H)mm(4PCS)

### 7 DMX CHANNELS

#### 4CH Mode

CH	DMX Value	Function
CH1	0-255	RED dimmer (0-1 Off, 2-255 Dimmer from Dim to Bright)
CH2	0-255	GREEN dimmer (0-1 Off, 2-255 Dimmer from Dim to Bright)
CH3	0-255	BLUE dimmer (0-1 Off, 2-255 Dimmer from Dim to Bright)
CH4	0-255	CTO (0-7 Off, 8-255 2800K--5600K)

#### 5CH Mode

CH	DMX Value	Function
CH1	0-255	RED dimmer (0-1 Off, 2-255 Dimmer from Dim to Bright)
CH2	0-255	GREEN dimmer (0-1 Off, 2-255 Dimmer from Dim to Bright)
CH3	0-255	BLUE dimmer (0-1 Off, 2-255 Dimmer from Dim to Bright)
CH4	0-255	CTO (0-7 Off, 8-255 2800K--5600K)
CH5	0-255	Tuned light (0-1 Off, 2-255 Dimmer from Dim to Bright)

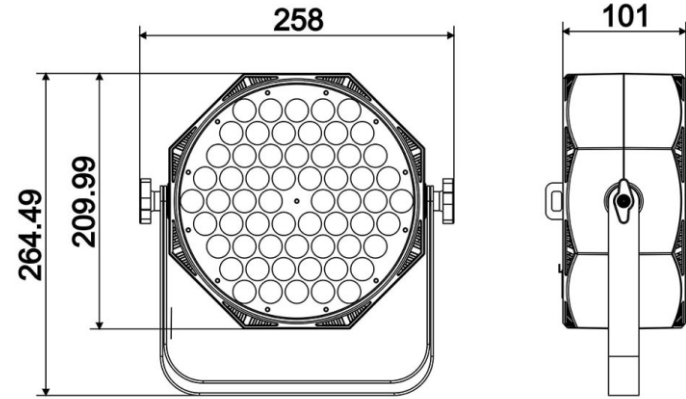
#### 6CH Mode

CH	DMX Value	Function
CH1	0-255	RED dimmer (0-1 Off, 2-255 Dimmer from Dim to Bright)
CH2	0-255	GREEN dimmer (0-1 Off, 2-255 Dimmer from Dim to Bright)
CH3	0-255	BLUE dimmer (0-1 Off, 2-255 Dimmer from Dim to Bright)
CH4	0-255	CTO (0-7 Off, 8-255 2800K--5600K)
CH5	0-255	Tuned light (0-1 Off, 2-255 Dimmer from Dim to Bright)
CH6	0-255	stroboscopic (0-1 Off, 2-255 Dimmer from Dim to Bright)

#### 9CH Mode

CH	DMX Value	Function
CH1	0-255	Tuned light (0-1 Off, 2-255 Dimmer from Dim to Bright)
CH2	0-255	stroboscopic (0-1 Off, 2-255 Dimmer from Dim to Bright)
CH3	0-255	RED dimmer (0-1 Off, 2-255 Dimmer from Dim to Bright)
CH4	0-255	GREEN dimmer (0-1 Off, 2-255 Dimmer from Dim to Bright)
CH5	0-255	BLUE dimmer (0-1 Off, 2-255 Dimmer from Dim to Bright)
CH6	0-255	CTO (0-7 Off, 8-255 2800K--5600K)
CH7	0-255	Built-in Effects
	0-255	0-10 off
	0-255	11-28 The effect 1
	0-255	29-46 The effect 2
	0-255	47-64 The effect 3
	0-255	65-82 The effect 4
	0-255	83-100 The effect 5
	0-255	101-118 The effect 6
	0-255	119-136 The effect 7
	0-255	137-154 The effect 8
	0-255	155-172 The effect 9
	0-255	173-190 The effect 10
	0-255	191-208 The effect 11
0-255	209-226 The effect 12	
0-255	227-255 The effect 13	
CH8	0-255	Effect of speed(0-1 Off, 2-255 Dimmer from Dim to Bright)
CH9	0-255	Voice control(0-18 Off, 19-255 Dimmer from Dim to Bright)

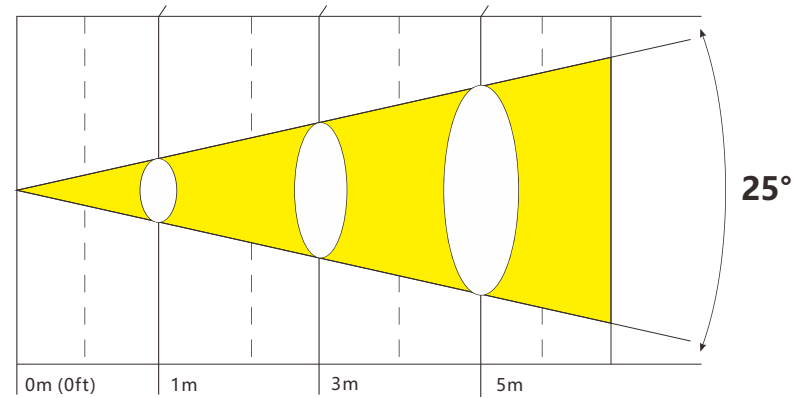
Wireless Settings	Operation	Receive				
		Transmit				
		Off				
	W-ID Code	1 ID ~ 7 ID				
System Settings	Display	On/Off				
	Display Reverse	On/Off				
	Key Lock	On/Off				
	Ir Remote	On/Off				
	Emergency	No/Yes				
	DMX Fail	Blackout				
		Hold				
Master						
Reset Reload						
System Info	Firmware	Ver 1.0				
	Time Info	xxxH				
	Temperature	xxx°C				



## 4 PHOTOMETRIC DATA

■ Photometric Beam Angle Data  $25^\circ$  Beam Angle  $LUX \times 0.0929 = FC$

<b>R</b>	14650/1360	1965/182	582/54
<b>G</b>	25090/2330	3740/347	1368/127
<b>B</b>	1510/140	182/17	70/6
<b>RGB</b>	34900/3242	4940/458	1580/146 (LUX)

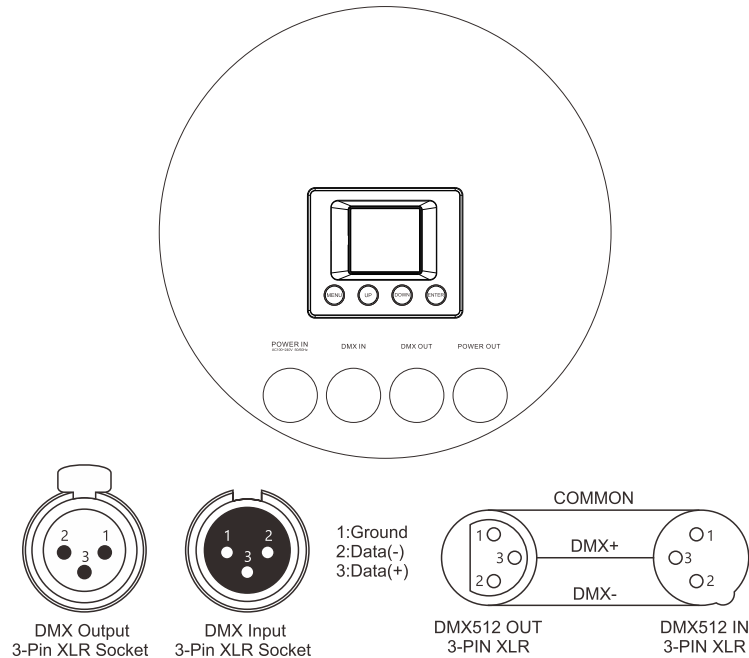


## 5 DMX-512 CONTROL CONNECTIONS

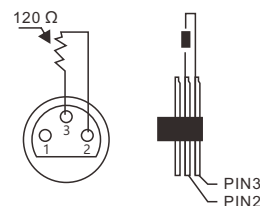
Connect the provided XLR cable to the female 3-pin XLR output of your controller and the other side to the male 3-pin XLR input of the architectural. You can chain multiple

Architectural together through serial linking. The cable needed should be two core, screened cable with XLR input and output connectors. Please refer to the diagram below.

DMX-512 connection with DMX terminator.



For installations where the DMX cable has to run a long distance or is in an electrically noisy environment, such as in a discotheque, it is recommended to use a DMX terminator. This helps in preventing corruption of the digital control signal by electrical noise. The DMX terminator is simply an XLR plug with a 120 Ω resistor connected between pins 2 and 3, which is then plugged into the output XLR socket of the last fixture in the chain. Please see illustrations below.



## 6 MENU OPERATIONS

DMX	Address	001 -512			
Mode	DMX	4CH			
		5CH			
		6CH			
		9CH			
		18CH			
	Auto	Pro 0-9	SP 00-99		
		Step	SP 00-99		
		Fade	SP 00-99		
		PUSH	SP 00-99		
	Sound	Pro 0-9	SE 00-99		
		Step	SE 00-99		
		Fade	SE 00-99		
		PUSH	SE 00-99		
	MACRO	RED	D 00-99	St 00-99	
		GREEN	D 00-99	St 00-99	
		BLUE	D 00-99	St 00-99	
		CYAN	D 00-99	St 00-99	
		Lemon	D 00-99	St 00-99	
		Amber	D 00-99	St 00-99	
		Lime G	D 00-99	St 00-99	
Gelb		D 00-99	St 00-99		
Orange		D 00-99	St 00-99		
Pale G		D 00-99	St 00-99		
Pale B		D 00-99	St 00-99		
Rosa		D 00-99	St 00-99		
Pink		D 00-99	St 00-99		
GoldenA		D 00-99	St 00-99		
Light B		D 00-99	St 00-99		
2800K	D 00-99	St 00-99			
3000K	D 00-99	St 00-99			
4000K	D 00-99	St 00-99			
5600K	D 00-99	St 00-99			
Custom A--D	A	B	C	D	
	Dimmer	Dimmer	Dimmer	Dimmer	
	Strobe	Strobe	Strobe	Strobe	
	Red	Red	Red	Red	
	Green	Green	Green	Green	
	Blue	Blue	Blue	Blue	