

10 MAINTENANCE AND CLEANING

STECHNICS

The following points have to be considered during the inspection:

- 1) All screws for installing the devices or parts of the device have to be tightly connected and must not be corroded.
- 2) There must not be any deformations on the housing, color lenses, fixations and installation spots (ceiling, suspension, trussing).
- 3) Mechanically moved parts must not show any traces of wearing and must not rotate with unbalances.
- 4) The electric power supply cables must not show any damage, material fatigue or sediments.

Further instructions depending on the installation spot and usage have to be adhered by a skilled installer and any safety problems have to be removed.



CAUTION

Disconnect from mains before starting maintenance operation.



In order to make the lights in good condition and extend the life time, we suggest a regular cleaning to the lights.

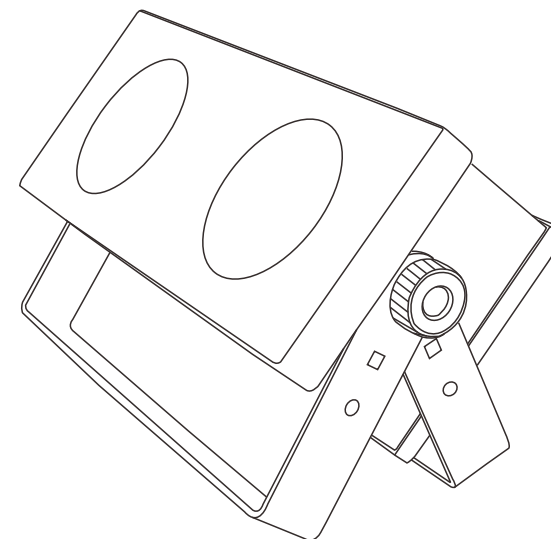
- 1) Clean the inside and outside lens each week to avoid the weakness of the lights due to accumulation of dust.
- 2) Clean the fan each week.
- 3) A detailed electric check by approved electrical engineer each three month, make sure that the circuit contacts are in good condition, prevent the poor contact of circuit from overheating.

We recommend a frequent cleaning of the device. Please use a moist, lint- free cloth. Never use alcohol or solvents.

There are no serviceable parts inside the device. Please refer to the instructions under "Installation instructions".

Should you need any spare parts, please order genuine parts from your local dealer.

BLINDER 2100 -CW



CE   IP20 t_a 40°C t_c 100°C

User Manual

KEEP THIS MANUAL FOR FUTURE NEEDS

1 SAFETY INSTRUCTIONS



CAUTION

Becareful with your operations. With a dangerous voltage you cansuffer a dangerous electric shock when touching wires!

This device has left the factory in perfect condition. In order to maintain this condition and to ensure a safe operation, it is absolutely necessary for the user to follow the safety instructions and warning notes written in this user manual.



IMPORTANT

Damages caused by the disregard of this user manual are not subject to warranty. The dealer will not accept liability for any resulting defects or problems.

If the device has been exposed to temperature changes due to environmental changes, do not switch it on immediately. The arising condensation could damage the device. Leave the device switched off until it has reached room temperature.

This device falls under protection-class I. Therefore it is essential that the device be earthed.

The electric connection must carry out by qualified person.

The device shall only be used with rate voltage and frequency.

Make sure that the available voltage is not higher than stated at the end of this manual.

Make sure the power cord is never crimped or damaged by sharp edges. If this would be the case, replacement of the cable must be done by an authorized dealer.

Always disconnect from the mains, when the device is not in use or before cleaning it. Only handle the power cord by the plug. Never pull out the plug by tugging the power cord.

During initial start-up some smoke or smell may arise. This is a normal process and does not necessarily mean that the device is defective, it should decrease gradually.

Please don't project the beam onto combustible substances.

Fixtures cannot be installed on combustible substances, keep more than 50cm distance with wall for smooth air flow, so there should be no shelter for fans and ventilation for heat radiation.

If the external flexible cable or cord of this luminaire is damaged, it shall be exclusively replaced by the manufacturer or his service agent or a similar qualified

9 DMX CHANNELS

5CH Mode

Channel	Function	Value	Description
1	Dimmer	0-255	Dimmer
2	Lamp1	0-255	Lamp 1
3	Lamp2	0-255	Lamp 2
4	Strobe	0-10	No strobe
		11-255	The speed of strobe (255 is the fastest)
5	Speed & Program	0-20	Speed of dimmer 4 (the slowest and softest)
		21-40	Speed of dimmer 3
		41-60	Speed of dimmer 2
		61-80	Speed of dimmer 1
		81-99	Speed of dimmer off (fastest and no any delay)
		100-109	Inner program 1
		Each 10 data is a program
		190-199	Inner program 10
		200-240	Change color by sound control
241-255	Strobe by sound control		

2CH Mode

Channel	Function	Value	Description
1	Lamp 1	0-255	Lamp 1
2	Lamp 2	0-255	Lamp 2

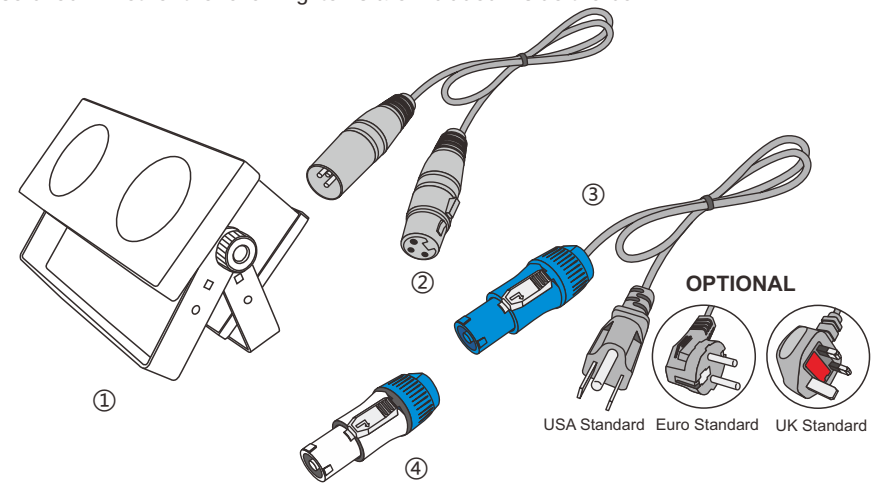
Menu		State	Operation		Remark
Main menu	Vice menu				
R.001	No menu	A: advance	UP/DOWN	adjust ID address	disconnect the controller and connect the master light, then it will follow the master light.
		External control mode (standard channel model)	ENTER	Save ID address	
d.001	No vice menu	d: dmx	UP/DOWN	Adjust ID address	It will flicker when no signal.
		External control mode (basic channel model)	ENTER	Save ID address	
A.L01	One vice menu	At: auto	UP/DOWN	choose the program	
		Aoto run model	ENTER	enter the vice menu	
	SP: speed	UP/DOWN	adjust speed		
	choose the auto run model	ENTER	save the data		
Sod.1	No menu	Sod: sound	UP/DOWN	change to sound model	
		sound model	ENTER	save data	
StAt	With multi menus	StAt: static	ENTER	enter vice menu	
		static mdel			
		r, G, b, W.....	UP/DOWN	change the color data	
	ENTER	save the data		
	St: strobe	UP/DOWN	change the strobe data		
	the strobe and its speed	ENTER	save and exchange		
tEMP	have 2 vice menus	tEMP: temperature	ENTER	enter the vice menu	
		temperature control function			
	0	ENTER	change to vice menu		
	t: top	UP/DOWN	Change the temperature protection data		
		set the temperature protect	ENTER	save and exchange	
diSP	No vice menu	diSP: display	ENTER	reverse display	
		set to show reverse display			
reSt	No vice menu	reSt: reset	ENTER	enter the interface of key	The password is " UP DOWN UP DOWN"
		return Initial State			

2 UNPACKING

Thank you for choosing our BLINDER 2100-CW. For your own safety, please read this manual before installing the device. This manual covers the important information on installation and applications. Please install and operate the fixture with following instructions. Meanwhile, please keep this manual well for future needs.

The BLINDER 2100-CW is made of a new type of high temperature strength of cast aluminum casing with nice outlook. The fixture is designed and manufactured strictly following CE standards, complying with international standard DMX512 protocol. It's available independently controlled and linkable with each other for operation. And it is applicable for large-scale live performances, theater, studio, nightclubs and discos.

The BLINDER 2100-CW adopts 2*100W 3200K (Warm White) COB LED module which features high brightness and stability. Please carefully unpack it when you receive the fixture and check whether it is damaged during the transportation. And please check whether the following items are included inside the box:



⑤

①	BLINDER 2100S	1PC
②	Signal Cable	1PC
③	Power Cable	1PC
④	Power Out	1PC
⑤	User Manual	1PC

3 FEATURES & SPECIFICATIONS

Features

- 2*100W cool white (5600K)
- Individual control for each COB module
- 50000 hours life span and low power consumption
- Color Rendering Index(CRI): Ra≥90
- Specific optic system with 30°beam angle
- 100° Field angle
- Ultra even light coverage
- 0-100% Smooth linear dimmer
- Flicker free control even at high speed strobe
- Different built-in programs
- 25T/sec strobe effect with variable speed
- 2/5 DMX channels USITT DMX-512
- DMX512, master-slave, and sound activated controllable or auto operation
- 4-Button red background LED display
- POWERCON connector IN/OUT
- 3-pin XLR connectors IN/OUT
- Low noise fan cooling system integrated with aluminum heat sink
- -10 -40 max ambient temperature
- IP20 protection rating
- Integrated double mounting brackets

Specifications

Input Voltage: AC100-240V 50/60Hz

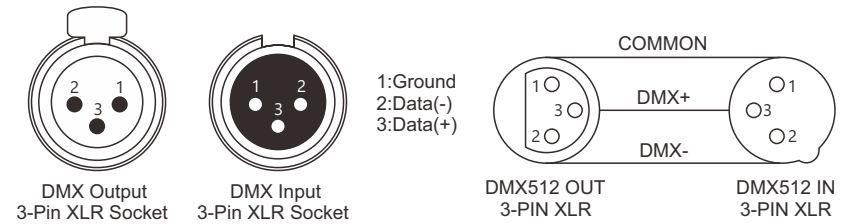
Max. Power:200W

Dimensions: 38*15.44*12.2cm

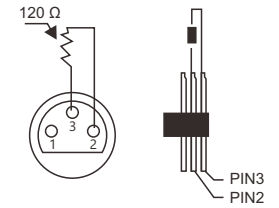
Packing Dimensions: 49*22*26.5cm(1pc/carton),
71x50.5x56cm(6pcs/carton)

Net Weight: 3.6kg

Gross Weight: 4.9kg



For installations where the DMX cable has to run a long distance or is in an electrically noisy environment, such as in a discotheque, it is recommended to use a DMX terminator. This helps in preventing corruption of the digital control signal by electrical noise. The DMX terminator is simply an XLR plug with a 120 Ω resistor connected between pins 2 and 3, which is then plugged into the output XLR socket of the last fixture in the chain. Please see illustrations below.



8 MENU OPERATIONS

A001 (1~512)
A001 (1~512)
A0.1 (1~10)
 → **SP.10** (1~20)
Sod.1 (1~2)
SEEE → **F.255** (0~255)

 → **SE.00** (0~20)
EEEP → **0**
 → **E.080** (40~120)
d.SP
r.ESE

Menu:

The first list is the main menu (press MENU to exchange), the second list is vice menu (press ENTER to get in or exchange)

If the menu include the decimal point, that's the data, and can be set by the Key of Up/Down.

Key operation:

Key of "MENU" (Press it and can save the data)

If it's the main menu, it will exchange to next main menu.

If it's the vice menu, it will back to main menu.

Key of "ENTER" (Press it and can save the data)

If it's the main menu and it have vice menu, it will enter the vice menu.

If it's the vice menu, it will exchange to the next vice menu.

Key of "UP/DOWN"

It's no function if the menu not include the decimal point.

If the menu include the decimal point, it can set the data after the decimal point. And it need press "ENTER" to save the data.

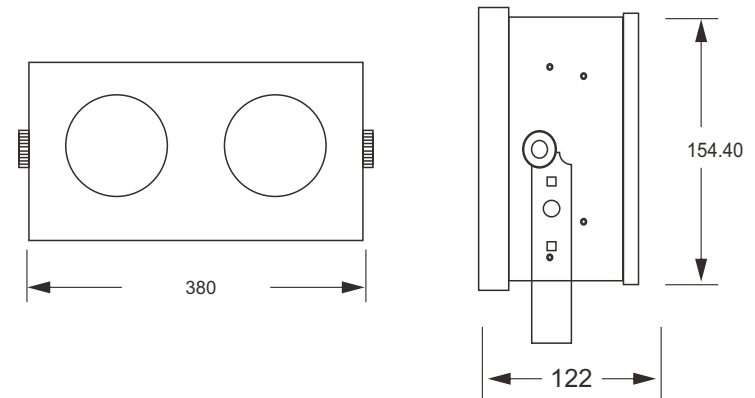
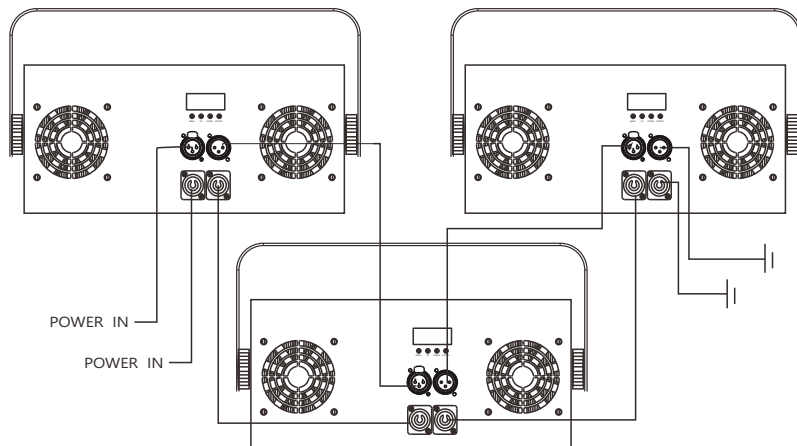
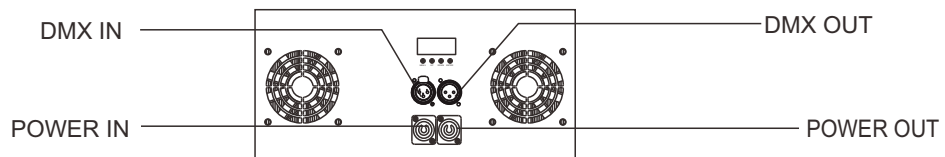
Regardless of the rigging option you choose for your BLINDERC 2100S-WW, always be sure to secure your fixture with a safety cable. The fixture provides a built-in rigging point for a safety cable on the hanging bracket as illustrated above. Be sure to only use the designated rigging point for the safety cable and never secure a safety cable to a carrying handle.

7 DMX-512 CONTROL CONNECTIONS

Connect the provided XLR cable to the female 3-pin XLR output of your controller and the other side to the male 3-pin XLR input of the studio light. You can chain multiple

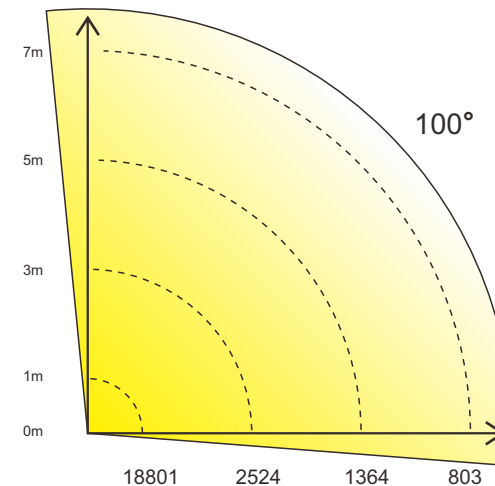
studio light together through serial linking. The cable needed should be two core, screened cable with XLR input and output connectors. Please refer to the diagram below.

DMX-512 connection with DMX terminator



4 PHOTOMETRIC DATA

Photometric Beam Angle Data 100° Beam Angle LUX× 0.0929=FC



5 OPERATION INSTRUCTIONS

- The BLINDER 2100S-WW is for wash effect for on-site decoration purpose.
- Don't turn on the fixture if it's been through severe temperature difference like after transportation because it might damage the light due to the environment changes. So make sure to operate the fixture until it is in normal temperature.
- This light should be keep away from strong shaking during any transportation or movement.
- Don't pull up the light by only the head, or it might cause damages to the mechanical parts.
- Don't expose the fixture in overheat, moisture or environment with too much dust when installing it. And don't lay any power cables on the floor. Or it might cause electronic shock to the people.
- Make sure the installation place is in good safety condition before installing the fixture.
- Make sure to put the safety chain and check whether the screws are screwed properly when installing the fixture.
- Make sure the lens are in good condition. It's recommended to replace the units if there are any damages or severe scratch.
- Make sure the fixture is operated by qualified personnel who knows the fixture before using.
- Keep the original packages if any second shipment is needed.
- Don't try to change the fixtures without any instruction by the manufacturer or the appointed repairing agencies.
- It is not in warranty range if there are any malfunctions from not following the user manual to operate or any illegal operation, like shock short circuit, electronic shock, lamp broke, etc.

6 INSTALLATIONS

Cautions: For added protection mount the fixtures in areas outside walking paths, seating areas, or in areas were the fixture might be reached by unauthorized personnel.

Before mounting the fixture to any surface, make sure that the installation area can hold a minimum point load of 10 times the device's weight.

Fixture installation must always be secured with a secondary safety attachment, such as an appropriate safety cable.

Never stand directly below the device when mounting, removing, or servicing the fixture.

from a ceiling, or set on a flat level surface (see illustration below). Be sure this fixture is kept at least 0.5m (1.5 ft) away from any flammable materials (decoration etc.).

Always use and install the supplied safety cable as a safety measure to prevent accidental damage and/or injury in the event the clamp fails.

Mounting points: Overhead mounting requires extensive experience, including amongst others calculating working load limits, a fine knowledge of the installation material being used, and periodic safety inspection of all installation material and the fixture. If you lack these qualifications, do not attempt the installation yourself. Improper installation can result in bodily injury.

Be sure to complete all rigging and installation procedures before connecting the main power cord to the appropriate wall outlet.

Clamp Mounting: The BLINDER 2100-CW provides a unique mounting bracket assembly, and the safety cable rigging point in one unit (see the illustration below). When mounting this fixture to truss be sure to secure an appropriately rated clamp to the handle using a M10 screw fitted through the center hole of the handle. As an added safety measure be sure to attached at least one properly rated safety cable to the fixture using on of the safety cable rigging point.

