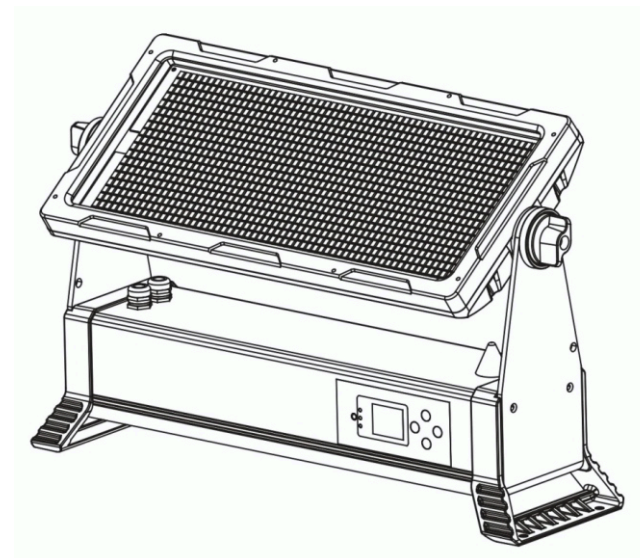


# STORM



CE   IP20 LED  0.2m  t<sub>a</sub> 40°C t<sub>c</sub> 150°C

# User Manual

KEEP THIS MANUAL FOR FUTURE NEEDS

# 1 SAFETY INSTRUCTIONS



## CAUTION

Be careful with your operations. With a dangerous voltage you can suffer a dangerous electric shock when touching wires!

This device has left the factory in perfect condition. In order to maintain this condition and to ensure a safe operation, it is absolutely necessary for the user to follow the safety instructions and warning notes written in this user manual.



## IMPORTANT

Damages caused by the disregard of this user manual are not subject to warranty. The dealer will not accept liability for any resulting defects or problems.

If the device has been exposed to temperature changes due to environmental changes, do not switch it on immediately. The arising condensation could damage the device. Leave the device switched off until it has reached room temperature.

This device falls under protection-class I. Therefore it is essential that the device be earthed.

The electric connection must be carried out by a qualified person.

The device shall only be used with rated voltage and frequency.

Make sure that the available voltage is not higher than stated at the end of this manual.

Make sure the power cord is never crimped or damaged by sharp edges. If this would be the case, replacement of the cable must be done by an authorized dealer.

Always disconnect from the mains, when the device is not in use or before cleaning it. Only handle the power cord by the plug. Never pull out the plug by tugging the power cord.

During initial start-up some smoke or smell may arise. This is a normal process and does not necessarily mean that the device is defective, it should decrease gradually.

Please don't project the beam onto combustible substances.

Fixtures cannot be installed on combustible substances, keep more than 50cm distance with wall for smooth air flow, so there should be no shelter for fans and ventilation for heat radiation.

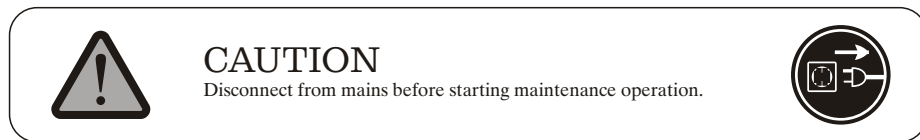
If the external flexible cable or cord of this luminaire is damaged, it shall be exclusively replaced by the manufacturer or his service agent or a similar qualified person in order to avoid a hazard.

## MAINTENANCE AND CLEANING

The following points have to be considered during the inspection:

- 1) All screws for installing the devices or parts of the device have to be tightly connected and must not be corroded.
- 2) There must not be any deformations on the housing, color lenses, fixations and installation spots (ceiling, suspension, trussing).
- 3) Mechanically moved parts must not show any traces of wearing and must not rotate with unbalances.
- 4) The electric power supply cables must not show any damage, material fatigue or sediments.

Further instructions depending on the installation spot and usage have to be adhered by a skilled installer and any safety problems have to be removed.



In order to make the lights in good condition and extend the life time, we suggest a regular cleaning to the lights.

- 1) Clean the inside and outside lens each week to avoid the weakness of the lights due to accumulation of dust.
- 2) Clean the fan each week.
- 3) A detailed electric check by approved electrical engineer each three month, make sure that the circuit contacts are in good condition, prevent the poor contact of circuit from overheating.

We recommend a frequent cleaning of the device. Please use a moist, lint- free cloth. Never use alcohol or solvents.

There are no serviceable parts inside the device. Please refer to the instructions under "Installation instructions".

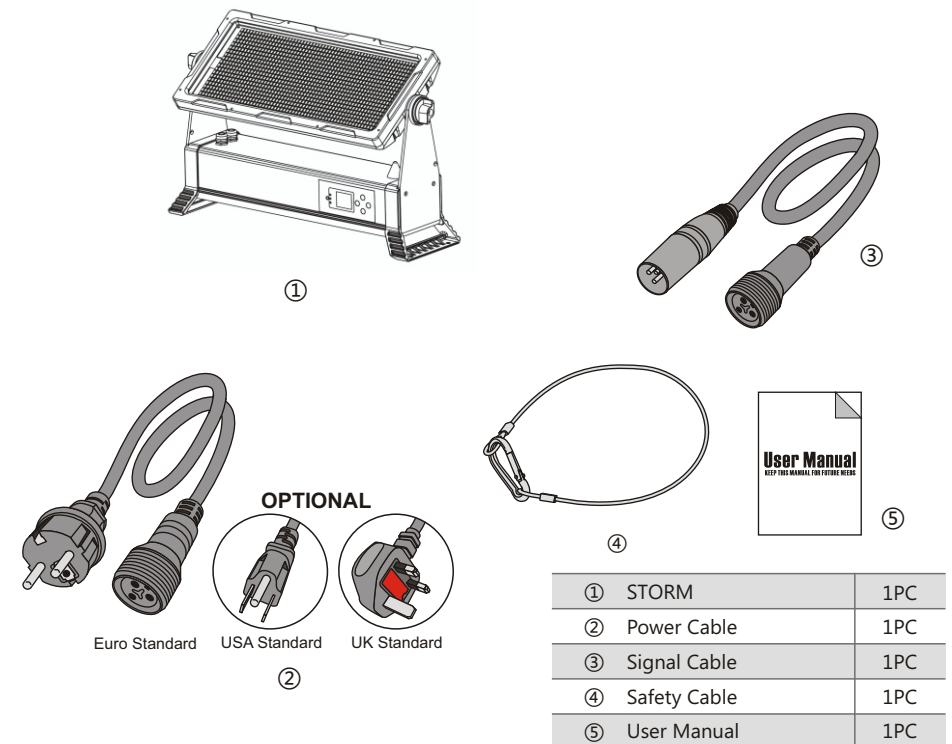
Should you need any spare parts, please order genuine parts from your local dealer.

## 2 UNPACKING

Thank you for choosing our STORM. For your own safety, please read this manual before installing the device. This manual covers the important information on installation and applications. Please install and operate the fixture with following instructions. Meanwhile, please keep this manual well for future needs.

The STORM is made of a new type of high temperature strength of aluminum casing with nice outlook. The fixture designed and manufactured strictly following CE standards, complying with international standard DMX512 protocol. It's available independently controlled and linkable with each other for operation. And it is applicable for large-scale live performances, theater, studio, nightclubs and discos.

The STORM adopts 800PCS 0,5W SMD 3-in-1 LEDs (RGB) which features high brightness and stability. Please carefully unpack it when you receive the fixture and check whether it is damaged during the transportation. And please check whether the following items are included inside the box:



# 3 FEATURES & SPECIFICATIONS

## Features

- 800\*0.5W SMD 3-in-1 LEDs(RGB)
- 16.7Millionsofcolorsmixable
- 50,000hourslifespanandlowerpowerconsumption
- Stunninglightoutputwithhighintensityandhighcolorrenderingindex
- Highefficiency40mmPMMAoptics,15°/25°/55°beamanglesasoptional
- 0-100%Smoothlinearelectronicdimmer
- Flickerfreecontrolcapability
- 25T/shighspeedLEDshutter/strobeeffectwithvariablespeed
- Dynamicmacroeffectwithvariablespeed
- 12Internalcolorrunningprograms,availableforstrobeeffecttogether
- 13DIYinternalcolorrunningprogramswithbackground.foregroundcolors changeable, availableforstrobeeffecttogether
- 4/5/6/10/33/42/56/61 DMXchannelmodes
- DMX512, master-slave and sound activated controllable or auto operation
- Rugged,diecastaluminumalloy,compactandlightweight
- Noisefreenaturalcoolingsystem
- Frontwindowwithtempered glass
- 2Multi-positioningbracketsforfloorprojectionorhangingprojections
- ManualTILTangleadjustment
- 4-ButtonredLEDdisplay
- IP65ratedlockablepowerconnectorsIN/OUT
- IP65ratedlockable3-pinXLRDMXconnectorsIN/OUT
- -40°Cto45°Coperationtemperature
- IP65protectionrating

## Specifications

**Input Voltage:** AC100-240V 50/60Hz

**LED Quantities:** 800PCS 0.5W SMD 3-in-1 LEDs(RGB)

**Control Signal:** DMX512, master-slave and sound activated or auto operation

**Control Channel:** 4/5/6/10/33/42/56/61 DMX Channels

**Power Consumption:** 400W

**Dimensions:** 560×220×304 mm

**Packing Dimensions:** 590×290×400 mm

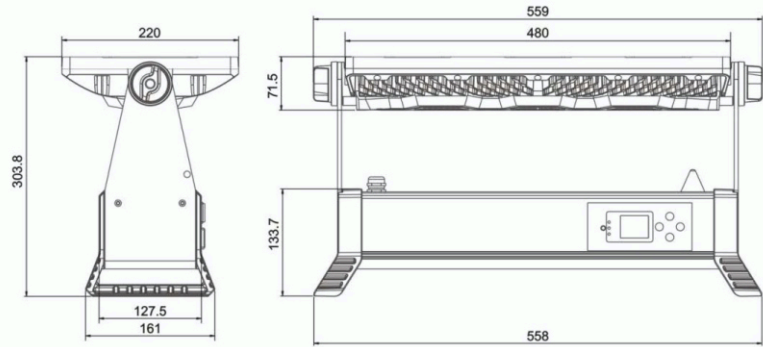
**Net Weight:** 6.96kg

**Gross Weight:** 8.16kg

19	The sixth paragraph light	0-255	Red,linearly dimming, from dark to bright
20	The sixth paragraph light	0-255	Green,linearly dimming, from dark to bright
21	The seventh paragraph light	0-255	Blue,linearly dimming, from dark to bright
22	The seventh paragraph light	0-255	Red,linearly dimming, from dark to bright
23	The seventh paragraph light	0-255	Green,linearly dimming, from dark to bright
24	The eighth paragraph light	0-255	Blue,linearly dimming, from dark to bright
25	The eighth paragraph light	0-255	Blue,linearly dimming, from dark to bright
26	The eighth paragraph light	0-255	Red,linearly dimming, from dark to bright
27	Built-in Program	0-15 16-255	Previous 26 channels can be used; Built-in program
28	Built-in Program speed	0-255	uowards speed will turn slow,(0)the fastest speed.

**28CH Mode**

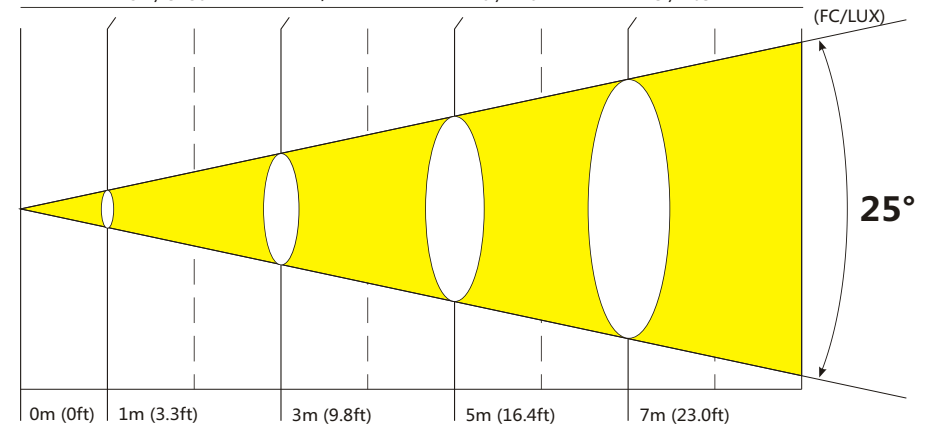
Channel	Function	Value	Description
1	Master Dimming	0-255	Master Dimming linearly dimming, from dark to bright
2	Strobe	0-255	Red, Green, Blue Strobe from slow to fast
3	The first paragraph light Dimming	0-255	Blue,linearly dimming, from dark to bright
4	The first paragraph light Dimming	0-255	Red,linearly dimming, from dark to bright
5	The first paragraph light Dimming	0-255	Green,linearly dimming, from dark to bright
6	The second paragraph light	0-255	Blue,linearly dimming, from dark to bright
7	The second paragraph light	0-255	Red,linearly dimming, from dark to bright
8	The second paragraph light	0-255	Green,linearly dimming, from dark to bright
9	The third paragraph light	0-255	Blue,linearly dimming, from dark to bright
10	The third paragraph light	0-255	Red,linearly dimming, from dark to bright
11	The third paragraph light	0-255	Green,linearly dimming, from dark to bright
12	The fourt paragraph light	0-255	Blue,linearly dimming, from dark to bright
13	The fourt paragraph light	0-255	Red,linearly dimming, from dark to bright
14	The fourt paragraph light	0-255	Green,linearly dimming, from dark to bright
15	The fifth paragraph light	0-255	Blue,linearly dimming, from dark to bright
16	The fifth paragraph light	0-255	Red,linearly dimming, from dark to bright
17	The fifth paragraph light	0-255	Green,linearly dimming, from dark to bright
18	The sixth paragraph light	0-255	Blue,linearly dimming, from dark to bright



## 4 PHOTOMETRIC DATA

■ Photometric Beam Angle Data  $25^\circ$  Beam Angle  $LUX \times 0.0929 = FC$

<b>R</b>	82 / 880	31 / 330	10 / 110	5 / 55
<b>G</b>	153 / 1650	51 / 550	20 / 220	10 / 110
<b>B</b>	132 / 1430	46 / 495	18 / 198	5 / 55
<b>RGB</b>	492 / 5280	92 / 990	40 / 440	15 / 165



## **5 OPERATION INSTRUCTIONS**

- The STORM is for wash effect for on-site decoration purpose.
- Don't turn on the fixture if it's been through severe temperature difference like after transportation because it might damage the light due to the environment changes. So make sure to operate the fixture until it is in normal temperature.
- This light should be keep away from strong shaking during any transportation or movement.
- Don't pull up the light by only the head, or it might cause damages to the mechanical parts.
- Don't expose the fixture in overheat, moisture or environment with too much dust when installing it. And don't lay any power cables on the floor. Or it might cause electronic shock to the people.
- Make sure the installation place is in good safety condition before installing the fixture.
- Make sure to put the safety chain and check whether the screws are screwed properly when installing the fixture.
- Make sure the lens are in good condition. It's recommended to replace the units if there are any damages or severe scratch.
- Make sure the fixture is operated by qualified personnel who knows the fixture before using.
- Keep the original packages if any second shipment is needed.
- Don't try to change the fixtures without any instruction by the manufacturer or the appointed repairing agencies.
- It is not in warranty range if there are any malfunctions from not following the user manual to operate or any illegal operation, like shock short circuit, electronic shock, lamp broke, etc.

7	The third paragraph light Dimming	0-255	Red,linearly dimming, from dark to bright
8	The third paragraph light Dimming	0-255	Green,linearly dimming, from dark to bright
9	The third paragraph light Dimming	0-255	Blue,linearly dimming, from dark to bright
10	The fourt paragraph light Dimming	0-255	Red,linearly dimming, from dark to bright
11	The fourt paragraph light Dimming	0-255	Green,linearly dimming, from dark to bright
12	The fourt paragraph light Dimming	0-255	Blue,linearly dimming, from dark to bright
13	The fifth paragraph light Dimming	0-255	Red,linearly dimming, from dark to bright
14	The fifth paragraph light Dimming	0-255	Green,linearly dimming, from dark to bright
15	The fifth paragraph light Dimming	0-255	Blue,linearly dimming, from dark to bright
16	The sixth paragraph light Dimming	0-255	Red,linearly dimming, from dark to bright
17	The sixth paragraph light Dimming	0-255	Green,linearly dimming, from dark to bright
18	The sixth paragraph light Dimming	0-255	Blue,linearly dimming, from dark to bright
19	The seventh paragraph light Dimming	0-255	Red,linearly dimming, from dark to bright
20	The seventh paragraph light Dimming	0-255	Green,linearly dimming, from dark to bright
21	The seventh paragraph light Dimming	0-255	Blue,linearly dimming, from dark to bright
22	The eighth paragraph light Dimming	0-255	Red,linearly dimming, from dark to bright
23	The eighth paragraph light Dimming	0-255	Green,linearly dimming, from dark to bright
24	The eighth paragraph light Dimming	0-255	Blue,linearly dimming, from dark to bright

## 9 DMX CHANNELS

### 5CH Mode

Channel	Function	Value	Description
1	Master Dimming	0-255	Red, Green, Blue Master Dimming linearly dimming, from dark to bright
2	Strobe	0-255	Red, Green, Blue Strobe from slow to fast
3	Red Dimming	0-255	Red Dimming, linearly dimming, from dark to bright
4	Green Dimming	0-255	Green Dimming, linearly dimming, from dark to bright
5	Blue Dimming	0-255	Blue Dimming, linearly dimming, from dark to bright

### 7CH Mode

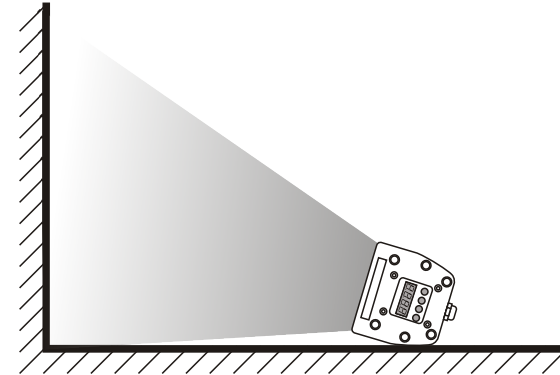
Channel	Function	Value	Description
1	Master Dimming	0-255	Red, Green, Blue Master Dimming linearly dimming, from dark to bright
2	Strobe	0-255	Red, Green, Blue Strobe from slow to fast
3	Red Dimming	0-255	Red Dimming, linearly dimming, from dark to bright
4	Green Dimming	0-255	Green Dimming, linearly dimming, from dark to bright
5	Blue Dimming	0-255	Blue Dimming, linearly dimming, from dark to bright
6	Built-in Program	0-15	previous 5 channel can be used;
		16-255	Built-in Program.
7	Built-in Program Speed	0-255	(0-255)up, speed will turn slow, (0)the fastest speed.

### 24CH Mode

Channel	Function	Value	Description
1	The first paragraph light Dimming	0-255	Red, linearly dimming, from dark to bright
2	The first paragraph light Dimming	0-255	Green, linearly dimming, from dark to bright
3	The first paragraph light Dimming	0-255	Blue, linearly dimming, from dark to bright
4	The second paragraph light Dimming	0-255	Red, linearly dimming, from dark to bright
5	The second paragraph light Dimming	0-255	Green, linearly dimming, from dark to bright
6	The second paragraph light Dimming	0-255	Blue, linearly dimming, from dark to bright

## 6 INSTALLATIONS

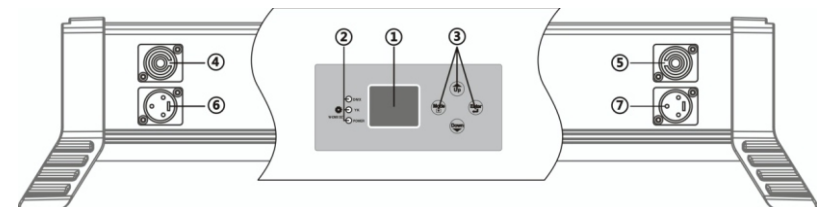
**Wall or architecture projections:** You could just install the Strobe 800 near below the wall, projecting angles adjustable with any angles suitable for on-site requirements.



## 7 DMX-512 CONTROL CONNECTIONS

Connect the provided XLR cable to the female 3-pin XLR output of your controller and the other side to the male 3-pin XLR input of the architectural . You can chain multiple Architectural together through serial linking. The cable needed should be two core, screened cable with XLR input and output connectors. Please refer to the diagram below.

DMX-512 connection with DMX terminator.



① **LCD**: Displays menu options and selected features;

② **LED** indicator light:

<b>DMX</b>	On	When has DMX Signal input
<b>YK</b>	Cool white; Green; Cool blue	Wireless Mode
<b>POWER</b>	On	Power Light

③ **Button** :

<b>MENU</b>	Select Function
<b>DOWN</b>	Select the next menu option
<b>UP</b>	Select the previous menu option
<b>ENTER</b>	Confirm the selected function

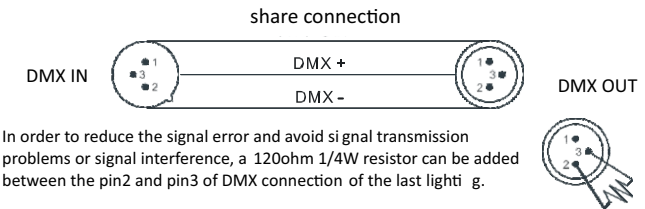
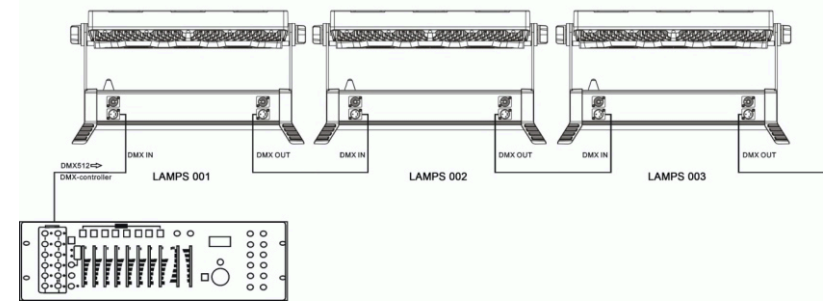
④ **POWERCON** Input: connect lamp to supply power ;

⑤ **POWERCON** Output: connect the next lamp and provide power;

⑥ **DMX** Input: input **DMX** signal using **3-core XLR** signal line;

⑦ **DMX** Output: connect the next lamp with the **3-core XLR** signal line and output the **DMX** signal;

## 8 MENU OPERATIONS



1. Connect the lightning with the XLR signal line, one end receives the outlet of the light, and the other end receives the input port of the next light. XLR signal lines can only be used in series, not in parallel. DMX512 signal transmission is very fast. The signal line is damaged, the welding place is not secure, the contact is not good, it will affect the signal transmission, causing the system to close.
2. When a unit of power supply circuit, DMX output and input is by-pass connection, so that can continue to maintain the DMX line connected.
3. On the last light, the DMX wire needs an amplifier. Welding a 120 - ohm quarter w resistor between pin2 and pin3, within XLR plugs into 3 - pin and insert it in the end of a light DMX.
4. Each light, want to have an address to receive information from the console, range between 0-127 (usually 0 and 1 and 1 equal).
5. The 3-core XLR connector is more common than the 5-core XLR.

3 core XLR: PIN 1: GND, PIN 2: negative signal, PIN 3: positive signal.

5 core XLR: PIN 1: GND, PIN 2: negative signal, PIN 3: positive signal, Pin4/5: unused.