

AXCOR PROFILE 600 HC

EN PHOTOMETRIC DIAGRAMS

ES DIAGRAMAS FOTOMÉTRICOS

IT DIAGRAMMI FOTOMETRICI

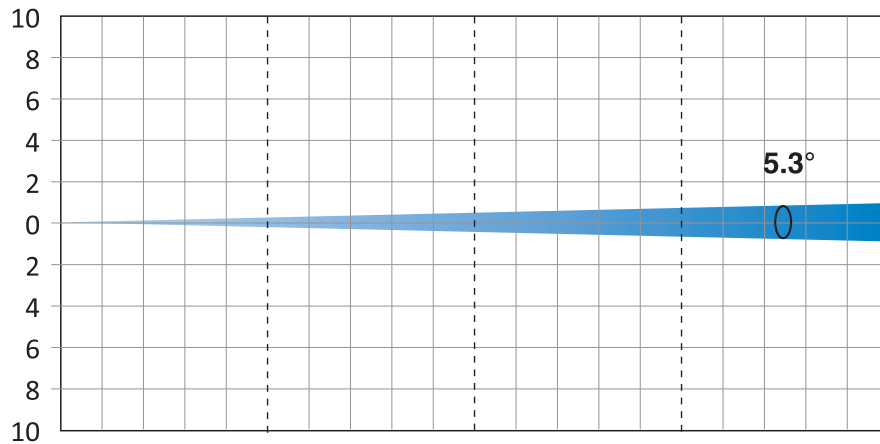
FR DIAGRAMMES PHOTOMETRIQUES

DE FOTOMETRISCHE DIAGRAMME

Minimum Zoom, Standard mode (5.3°)

Total Output: 4900 lumens

lux (fc) 0 56408 (5240) 14102 (1310) 6268 (582) 3526 (328)

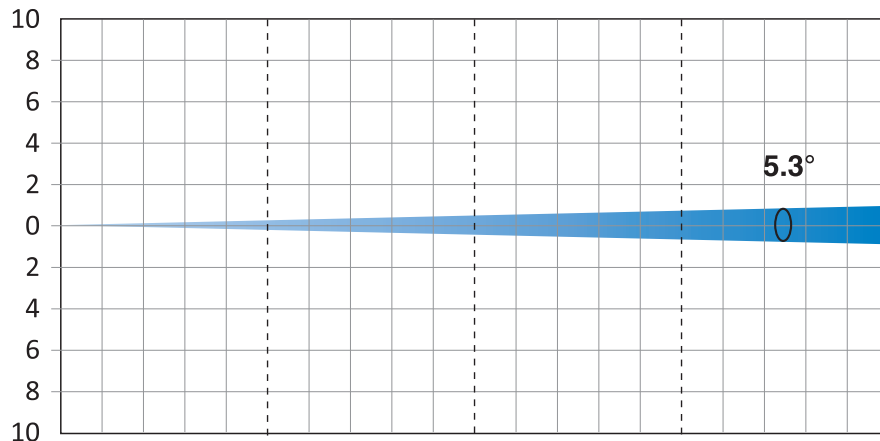


Distance	m (ft in)	0	5 (16' 5")	10 (32' 10")	15 (49' 3")	20 (65' 7")
Diameter	m (ft in)	0	0.46 (1' 6")	0.92 (3' 0")	1.38 (4' 6")	1.84 (6' 0")

Minimum Zoom, Boost mode (5.3°)

Total Output: 5600 lumens

lux (fc) 0 66856 (6211) 16714 (1553) 7428 (690) 4179 (388)



Distance	m (ft in)	0	5 (16' 5")	10 (32' 10")	15 (49' 3")	20 (65' 7")
Diameter	m (ft in)	0	0.46 (1' 6")	0.92 (3' 0")	1.38 (4' 6")	1.84 (6' 0")

AXCOR PROFILE 600 HC

EN PHOTOMETRIC DIAGRAMMS

ES DIAGRAMAS FOTOMÉTRICOS

IT DIAGRAMMI FOTOMETRICI

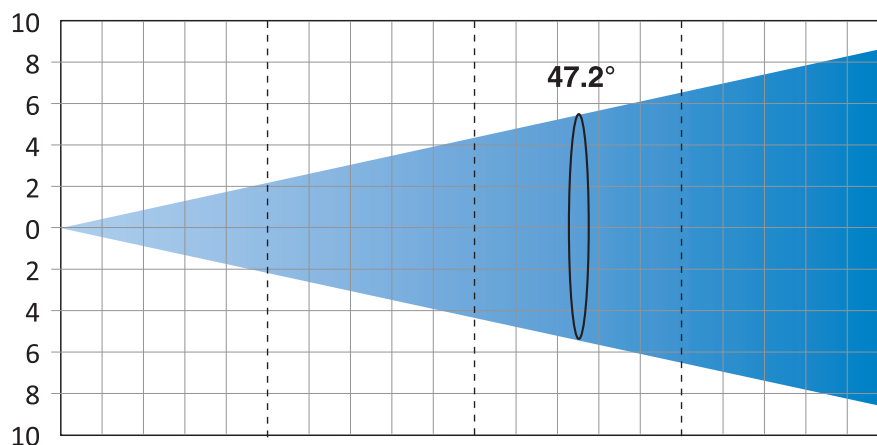
FR DIAGRAMMES PHOTOMETRIQUES

DE FOTOMETRISCHE DIAGRAMME

Maximum Zoom, Standard mode (47.2°)

Total Output: 12400 lumens

lux (fc) 0 1693 (157) 423 (39.3) 188 (17.5) 106 (9.83)

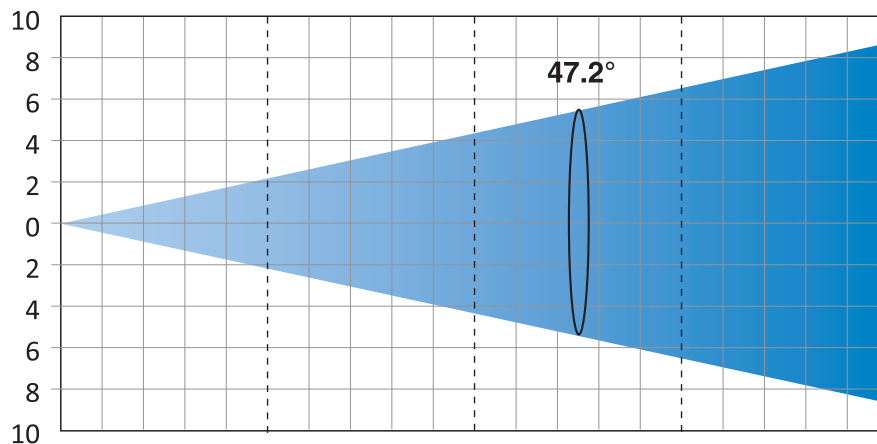


Distance	m (ft in)	0	5 (16' 5'')	10 (32' 10'')	15 (49' 3'')	20 (65' 7'')
Diameter	m (ft in)	0	4.37 (14' 4'')	8.73 (28' 8'')	13.10 (43' 0'')	17.47 (57' 4'')

Maximum Zoom, Boost mode (47.2°)

Total Output: 14300 lumens

lux (fc) 0 2023 (188) 506 (47) 225 (20.9) 126 (11.7)



Distance	m (ft in)	0	5 (16' 5'')	10 (32' 10'')	15 (49' 3'')	20 (65' 7'')
Diameter	m (ft in)	0	4.37 (14' 4'')	8.73 (28' 8'')	13.10 (43' 0'')	17.47 (57' 4'')