

BLUR 3715 B-EYE



CE   IP20 t_a 40°C t_c 150°C

User Manual

KEEP THIS MANUAL FOR FUTURE NEEDS

1 SAFETY INSTRUCTIONS



CAUTION

Be careful with your operations. With a dangerous voltage you can suffer a dangerous electric shock when touching wires!

This device has left the factory in perfect condition. In order to maintain this condition and to ensure a safe operation, it is absolutely necessary for the user to follow the safety instructions and warning notes written in this user manual.



IMPORTANT

Damages caused by the disregard of this user manual are not subject to warranty. The dealer will not accept liability for any resulting defects or problems.

If the device has been exposed to temperature changes due to environmental changes, do not switch it on immediately. The arising condensation could damage the device. Leave the device switched off until it has reached room temperature.

This device falls under protection-class I. Therefore it is essential that the device be earthed.

The electric connection must carry out by qualified person.

The device shall only be used with rate voltage and frequency.

Make sure that the available voltage is not higher than stated at the end of this manual.

Make sure the power cord is never crimped or damaged by sharp edges. If this would be the case, replacement of the cable must be done by an authorized dealer.

Always disconnect from the mains, when the device is not in use or before cleaning it. Only handle the power cord by the plug. Never pull out the plug by tugging the power cord.

During initial start-up some smoke or smell may arise. This is a normal process and does not necessarily mean that the device is defective, it should decrease gradually.

Please don't project the beam onto combustible substances.

Fixtures cannot be installed on combustible substances, keep more than 50cm distance with wall for smooth air flow, so there should be no shelter for fans and ventilation for heat radiation.

If the external flexible cable or cord of this luminaire is damaged, it shall be exclusively replaced by the manufacturer or his service agent or a similar qualified person in order to avoid a hazard.

10 MAINTENANCE AND CLEANING

The following points have to be considered during the inspection:

- 1) All screws for installing the devices or parts of the device have to be tightly connected and must not be corroded.
- 2) There must not be any deformations on the housing, color lenses, fixations and installation spots (ceiling, suspension, trussing).
- 3) Mechanically moved parts must not show any traces of wearing and must not rotate with unbalances.
- 4) The electric power supply cables must not show any damage, material fatigue or sediments.

Further instructions depending on the installation spot and usage have to be adhered by a skilled installer and any safety problems have to be removed.



CAUTION

Disconnect from mains before starting maintenance operation.



In order to make the lights in good condition and extend the life time, we suggest a regular cleaning to the lights.

- 1) Clean the inside and outside lens each week to avoid the weakness of the lights due to accumulation of dust.
- 2) Clean the fan each week.
- 3) A detailed electric check by approved electrical engineer each three month, make sure that the circuit contacts are in good condition, prevent the poor contact of circuit from overheating.

We recommend a frequent cleaning of the device. Please use a moist, lint-free cloth. Never use alcohol or solvents.

There are no serviceable parts inside the device. Please refer to the instructions under "Installation instructions".

Should you need any spare parts, please order genuine parts from your local dealer.

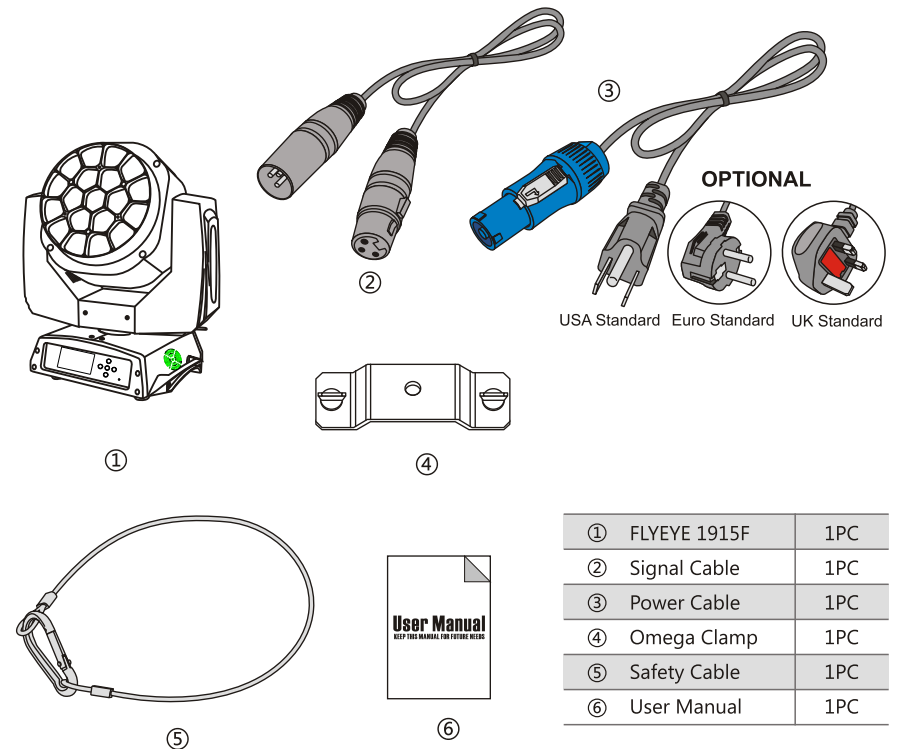
/	35	/	/	35	Background select	108	Slow pulsation (0,5 flash/sec)
						109-207	Fast pulsation (25 flash/sec)
						208-212	Open
						213-225	Random slow strobe
						0-255	Background select
	22	22	36	Red LED 1	0-255	0-100%Red LED linear dimmer	
	23	23	37	Green LED 1	0-255	0-100%Green LED linear dimmer	
	24	24	38	Blue LED 1	0-255	0-100%Blue LED linear dimmer	
	/	25	/	White LED 1	0-255	0-100%White LED linear dimmer	
	Red LED ...	0-255	0-100%Red LED linear dimmer	
	Green LED ...	0-255	0-100%Green LED linear dimmer	
	Blue LED ...	0-255	0-100%Blue LED linear dimmer	
	/	...	/	White LED ...	0-255	0-100%White LED linear dimmer	
	76	94	90	Red LED 19	0-255	0-100%Red LED linear dimmer	
	77	95	91	Green LED 19	0-255	0-100%Green LED linear dimmer	
78	96	92	Blue LED 19	0-255	0-100%Blue LED linear dimmer		
/	97	/	White LED 19	0-255	0-100%White LED linear dimmer		

2 UNPACKING

Thanks for choosing fixture BLUR 3715 B-EYE . For your own safety, please read this manual before installing the device. This manual covers the important information on installation and applications. Please install and operate the fixture with following instructions. Meanwhile, please keep this manual well for future needs.

The |3715 B-EYE is made of a new type of high temperature strength of engineering plastics and cast aluminum casing with nice outlook. The fixture is designed and manufactured strictly following CE standards, complying with international standard DMX512 protocol. It's available independently controlled and linkable with each other for operation. And it is applicable for large-scale live performances, theater, studio, nightclubs and discos.

The 3715 B-EYE adopts 37x15W OSRAM OSTAR 4-IN-1 RGBW LEDs which features high brightness and stability. Please carefully unpack it when you receive the fixture and check whether it is damaged during the transportation. And please check whether the following items are included inside the box:



3 FEATURES & SPECIFICATIONS

Features

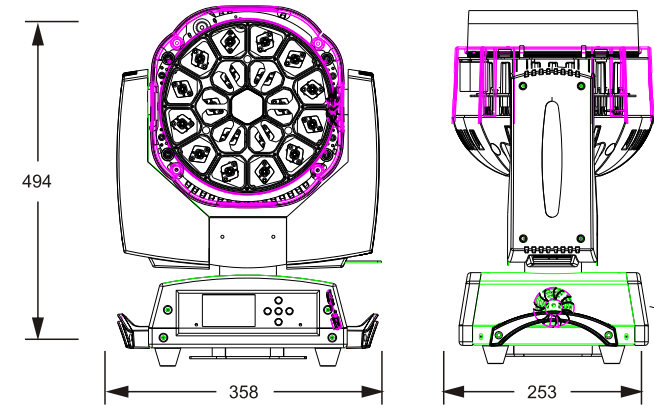
- 37x15WOSRAM OSTAR 4-IN-1 RGBW LEDs
- 50000 hours life span and low power consumption
- Each color and each LED controllable individually
- 8/16 bit smooth and precise resolution for PAN/TILT movement
- Scan position memory, auto reposition after unexpected movement
- Specific high precision optic lens
- Variable direction rotating front lens
- 4°-60°Smooth electronic linear zoom
- Brilliant hard beam effects at 4°
- Pure and even wash coverage effects at 60°
- Petal-like micro beam effects
- Pixel patterning macro effects
- Built-in running programs
- Built-in color and graphic effect macros
- 0-100% linear LED dimmer
- 1-25T/sec high speed LED shutter/strobe effect with variable speed
- Preset variable/random strobe and dimming pulse effect
- Art-Net,King-Net,DMX
- 21/35/78/92/97 DMX channels USITT DMX-512
- DMX512, master-slave, and sound activated controllable or auto operation
- DMX recorder and edit function integrated
- High resolution graphic LCD display
- POWERCON connector IN/OUT
- 3-pin XLR connectors IN/OUT
- Aluminium structure with die-cast plastic cover
- Two side handles for transportation
- PAN lock for transport and maintenance
- High efficiency low noise cooling system
- Constant temperature readout and management function
- 45°C max ambient temperature
- IP20 protection rating
- 55dB at 3'dB rating
- 2*1/4 turn fastening Omega clamp
- 1*Safety attachment point

Specifications

- Input Voltage:** AC90-260V 50/60Hz
LED Quantities: 37x15WOSRAM OSTAR 4-IN-1 RGBW LEDs
Control Signal: DMX512, master-slave and sound activated or auto operation
Control protocols: Art-Net,King-Net,DMX
Control Channel: 21/35/78/92/97 DMX channels USITT DMX-512
Power Consumption: 450W
Dimensions: 253(D)*358(W)*494(H)mm
Packing Dimensions: 333(D)*438(W)*564(H)mm
Net Weight: 15kg
Gross Weight: 17kg

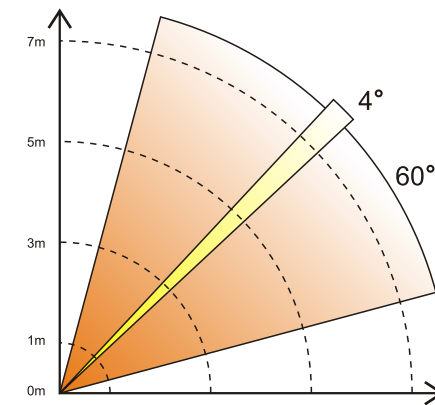
						28	Two rotating arcs of different colors
						29	Two rotating arcs of different colors and direction
						30-255	Reserved
/	23	/	/	23	Shape speed	0-63	Radius size,static
						64-158	Max to min speed,closing effect
						159-160	Stop
						161-255	Min to max
/	24	/	/	24	Shape fade	0-5	Snap
						16	Smooth,fading cure gamma 0,5
						17	Smooth,fading cure gamma 0,506
						18	Smooth,fading cure gamma 0,513
						19-244	Smooth,fading cure gamma 1,993
						243	Smooth,fading cure gamma 1,986
						245	Smooth,fading cure gamma 2
						246-255	Smooth,fading cure with automatic gamma
/	25	/	/	25	Shape R	0-255	0-100% Shape Red
/	26	/	/	26	Shape G	0-255	0-100% Shape Green
/	27	/	/	27	ShapeB	0-255	0-100% Shape Blue
/	28	/	/	28	Shape W	0-255	0-100% Shape White
/	29	/	/	29	Shape dimmer	0-255	0-100% shape dimmer
/	30	/	/	30	Background dimmer	0-255	0-100% background dimmer
/	31	/	/	31	Shape transition	0-4	No fade
						5	100ms
						6-73	0,5sec
						74-113	1sec
						114-171	2sec
						172-216	3sec
						217-255	4sec
/	32	/	/	32	Shape offset	0-9	Continuous
						10-255	Random distribution of flash from 2to 20 fixtures
/	33	/	/	33	Foreground strobe	0-3	Colsed
						4	Slow strobe(1flash/sec)
						5-103	Fast strobe(25 flash/sec)
						104-107	Open
						108	Slow pulsation (0,5 flash/sec)
						109-207	Fast pilsation (25 flash/sec)
						208-212	Open
						213-225	Random slow strobe
/	34	/	/	34	Background strobe	0-3	Colsed
						4	Slow strobe(1flash/sec)
						5-103	Fast strobe(25 flash/sec)
						104-107	Open

						226-238	Random medium strobe
						239-251	Random fast strobe
						252-255	Open
12	12	12	12	12	Dimmer	0-255	0-100% Linear dimmer
13	13	13	13	13	Dimmer Fine	0-255	Fine control of dimmer
14	14	14	14	14	PAN	0-255	0~540° PAN movement
15	15	15	15	15	PAN Fine	0-255	Fine control of PAN
16	16	16	16	16	TILT	0-255	0~230° TILT movement
17	17	17	17	17	TILT Fine	0-255	Fine control of TILT
18	18	18	18	18	No Function		
19	19	19	19	19	Reset	0-25	No Function
						26	Zoom reset
						27-76	Zoom reset
						77	Pan/Tilt reset
						78-127	Pan/Tilt reset
						128	Complete reset
129-255	Complete reset						
20	20	20	20	20	Zoom	0-255	0-100% Linear zoom
21	21	21	21	21	Zoom Rotation	0-127	Linear rotation
						128-190	Slow rotation
						191-192	Stop
						193-255	Slow rotation
/	22	/	/	22	Shape Selection	0-7	Macro OFF
						8	Ring 1
						9	Ring 2
						10	Ring 3
						11	No function
						12	Ring 1+2
						13	Ring 1+3
						14	No function
						15	Ring opening (closing)
						16	Ring opening (closing)/filled
						17	Ring opening (closing/open)
						18	Ring opening (closing/open)/filled
						19	Random pixels distributed on many fixtures
						20	Random pixels with variable density and speed
						21	Rainbow 1 Variable speed
						22	Rainbow 2 fixed speed with variable color offset
						23	Fan (3 ams)
						24	Bar (2 ams)
						25	Half moon
						26	Triangle
						27	Two rotating bars of different colors



4 PHOTOMETRIC DATA

PHOTOMETRIC BEAM ANGLE DATA (FC=LUX × 0.0929)



< 4° >

R	9850	3390	1710	870
G	13200	4110	1870	1040
B	23740	6860	2860	1450
W	19230	5370	2640	1520
RGBW	53210	18970	7890	4370

< 60° >

R	2610	280	110	50
G	3040	320	120	60
B	4800	590	180	100
W	4520	410	165	90
RGBW	13950	1550	520	280

5 OPERATION INSTRUCTIONS

- The | BLUR 3715 is for beam effect for on-site decoration purpose.
- Don't turn on the fixture if it's been through severe temperature difference like after transportation because it might damage the light due to the environment changes. So make sure to operate the fixture until it is in normal temperature.
- This light should be keep away from strong shaking during any transportation or movement.
- Don't pull up the light by only the head, or it might cause damages to the mechanical parts.
- Don't expose the fixture in overheat, moisture or environment with too much dust when installing it. And don't lay any power cables on the floor. Or it might cause electronic shock to the people.
- Make sure the installation place is in good safety condition before installing the fixture.
- Make sure to put the safety chain and check whether the screws are screwed properly when installing the fixture.
- Make sure the lens are in good condition. It's recommended to replace the units if there are any damages or severe scratch.
- Make sure the fixture is operated by qualified personnel who knows the fixture before using.
- Keep the original packages if any second shipment is needed.
- Don't try to change the fixtures without any instruction by the manufacturer or the appointed repairing agencies.
- It is not in warranty range if there are any malfunctions from not following the user manual to operate or any illegal operation, like shock short circuit, electronic shock, lamp broke, etc.

6 INSTALLATIONS

Cautions: For added protection mount the fixtures in areas outside walking paths, seating areas, or in areas where the fixture might be reached by unauthorized personnel.

Before mounting the fixture to any surface, make sure that the installation area can hold a minimum point load of 10 times the device's weight.

Fixture installation must always be secured with a secondary safety attachment, such as an appropriate safety cable.

							115-116	Orange
							117	Light Rose
							118	English Rose
							119	Light Salmon
							120	Middle Rose
							121-122	Dark Pink
							123-124	Magenta
							125	Peacock Blue
							126	Med Blu Green
							127	Steel Blue
							128	Light Blue
							129-130	Dark Blue
							131-133	Leaf Green
							134-135	Dark Green
							136-137	Mauve
							138-141	Bright Pink
							142-144	Medium Blue
							145	Deep Golden Amber
							146	Pale Lavender
							147-148	Special lavender
							149-150	Primary Green
							151-156	Bright Blue
							157-161	Apricot
							162-167	Pale Gold
							168-171	Deep Orange
							172-173	Bastard Amber
							174	Flame Red
							175-178	Daylight Blue
							179	Lilac Tint
							180-183	Deep lavender
							184-190	Dark Steel Blue
							191-206	Congo Blue
							207	Alice Blue
							208	Dirty White
							209-255	White
11	11	11	11	11		Strobe	0-3	Colsed
							4	Slow strobe(1flash/sec)
							5-103	Fast strobe(25 flash/sec)
							104-107	Open
							108	Slow pulsation (0,5 flash/sec)
							109-207	Fast pulsation (25 flash/sec)
							208-212	Open
							213-225	Random slow strobe

9 DMX CHANNELS

21CH	35CH	78CH	97CH	92CH	Function	Values	Description	
1	1	1	1	1	Red	0-255	0-100% Linear red dimmer	
2	2	2	2	2	Red Fine	0-255	Fine control of red	
3	3	3	3	3	Green	0-255	0-100% Linear green dimmer	
4	4	4	4	4	Green Fine	0-255	Fine control of green	
5	5	5	5	5	Blue	0-255	0-100% Linear blue dimmer	
6	6	6	6	6	Blue Fine	0-255	Fine control of blue	
7	7	7	7	7	White	0-255	0-100% Linear white dimmer	
8	8	8	8	8	White Fine	0-255	Fine control of white	
9	9	9	9	9	Linear CTO	0-10	NO Function	
						11-255	Linear color temperature from 2500K-8000K	
						0-09	Macro color OFF	
						10	Red	
						11	Green	
						12	Blue	
						13	Cyan	
						14	Yellow	
						15	Magenta	
						16	White 7000 K	
						17	White 3700 K	
						18	White 5000 K	
						19	Black	
						020-022	Medium Yellow	
						023-026	Straw Tint	
						027-028	Surprise Peach	
10	10	10	10	10	Macro Color	29	Fire	
							30	Medium Amber
							31	Gold Amber
							032-034	Dark Amber
							035-044	Sunrise Red
							45	Light Pink
							046-048	Medium Pink
							049-061	Pink Carnation
							062-067	Light Lavender
							068-077	Lavender
							078-088	Sky Blue
							089-099	Just Blue
							100-109	Dark yellow green
							110-111	Spring Yellow
							112	Light Amber
							113	Straw
							114	Deep Amber

Never stand directly below the device when mounting, removing, or servicing the fixture.

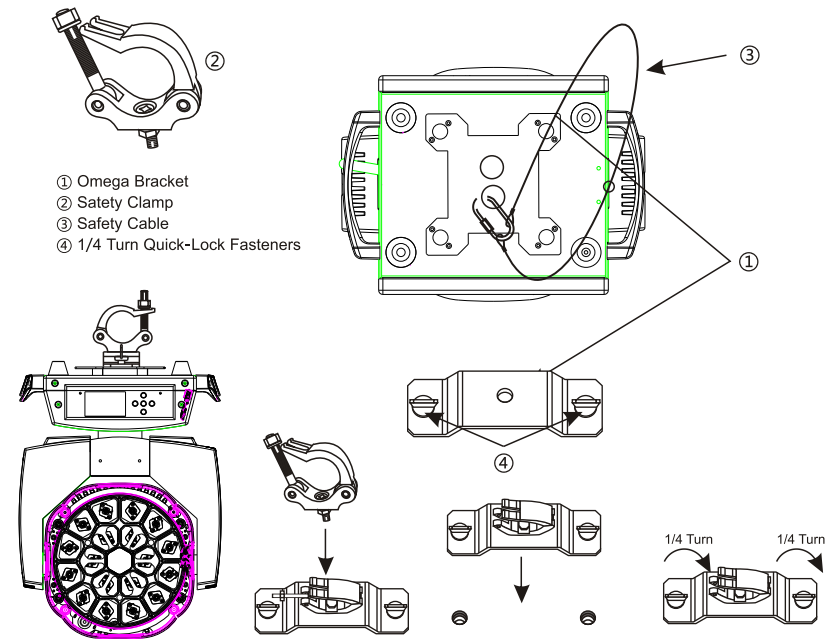
from a ceiling, or set on a flat level surface (see illustration below). Be sure this fixture is kept at least 0.5m (1.5 ft) away from any flammable materials (decoration etc.).

Always use and install the supplied safety cable as a safety measure to prevent accidental damage and/or injury in the event the clamp fails.

Mounting points: Overhead mounting requires extensive experience, including amongst others calculating working load limits, a fine knowledge of the installation material being used, and periodic safety inspection of all installation material and the fixture. If you lack these qualifications, do not attempt the installation yourself. Improper installation can result in bodily injury.

Be sure to complete all rigging and installation procedures before connecting the main power cord to the appropriate wall outlet.

Clamp Mounting: BLUR 3715 provides a unique mounting bracket assembly that integrates the bottom of the base, and the safety cable rigging point in one unit (see the illustration below). When mounting this fixture to truss be sure to secure an appropriately rated clamp to the included omega bracket using a M10 screw fitted through the center hole of the "omega bracket". As an added safety measure be sure to attached at least one properly rated safety cable to the fixture using on of the safety cable rigging point integrated in the base assembly.



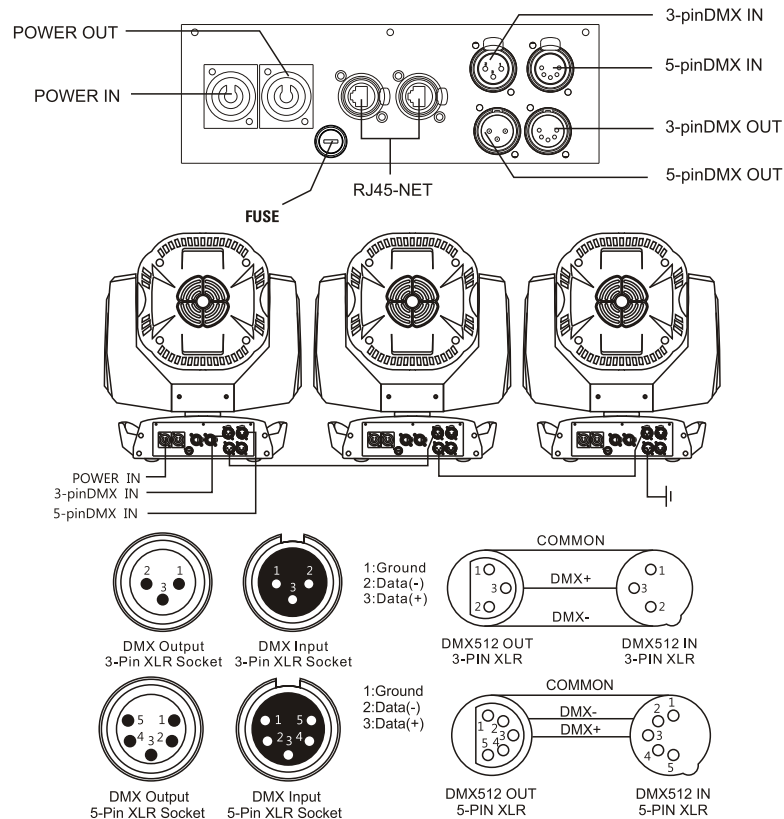
Regardless of the rigging option you choose for your FLYEYE 1915F, always be sure to secure your fixture with a safety cable. The fixture provides a built-in rigging point for a safety cable on the hanging bracket as illustrated above. Be sure to only use the designated rigging point for the safety cable and never secure a safety cable to a carrying handle.

7 DMX-512 CONTROL CONNECTIONS

Connect the provided XLR cable to the female 3-pin XLR output of your controller and the other side to the male 3-pin XLR input of the moving head. You can chain multiple

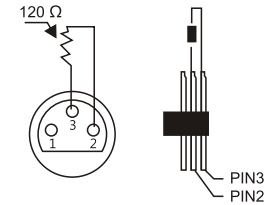
Moving head together through serial linking. The cable needed should be two core, screened cable with XLR input and output connectors. Please refer to the diagram below.

DMX-512 connection with DMX terminator



8 MENU OPERATIONS

MENU	Address	(001-512)		
	Intro	Reset	NO	
YES				
Run		DMX512		
		Artnet		
		Auto1		
		Auto2		
		Sound 1		
		Slave		
Users mode	Standard			
	Shapes			
	Extended			
	Extended rgbw			
	Full			
Test	All			
	Pan&Tilt			
	LED			
Set	Fan control	Auto		
		High		
		Low		
	Disp.setting	Shut off time	02-60m	
		Flip display	ON/OFF	
		Key lock	ON/OFF	
		Disp flash	ON/OFF	
	Pan	Normal		
		Reverse		
	Tilt	Normal		
		Reverse		
	Info	Time Info	Power on	xxx(House)
Ttl Life Hrs			xxx(House)	
Last Run Hrs			xxx(House)	
Temp Info		Head Temp		
Software Ver		Vxx		



For installations where the DMX cable has to run a long distance or is in an electrically noisy environment, such as in a discotheque, it is recommended to use a DMX terminator. This helps in preventing corruption of the digital control signal by electrical noise. The DMX terminator is simply an XLR plug with a 120 Ω resistor connected between pins 2 and 3, which is then plugged into the output XLR socket of the last fixture in the chain. Please see illustrations below.