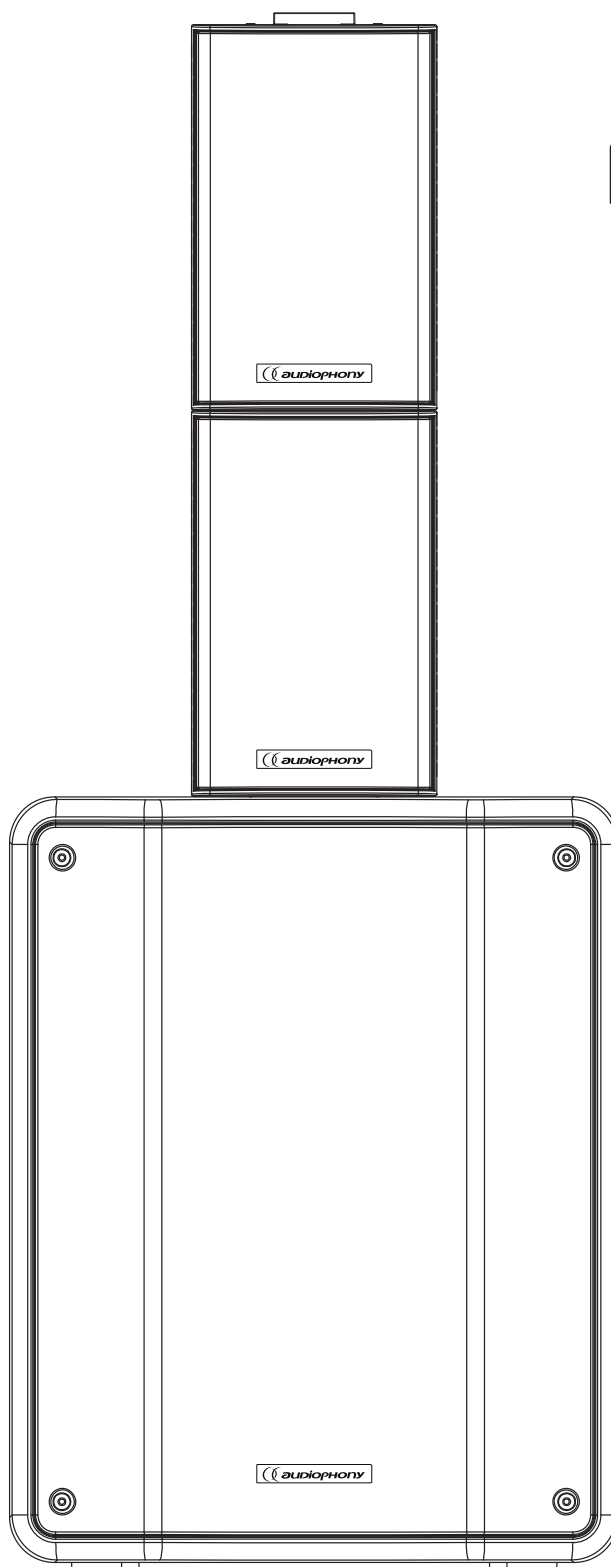
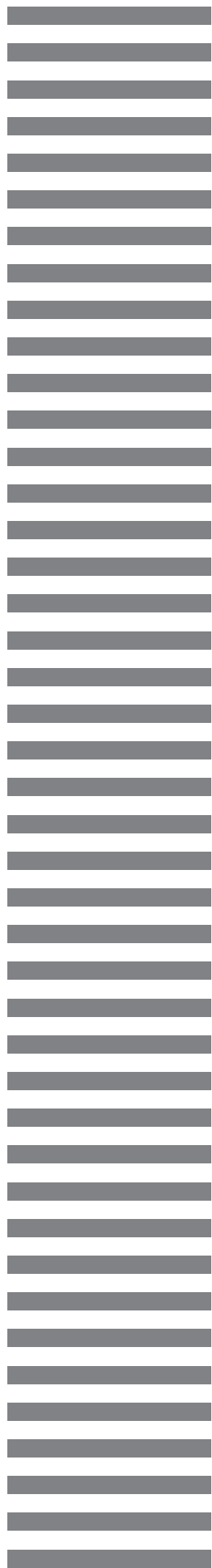


**1020W Amplified system with subwoofer and satellites + DSP and Application**



**FX**



# MOJO<sub>1042</sub>APP

**USER GUIDE**

H10982 - Version 1 / 07-2019

# 1 - Safety information

## Important safety information



This unit is intended for indoor use only. Do not use it in a wet, or extremely cold/hot locations. Failure to follow these safety instructions could result in fire, electric shock, injury, or damage to this product or other property.



Any maintenance procedure must be performed by a CONTEST authorised technical service. Basic cleaning operations must thoroughly follow our safety instructions.



This product contains non-isolated electrical components. Do not undertake any maintenance operation when it is switched on as it may result in electric shock.

## Symbols used



This symbol signals an important safety precaution.



The WARNING symbol signals a risk to the user's physical integrity. The product may also be damaged.



The CAUTION symbol signals a risk of product deterioration.

## Instructions and recommendations

### 1 - Please read carefully :

We strongly recommend to read carefully and understand the safety instructions before attempting to operate this unit.

### 2 - Please keep this manual :

We strongly recommend to keep this manual with the unit for future reference.

### 3 - Operate carefully this product :

We strongly recommend to take into consideration every safety instruction.

### 4 - Follow the instructions:

Please carefully follow each safety instruction to avoid any physical harm or property damage.

### 5 - Avoid water and wet locations :

Do not use this product in rain, or near washbasins or other wet locations.

### 6 - Installation :

We strongly encourage you to only use a fixation system or support recommended by the manufacturer or supplied with this product. Carefully follow the installation instructions and use the adequate tools.

Always ensure this unit is firmly fixed to avoid vibration and slipping while operating as it may result in physical injury.

### 7 - Ceiling or wall installation :

Please contact your local dealer before attempting any ceiling or wall installation.

### 8 - Ventilation :

The cooling vents ensure a safe use of this product, and avoid any overheating risk. Do not obstruct or cover these vents as it may result in overheating and potential physical injury or product damage. This product should never be operated in a closed non-ventilated area such as a flight case or a rack, unless cooling vents are provided for the purpose .

### 9 - Heat exposure :

Sustained contact or proximity with warm surfaces may cause overheating and product damages. Please keep this product away from any heat source such as a heaters, amplifiers, hot plates, etc...

**CAUTION**

**RISK OF ELECTRIC SHOCK**

**DO NOT OPEN**

**WARNING :** This unit contains no user-serviceable parts. Do not open the housing or attempt any maintenance by yourself. In the unlikely even your unit may require service, please contact your nearest dealer.

In order to avoid any electrical malfunction, please do not use any multi-socket, power cord extension or connecting system without making sure they are perfectly isolated and present no defect.

**Sound levels**

Our audio solutions deliver important sound pressure levels (SPL) that can be harmful to human health when exposed during long periods. Please do not stay in close proximity of operating speakers.

**Recycling your device**

- As HITMUSIC is really involved in the environmental cause, we only commercialise clean, ROHS compliant products.
- When this product reaches its end of life, take it to a collection point designated by local authorities. The separate collection and recycling of your product at the time of disposal will help conserve natural resources and ensure that it is recycled in a manner that protects human health and the environment.

### 10 - Electric power supply :

This product can only be operated according to a very specific voltage. These information are specified on the label located at the rear of the product.

### 11 - Power cords protection:

Power-supply cords should be routed so that they are not likely to be walked on or pinched by items placed upon or against them, paying particular attention to cords at lugs, convenience receptacles and the point where they exit from the fixture.

### 12 - Cleaning precautions :

Unplug the product before attempting any cleaning operation. This product should be cleaned only with accessories recommended by the manufacturer. Use a damp cloth to clean the surface. Do not wash this product.

### 13 - Long periods of non use :

Disconnect the unit's main power during long periods of non use.

### 14 - Liquids or objects penetration :

Do not let any object penetrate this product as it may result in electric shock or fire. Never spill any liquid on this product as it may infiltrate the electronic components and result in electric shock or fire.

### 15 - This product should be serviced when :

Please contact the qualified service personnel if :

- The power cord or the plug has been damaged.
- Objects have fallen or liquid has been spilled into the appliance.
- The appliance has been exposed to rain or water.
- The product does not appear to operate normally.
- The product has been damaged.

### 16 - Inspection/maintenance :

Please do not attempt any inspection or maintenance by yourself. Refer all servicing to qualified personnel.

### 17 - Operating environment :

Ambient temperature and humidity: +5 - +35°C, relative humidity must be less than 85% (when cooling vents are not obstructed).

Do not operate this product in a non-ventilated, very humid or warm place.

## 2 - Technical specifications

### SATELLITE

Power	80W RMS - 160W max
Frequency response	155Hz -22KHz
Sensitivity(1W@1m)	93 dB
Max. SPL (@1m)	120 dB
Nominal impedance	8 Ohms
Boomer	4.75"
Tweeter	1" compression
Dispersion	90° x 45° (HxV)
Connector	1 x Jack
Fixation system	1 x M6 insert and 18 mm mounting plate
Dimensions	225 x 140 x 110 mm
Net weight	1.9 kg

### SUBWOOFER

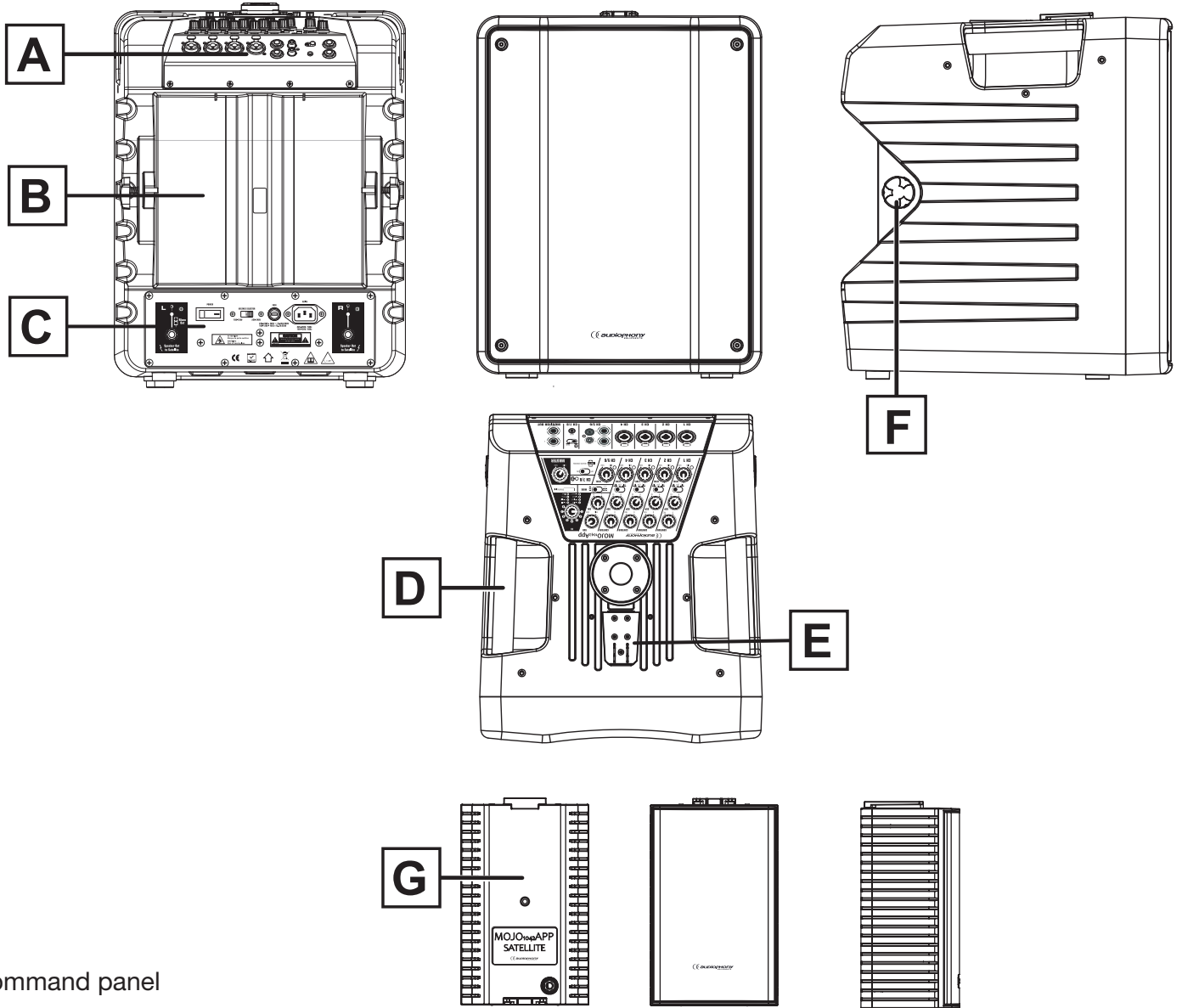
Power	350W RMS - 700W max
Frequency response	50 - 160Hz
Sensitivity(1W@1m)	90 dB
Max. SPL (@1m)	120 dB
Boomer	10"
Fixation system	1 x 25 mm mounting plate (on top)
Dimensions	345 x 450 x 400 mm
Net weight	14.5 kg

### AMPLIFICATION

Low frequencies	1 x 350W RMS / Class D - 4 Ohms
Mid/High frequencies	2 x 80W RMS / class D - 8 Ohms
Inputs	CH1/4 : Combo XLR/Jack Micro/Guitar/Line CH5/6 :Jack L/R + RCA line CH7/8 : Jack 3.5 stereo AUX + Bluetooth®
Outputs	2 x Jack L/R monitor out line output for external amp 2 x Jack for satellites
DSP	8 effects, contour
Bluetooth®	Audio streaming
APP	MOJO control LEVEL/BAL/REV/EQ/COMP
Sub	Subwoofer volume settings
Balance	Left / right balance adjustment

### 3 - Presentation

#### 3-1 Overview



A - Command panel

B - Satellites compartment

C - Power supply and satellites connectors zone

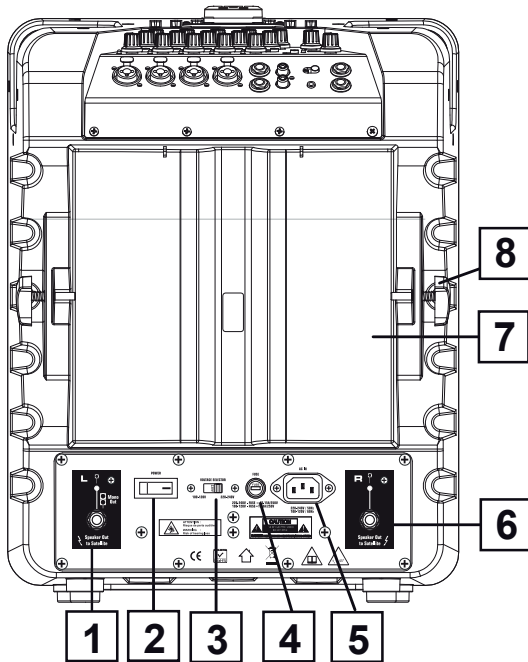
D - Transport handle

E - Male audio contact slot

F - Satellites clamping knob

G - Satellite

**A- Rear view**



1 - Satellite output for either a stereo left satellite or two mono satellites.



**CAUTION: only the MOJO10402APP satellites can be connected via this output.**

2- Power switch

3 - Voltage selector: Allows you to adapt the voltage of the amplifier to the voltage of the electrical outlet.

4 - Fuse: Protects the power supply module and the built-in amplifier.

If need to replace the fuse, please make sure the new fuse has exactly the same characteristics.

5- Power input socket: Allows you to connect the speaker to an electrical outlet. Use the supplied IEC cord, and make sure the voltage delivered by the outlet is in adequation with the value indicated by the voltage selector before turning on the built-in amplifier.

6- Output for stereo right satellite.

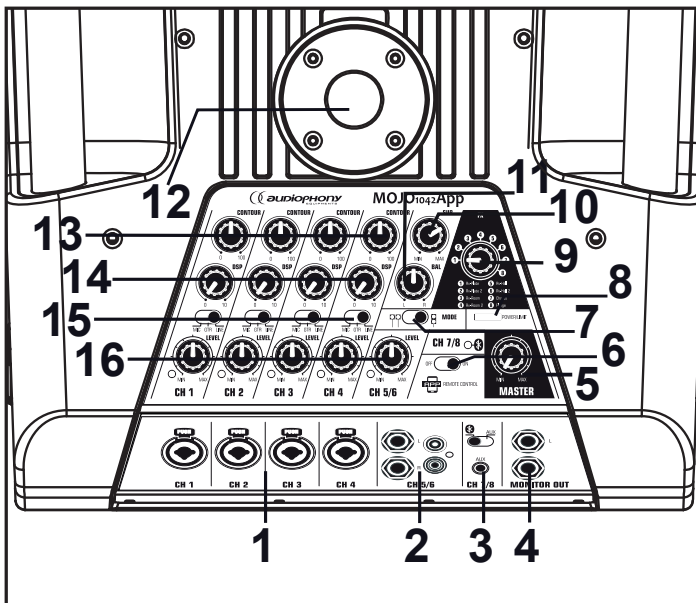


**CAUTION: only a MOJO1042APP satellite can be connected via this output.**

7- Satellites storage compartment

8- Clamping knob to secure the satellite once in its compartment. Use the insert at the rear of the satellite to tighten it safely.

**3.2 - More details about the command panel of the subwoofer:**



**1 - CH1/CH4 input via balanced COMBO**

Connect here an XLR or JACK plug from a line level music instrument or a microphone. The signal of this mono input is spread across the right and left output of the system.

**2 - CH5/6 inputs via balanced Jack and RCA**

Connect here JACK plugs from a line level music instrument or a computer.

**3- CH7/8 inputs via balanced stereo 3,5 Jack and Bluetooth®**

The AUX input allows you to connect via stereo Jack 3.5 any extra line level source as external player. The Bluetooth® receiver is also on this channel. Select the type of input with the selector switch.

Note about Bluetooth® pairing for the channel 7/8: Put the selector on Bluetooth® position. The "Pair" LED is blinking in blue to indicate that its searching a Bluetooth® connexion.

On your smartphone or computer select the "MOJO1042APP" in the list of the Bluetooth® devices to connect it. The "Pair" LED must remain ON in blue and a sound signal indicate that your device is connected.

**Important :** You can only connect one Bluetooth® device on the MOJO1042APP in the same time. You must disconnect the devices that you don't want to use. The last device get priority connexion.

#### 4-Monitor outputs

The signal is the mix out in line level. These outputs allow you to plug an external amplified system or power amp.

#### 5- Master sound level

Use this knob to adjust the main output as desired.

(PLEASE MAKE SURE TO CONFIGURE IT IN ORDER TO PREVENT THE LIMIT FROM BEING LIT)

#### 6 - APP switch

Allow to switch On or Off the Application connexion with your tablet. When it switch ON you just have to start your Application on the tablet and the connexion is done.

#### 7- Satellites output configuration

Left selector: Stereo mode if both outputs are active and the two satellites separated to be used as a 2.1 sound system.

Right selector: Mono mode, the left output only is active and the two satellites are linked together to focus their power on one single side.

#### 8- ON/LIMIT signal indicator

Allows you to check on the volumes

(PLEASE MAKE SURE EACH CHANNEL IS CONFIGURED IN ORDER TO PREVENT THIS INDICATOR FROM BEING LIT)

#### 9 - Effects selector

Allows to select the effect from 1 to 8 :

Reverb Plate/ Plate2/ Room/ Room2/ Hall/ Hall2/ Chorus/ Flange

#### 10 - Subwoofer sound level

The subwoofer volume can be adjusted separately. Use this knob to adjust it as desired. By default, the system is balanced when this knob is in middle position.

(PLEASE MAKE SURE TO CONFIGURE IT IN ORDER TO PREVENT THE LIMIT FROM BEING LIT)

#### 11 - Balance level

Use this knob to adjust the balance between the left and right output as desired. By default, the system is balanced when this knob is in middle position.

#### 12 - Mounting plate

Allows you to insert a 25 mm tube to pole-mount satellites. One of the tubes of the supplied speaker stand can be used to mount your satellites.

#### 13 - Channels 1 to 4 Tone level

This setting allows you to adjust the tone of each channel. From 0 which is like the original sound to 100 which is with more sub and high frequencies and with treble reduced

#### 14 - Channels 1 to 4 effect level

This setting allows you to adjust the level of effect of each channel to meet your needs.

#### 15 - Channels 1 to 4 input selector

Allows you to choose the type of source connected to each channel.

#### 16- Channels 1 to 6 sound level

Allows you to adjust the sound level of each channel.

This setting also affects the main volume level of the amplification system.

(PLEASE MAKE SURE TO CONFIGURE IT IN ORDER TO PREVENT THE LIMIT FROM BEING LIT)



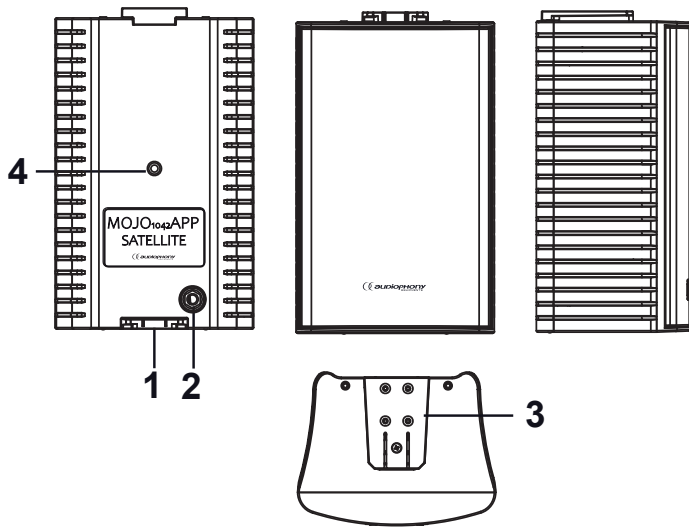
Please make sure to properly configure the sound levels of your system. In addition to being unpleasant for the audience, improper settings can damage your whole sound system.

The "LIMIT" indicators will light on when the maximum level is reached and must never be permanently lit.

Beyond this maximum level, the volume will not increase but will be distorted.

Moreover, your system can be destroyed by an excessive sound level despite of the internal electronic protections.

### 3.3 - Satellites:



#### Satellite of the COMPACT system:

- 1 - Female audio contact slot
- 2 - Jack 6.35 In
- 3 - Male audio contact slot
- 4 - M6 insert



The satellites were designed to be operated with this subwoofer. Please do not use any other type of satellites as it may damage the whole sound system.

## 4 - Setting up the satellites

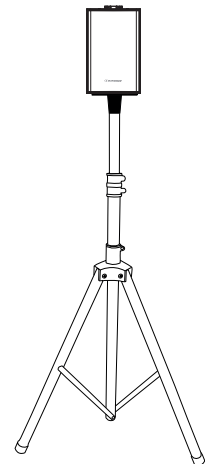
### 4.1 - Using a speaker stand

The MOJO1042APP satellites can be equipped with an accessory featuring a 18mm baseplate to mount them on a compatible speaker stand, as described on the drawing opposite.



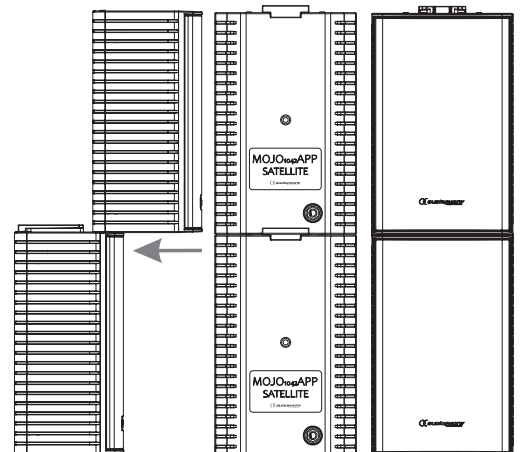
**Please respect the following safety precautions when using speaker stands:**

- When using speakers stands outdoors, please make sure the stands are secured, even perhaps guyed, in order to prevent any risk of fall.
- If the speaker stands are in a crowded area, make sure to prevent the audience from accessing them.
- When mounting the stands, make sure to spread the tripod as much as possible to stabilise the stand.
- Please make sure to install your stands on a flat, even surface.
- Tighten the clamping knobs properly before turning the speakers on.

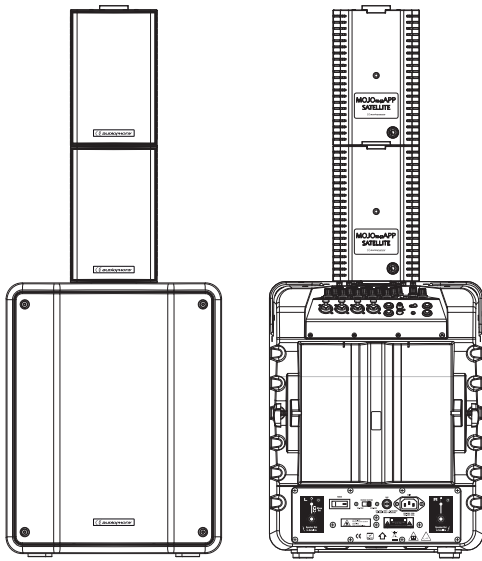


### 4.2 - Setting up two satellites together

The MOJO1042APP satellites are equipped with male and female contact slots allowing them to be daisy-chained. This slot guarantees the transmission of the audio signal between the two satellites and the mechanical connection. The opposite drawing describes how to connect two satellites.



### 4.3 - Setting up the satellites above the subwoofer

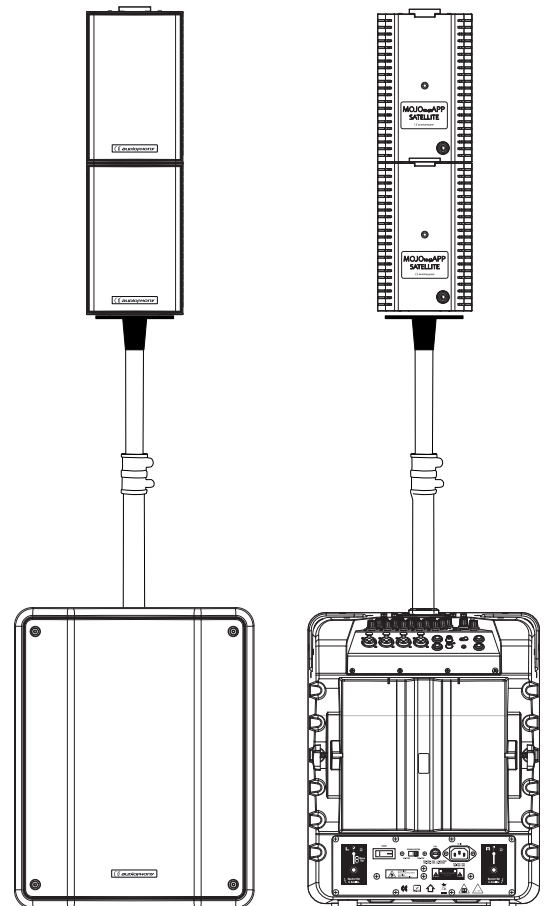


The MOJO1042APP satellites can be directly mounted above the subwoofer thanks to its contact slot.

This slot guarantees the transmission of the audio signal between the two satellites and the subwoofer. Cables are not required in this case. The drawing opposite describes speakers mounted above the subwoofer.

The MOJO1042APP satellites can also be pole-mounted above the subwoofer thanks to the upper part of one of the supplied speaker stands. The bar must be inserted into the 25 mm mounting plate of the subwoofer and into the 18 mm mounting plate of the lower satellite. The contact slot will guarantee the communication between the two satellites.

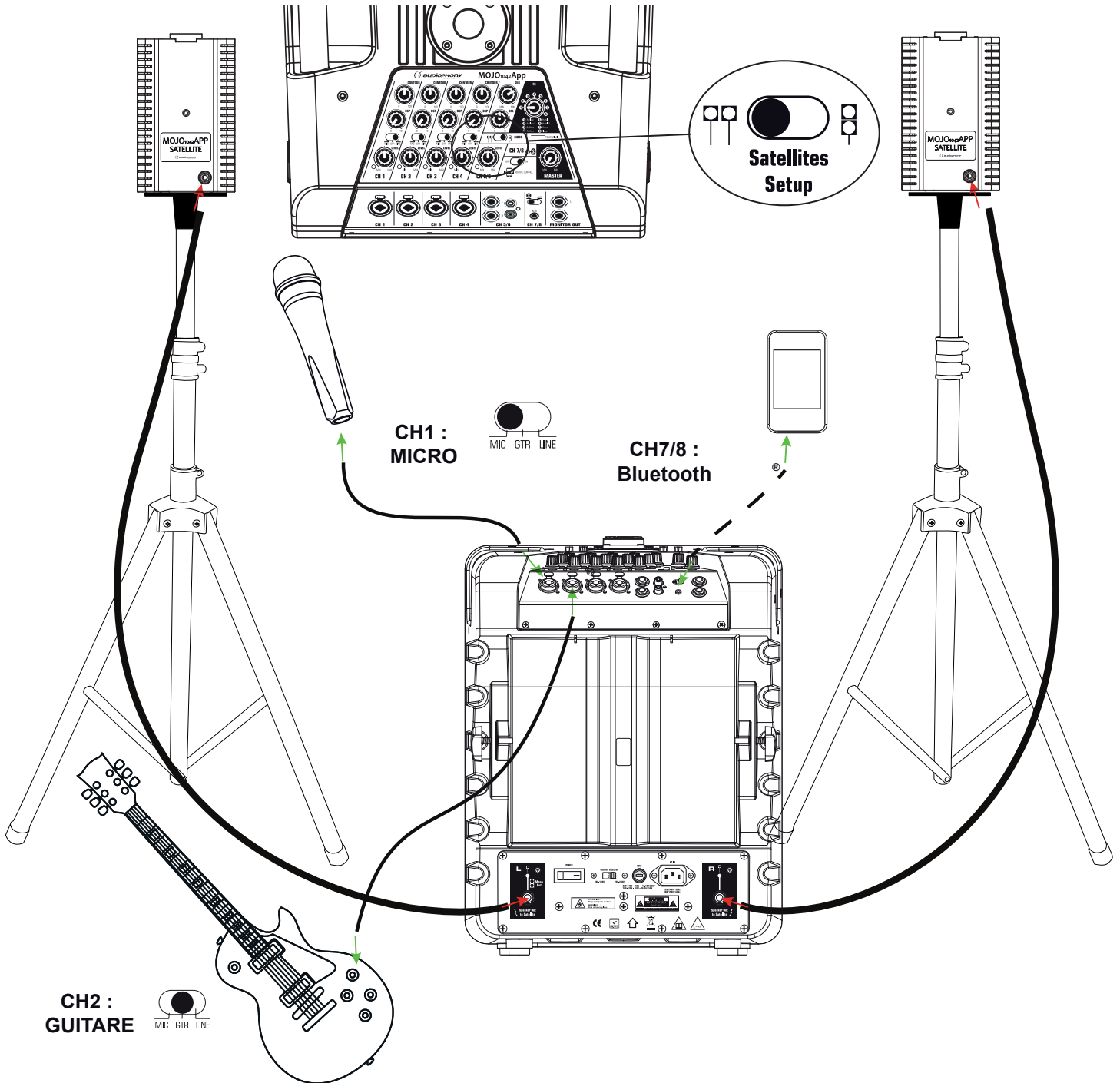
The drawing opposite describes this installation.





## 5 - Basical wiring

### 5.1 - Using the MOJO1042APP as 2.1 system:

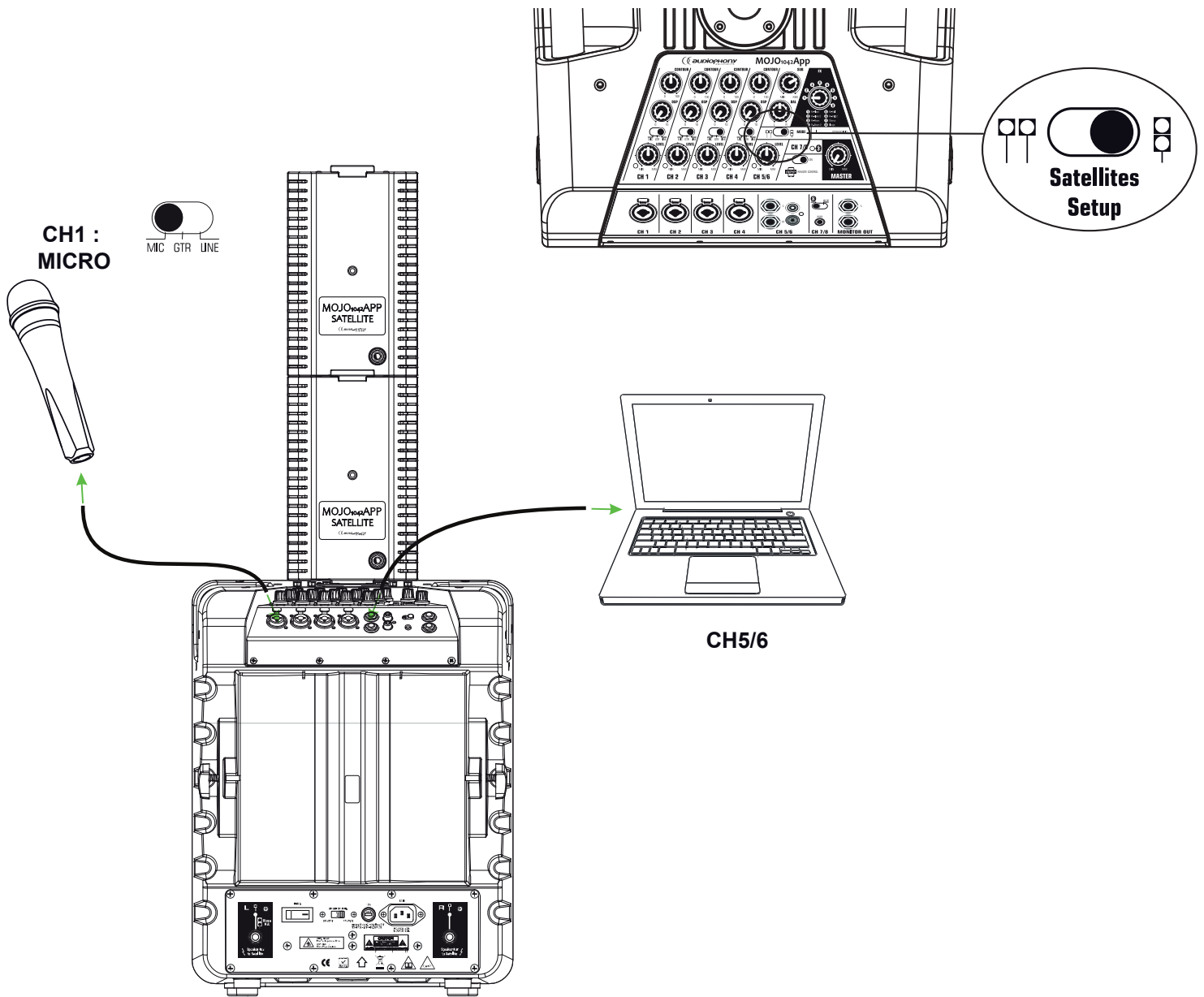


The MOJO1042APP system can be used, for instance, for a guitar player-singer with soundtrack.

To do so, proceed as follows:

- The microphone will be plugged to the CH1 combo input via XLR socket, the selector will be in MIC position.
- The guitar will be connected to the left CH2 balanced jack socket, the selector will be in LINE position.
- The MP3 player will be connected to the CH7/8 by the Bluetooth®.
- The satellites are in stereo mode and will be plugged to the SPEAKER OUT L and R Jack sockets.

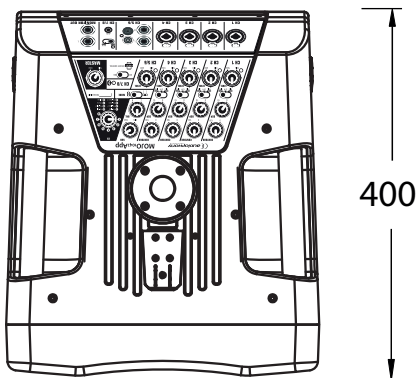
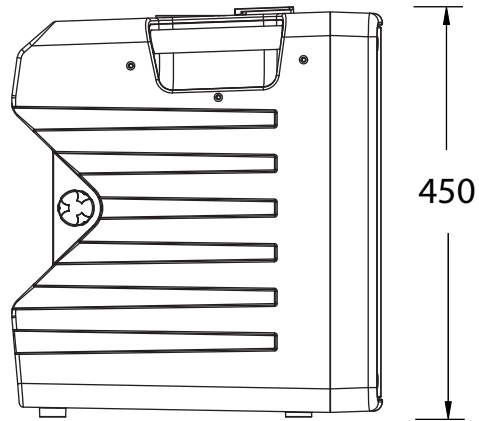
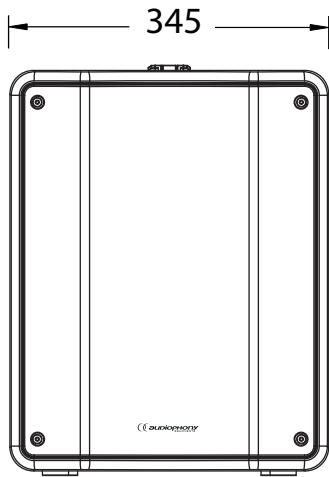
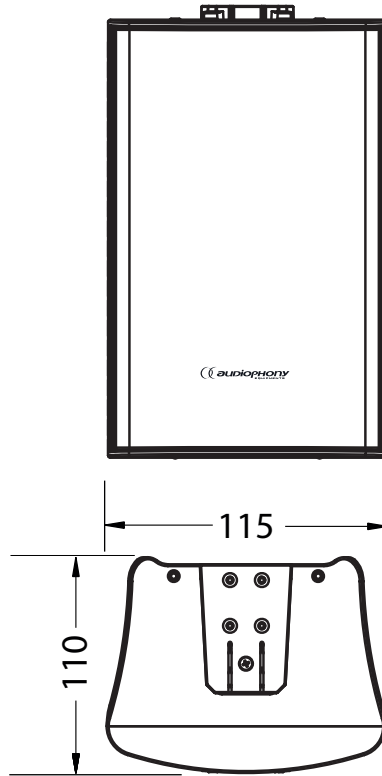
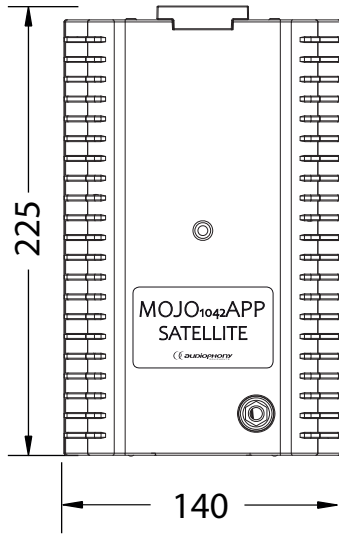
5.2 - Using the MOJO1042APP as a mono 1.1 system:



The MOJO1042APP system can be used, for instance, to give voice to a conference via a speaker and computer. To do so, proceed as follows:

- The microphone will be connected to the CH1 combo input via XLR socket, the selector in MIC position.
- The computer will be connected to the CH5/6 input via Jack or RCA connectors.
- The satellites are in mono mode, directly set up onto the subwoofer via the connection slot, which will transmit the signal between the two satellites.

## 6 - Dimensions



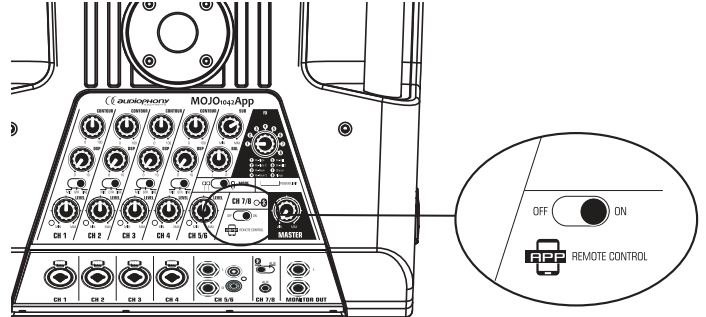
## 7 - Application :

### 7.1 - MOJOcontrol application connexion

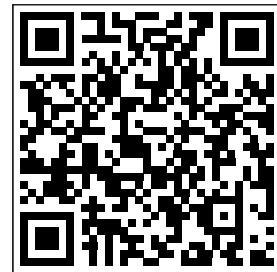
The application MOJO Control allow to connect your MOJO1042APP system in Bluetooth® and to get a virtual mixer on your tablet.

To connect your MOJO1042APP to your tablet put the APP switch to ON position like shown on the drawing :

Then start your App MOJOcontrol on your tablet and the system is connected.



The QR code opposite allows you to access the archive that contains the application. This application is only available for iOS systems.



### 7.2 - View on the mixer of MOJOcontrol Application



7.3 - View on the graphic equalizer of the Master section on the App MOJOcontrol



7.4 - View on the parametric equalizer of the CH7/8 of the App MOJOcontrol



Because AUDIOPHONY® takes the utmost care in its products to make sure you only get the best possible quality, our products are subjects to modifications without prior notice. That is why technical specifications and the products physical configuration might differ from the illustrations.

Make sure you get the latest news and updates about the AUDIOPHONY® products on [www.audiophony.com](http://www.audiophony.com)  
AUDIOPHONY® is a trademark of HITMUSIC S.A.S - Zone Cahors sud - 46230 FONTANES - FRANCE