

**KAYO**<sup>®</sup>

2022 NEW INTELLIGENT STAGE HOIST

**INTELLIGENT STAGE HOIST**

SAFE FAST QUIET



**ENTERTAINMENT STAGE HOIST**

SHAOXIN JIEYI MACHINERY CO.,LTD.  
WWW.KAYOHOIST.COM





**01** *KAYO HOIST*  
INTELLIGENT CONTROL SYSTEM

SYSTEM INTRODUCE.....01  
CNC HOIST-2.0 CONTROL SYSTEM.....02  
INTELLIGENT HOIST.....04  
INTELLIGENT TROLLEY.....08

**02** *KAYO HOIST*  
ENTERTAINMENT SHOW

PRODUCT INTRODUCE.....11  
SNN-S3 D8.....12  
SNN-S3 D8+.....14  
SNN-S3 C1.....16  
MOBILE HOIST CONTROLLER.....18  
SNN-S6 D8.....20

**03** *KAYO HOIST*  
FIXED INSTALLATION

INTRODUCE.....21  
INTELLIGENT HOIST FIXED INSTALLATION.....22  
FIXED HOIST INSTALLATION.....23  
SNN-S3-H D8+.....24  
SNN-S6-H D8.....26  
FIXED HOIST CONTROLLER.....27

**CONTENTS**

**04** *KAYO HOIST*  
OTHER PRODUCTS

SNN-S1-H.....30  
SNN-S1-V.....31  
SNN-S3-H.....32  
D1 MANUAL HOIST.....34  
360° MANUAL HOIST.....35  
HSZ LEVER HOIST.....36  
GTC BEAM TROLLEY.....37  
FLIGHT CASE.....38  
RED PLASTIC BOX.....38

**05** *KAYO HOIST*  
ACCESSORIES

WEB SLING.....39  
POWER CABLE.....39  
BEAM CLAMP.....39  
SHACKLE.....39  
CABLE GUIDER.....39  
RATCHET TIE DOWN.....39

**01** INTELLIGENT CONTROL SYSTEM

With the development of motion control technology, stage performance activities have higher and higher requirements for the use effect of lights, truss frames, props and so on. At present, most control systems are completed by PLC and configuration software, but due to the problems of large volume, low precision and difficult programming at the event site and so on. Therefore, some manufacturers began to try to use servo driver instead of frequency converter to produce CNC hoist. Servo driver has the characteristics of fast response, load-bearing overload protection, small volume, light weight and high precision. It is more and more popular with users in the entertainment industry.

The company has developed a stage CNC hoist control system for servo system, which has been tried out since 2017. After many upgrades and revisions, the system has been successfully used in concerts, TV variety shows, event press conferences, bar performances, sports events and other activities.

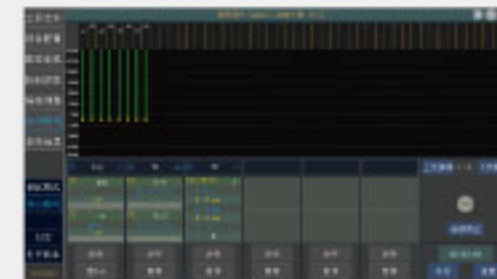




## CNC HOIST-2.0 INTELLIGENT CONTROL SYSTEM

### SOFTWARE FEATURES

1. Maximum 120 set hoists or 60 objects.
2. Supporting simultaneous online backup of primary and secondary computers.
3. Auto-save, no need to re-edit when the power off.
4. Visual monitoring in real-time communication for measuring and controlling cue motion.
5. Replacement and removal of hoists without re-editing cue.
6. Real-time manual control of any hoist during installation and demolition.
7. It can store up to 1000 Cue groups and support file import and export.
8. It can realize up to 60 independent continuous synchronization (straight line, arc, space circle).
9. With software emergency stopper system.
10. Built in weight monitoring.
11. Noise below 65 decibels.
12. The repetitive positioning accuracy of 0.1 mm can be realized with 9500 drive module.



### CNC-WW20 CNC HOIST CONTROLLER

1. Creating single or multiple objects in a 2D,3D environment.
2. It calculates and communicates each movement to create the smoothest, fastest and most accurate transitions in motion control.
3. Easy operation, even if the hoist is running, it can be written flexibly and safely.
4. CNC hoist controller is suitable for concerts, large-scale events, multi-purpose venues and fixed (semi-permanent) installation.



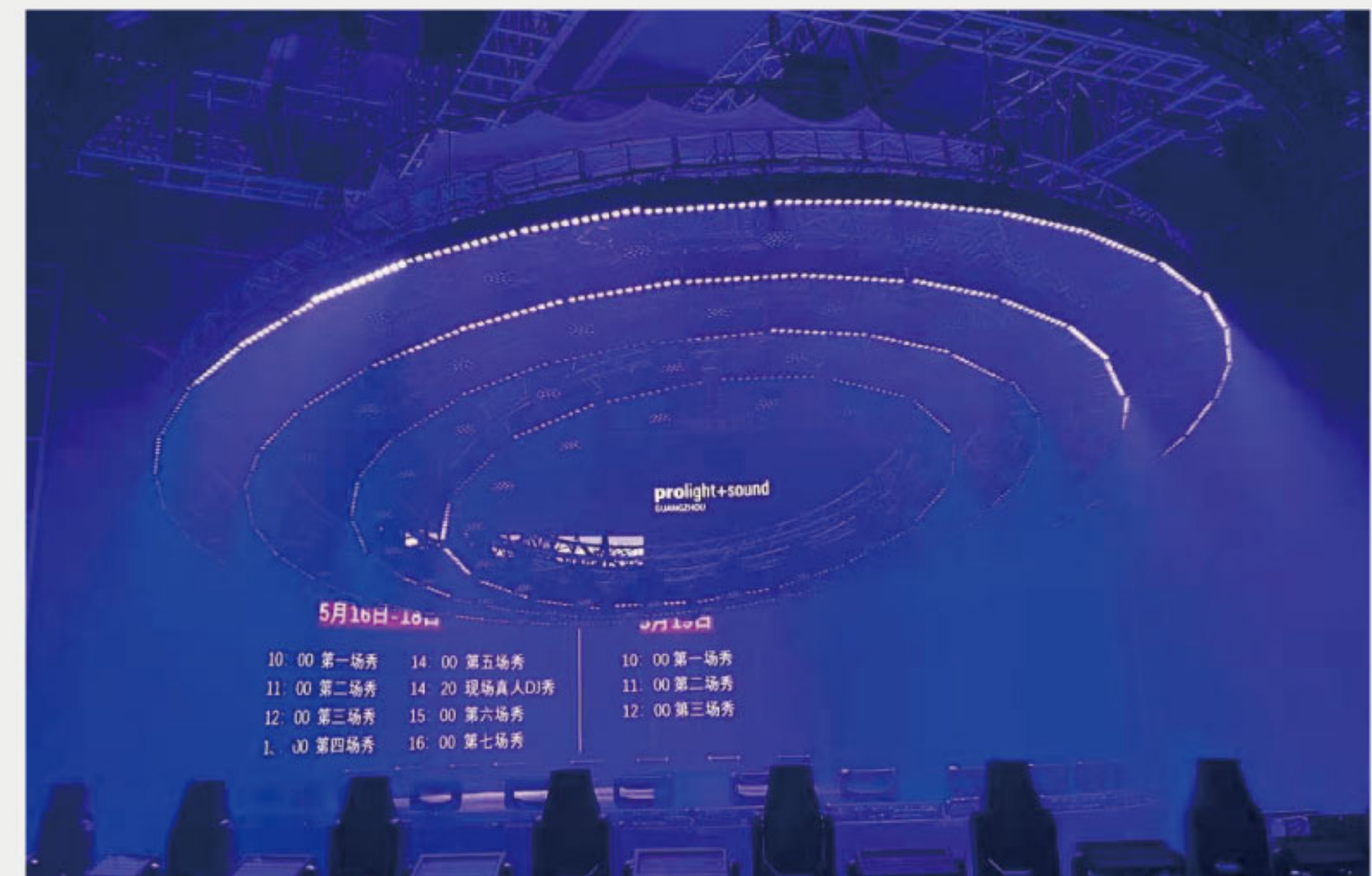
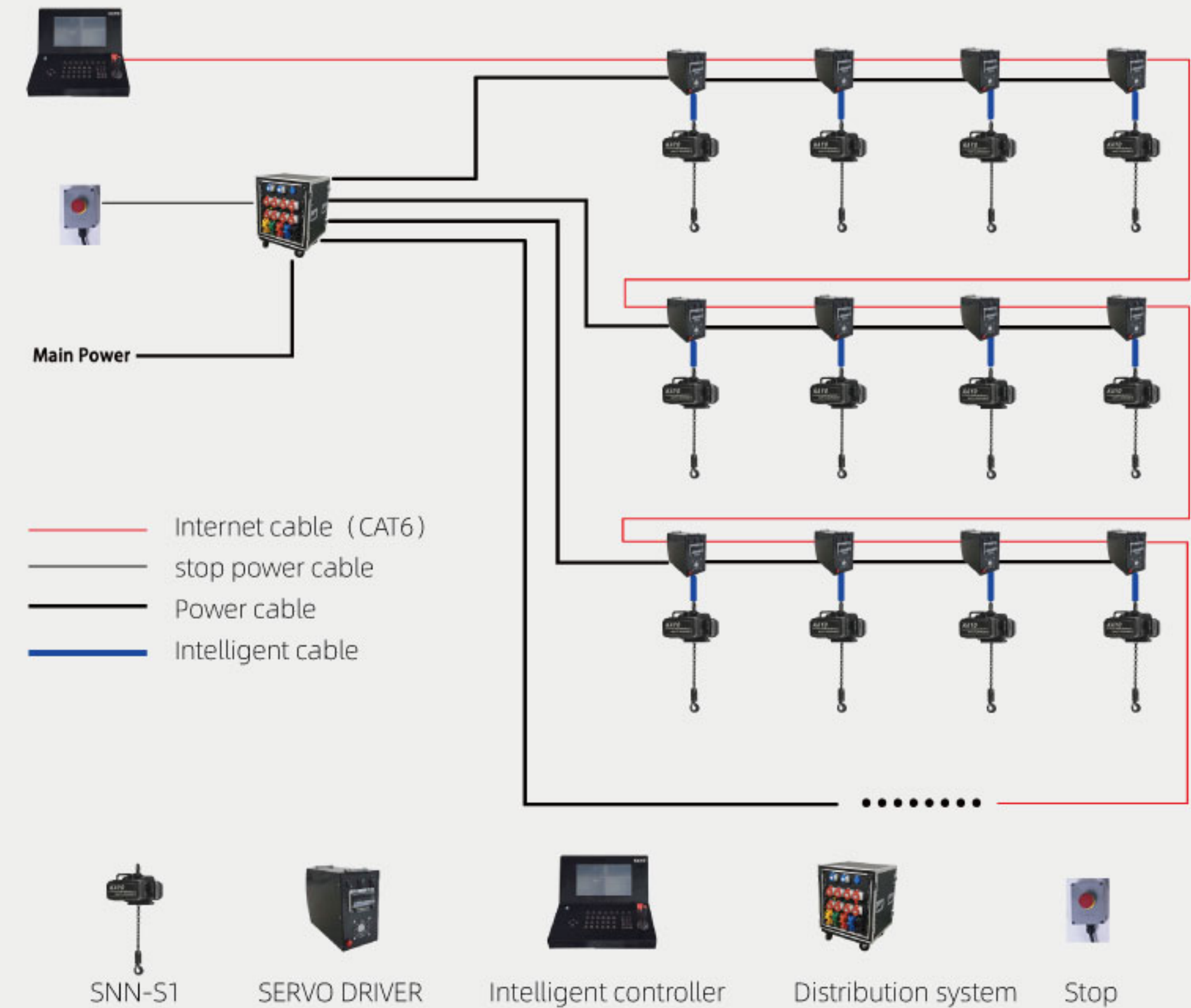
### CTN-WW20

1. Automatic saving, power-off storage without re editing.
2. Real time communication, dynamic monitoring of data during movement.
3. With emergency stop protection device.
4. Use with computer.

### CNC-7500 Distribution system

1. WITH OVER-CURRENT SWITCHES PROTECTION.
2. EACH LINE IS EQUIPPED WITH A SEPARATE CIRCUIT BREAKER AND OVERHEAT PROTECTION.
3. THE MAIN POWER INPUT IS EQUIPPED WITH INDICATOR LAMP AND EMERGENCY STOPPER, WHICH MEET SIL2.
4. 工业安全设计。

## INTELLIGENT CONTROL SYSTEM DIAGRAM





**INTELLIGENT STAGE HOIST** Entertainment type



Individual mechanical brake and electromagnetic brake, ensure stage hoist safe during working.



Folding handle design, easy for transportation.



High Strength Aluminum, Light weight, high strength, corrosion resistance. Reach to IP 65.



Hard chrome-manganese precise Helical gears. Gear case oil lubed for-life with mute.



Alloy Steel Forging Hook, It can be rotated 360° and meet 10 times safety factor, has protecting cover.



5-tooth Load Sprocket, Finish machining by CNC machining center. Suspension type design, convenient maintenance.



FEC DAT load chain according to EN818-7 standards. Mini break testing meet 10 times safety factor.



SIL3 Emergency Stopper

**SNN-S2 500kg Parameters**

Model	SNN-S2-0.5
Capacity	0.5 t
Test load	0.625 t
Protection level	IP65
Classification	1AM/M4
Lifting speed	1-26 m/min
Motor	2.0 kw
Load chain	Φ6.3×19 mm
Load chain falls	1
Net weight	35 kg
Chain weight	0.86 kg/m

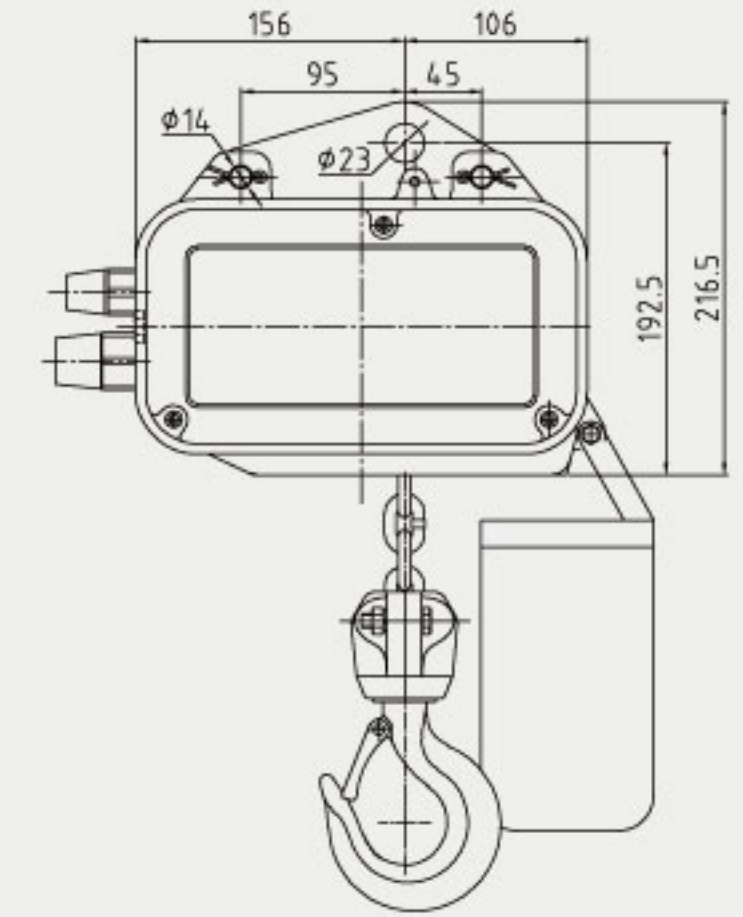
**SNN-S2 1000kg Parameters**

Model	SNN-S2-1
Capacity	1 t
Test load	1.25 t
Protection level	IP65
Classification	1AM/M4
Lifting speed	1-16 m/min
Motor	2.0 kw
Load chain	Φ7.1×21 mm
Load chain falls	1
Net weight	35 kg
Chain weight	1.07 kg/m

**SNN-S2 500kg FEATURE**

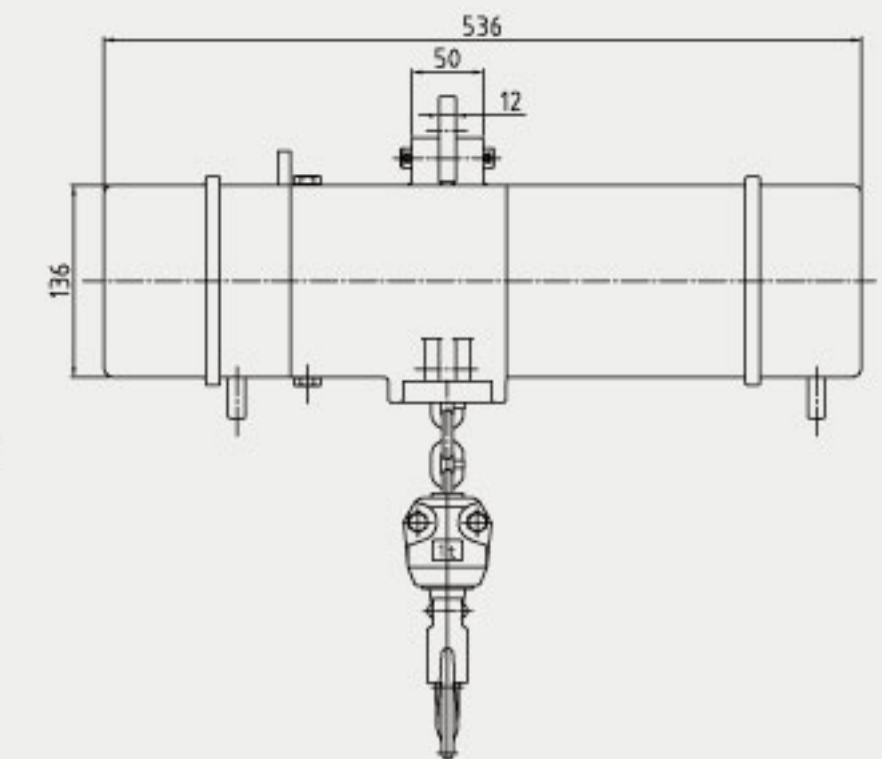
Safety factor	10: 1
Brake	2
Lifting speed	1-26 m/min
Functional safety certification	SIL3
Noise	≤65dB
Chain	EN818-7 Φ6.3×19 mm
Limit switch	2
Overload protection	yes
Load monitoring	yes
Emergency Stopper	yes
Hoist size	536×262×217 mm
Flight case	640×530×490 mm

**SNN-S2 Dimension**



**SNN-S2 1000kg Feature**

Safety factor	10: 1
Brake	2
Lifting speed	1-16 m/min
Functional safety certification	SIL3
Noise	≤65dB
Chain	EN818-7 Φ7.1×21 mm
Limit switch	2
Overload protection	yes
Load monitoring	yes
Emergency Stopper	yes
Hoist size	536×262×217 mm
Flight case	640×530×490 mm





# INTELLIGENT STAGE HOIST Fixed type



Individual mechanical brake and electromagnetic brake, ensure stage hoist safe during working.



Folding handle design, easy for transportation.



High Strength Aluminum, Light weight, high strength, corrosion resistance. Reach to IP 55.



Hard chrome-manganese precise Helical gears. Gear case oil lubed for-life with mute.



Alloy Steel Forging Hook, It can be rotated 360° and meet 10 times safety factor, has protecting cover.



5-tooth Load Sprocket, Finish machining by CNC machining center. Suspension type design, convenient maintenance.



FEC DAT load chain according to EN818-7 standards. Mini break testing meet 10 times safety factor.



SIL3 Emergency Stopper.

### SNN-S1 500kg Parameters

Model	SNN-S1-0.5
Capacity	0.5 t
Test load	0.625 t
Protection level	IP55
Classification	1AM/M4
Lifting speed	1-26 m/min
Motor	2.0 kw
Load chain	Φ6.3×19 mm
Load chain falls	1
Net weight	47 kg
Chain weight	0.86 kg/m

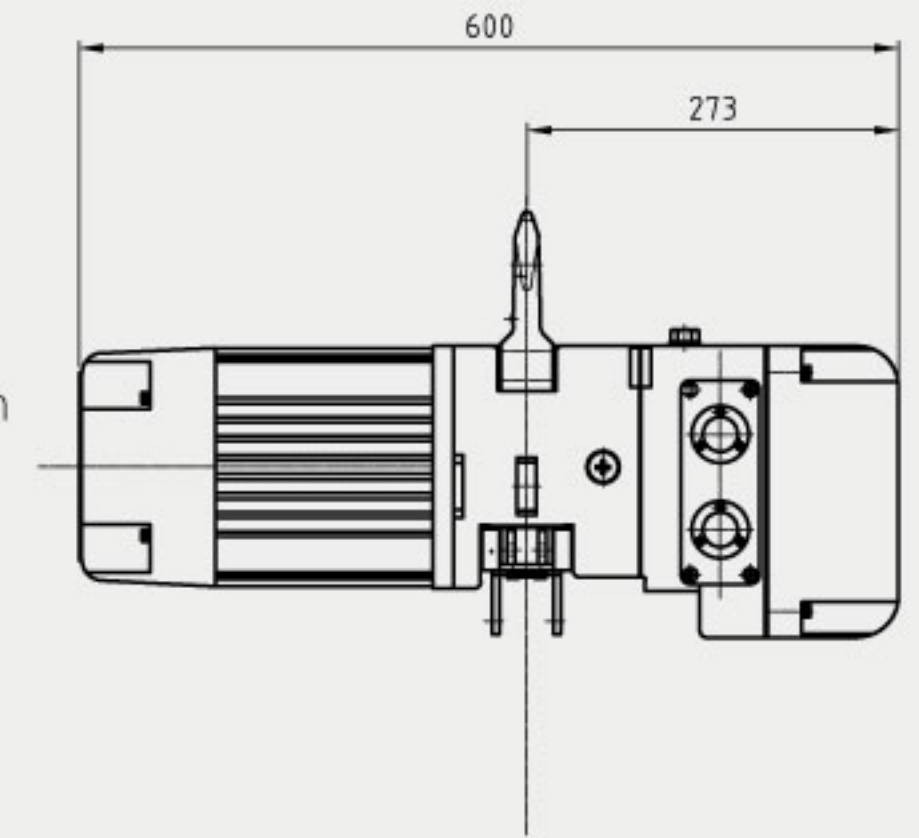
### SNN-S1 1000kg Parameters

Model	SNN-S1-1
Capacity	1 t
Test load	1.25 t
Protection level	IP55
Classification	1AM/M4
Lifting speed	1-16 m/min
Motor	2.0 kw
Load chain	Φ8×24 mm
Load chain falls	1
Net weight	52 kg
Chain weight	1.38 kg/m

### SNN-S1 500kg Feature

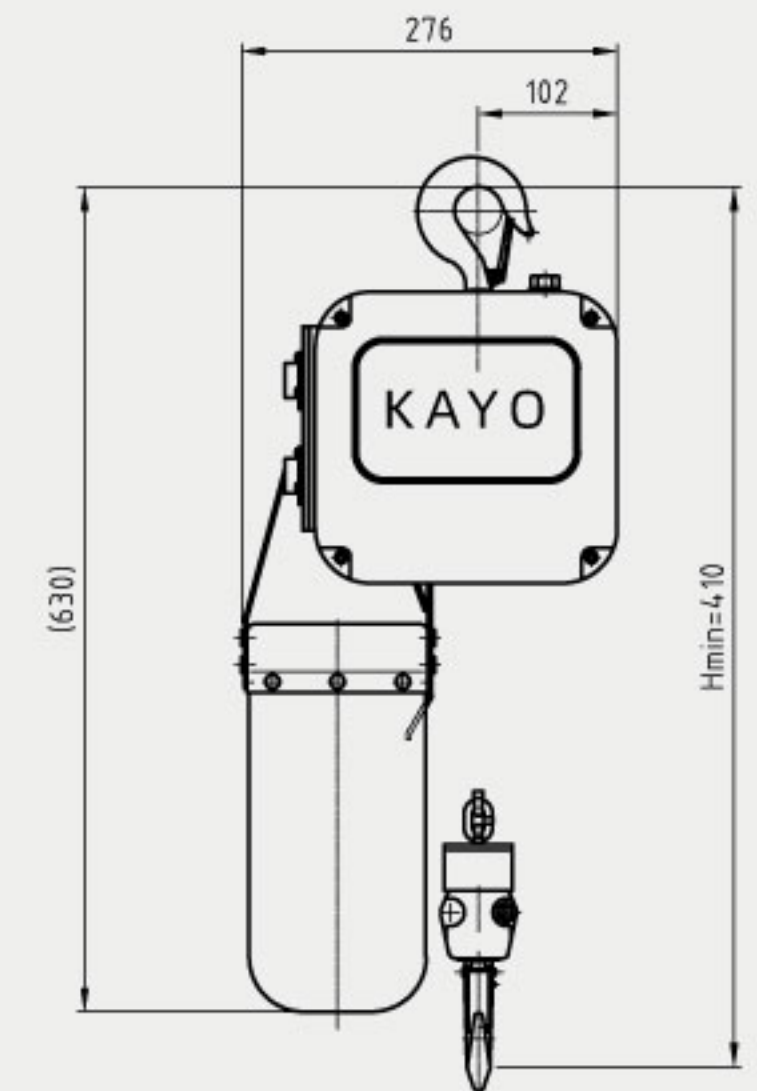
Safety factor	10: 1
Brake	2
Lifting speed	1-26 m/min
Functional safety certification	SIL3
Noise	≤65dB
Chain	EN818-7 Φ6.3×19 mm
Limit switch	2 (D8+ for option)
Overload protection	yes (D8+ for option)
Load monitoring	yes (D8+ for option)
Emergency Stopper	yes (D8+ for option)
Hoist size	600×276×630 mm
Flight case	750×600×630 mm

### SNN-S1 Dimension



### SNN-S1 1000kg Feature

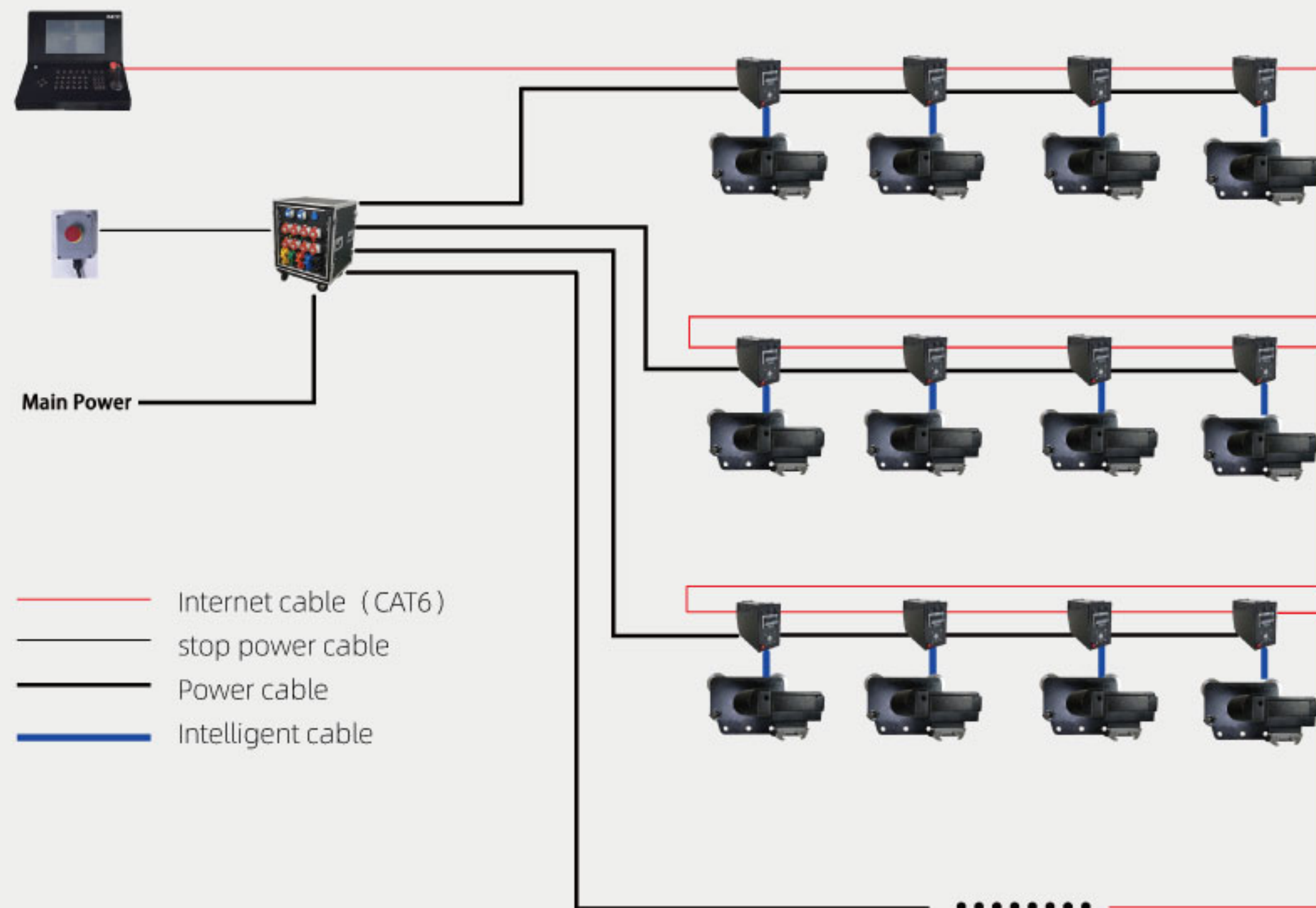
Safety factor	10: 1
Brake	2
Lifting speed	1-16 m/min
Functional safety certification	SIL3
Noise	≤65dB
Chain	EN818-7 Φ8×24 mm
Limit switch	2 (D8+ for option)
Overload protection	yes (D8+ for option)
Load monitoring	yes (D8+ for option)
Emergency Stopper	yes (D8+ for option)
Hoist size	600×276×630 mm
Flight case	750×600×630 mm



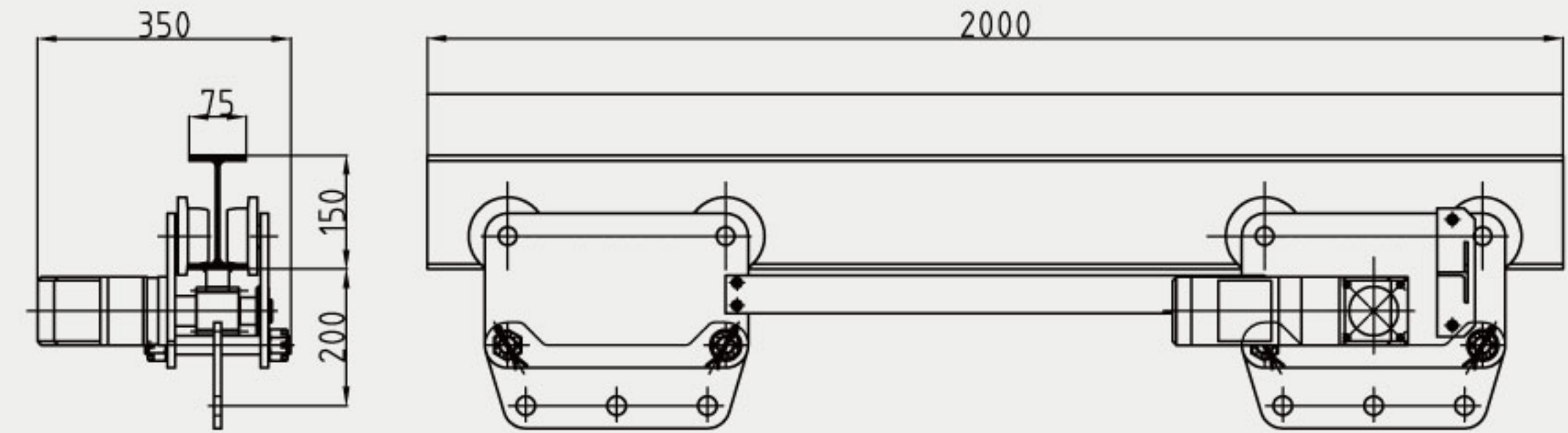


## INTELLIGENT TROLLEY ( screen slide rail system )

CNC control system has opened up a new industry movement standard. Directional design and development to meet the demanding requirements of top professionals in the entertainment field. CNC 2.0 software with the trolley can achieve rich Cue writing and production. The design supports Ether CAT communication so that complex Cue group can be easily executed and visualized during the monitoring of Cue movement. It is flexible to write even when the device host is running. CNC 2.0 supports simultaneous on-line mainframe and auxiliary aircraft, and is suitable for touring, large-scale activities, multi-purpose venues and (semi) permanent installation.



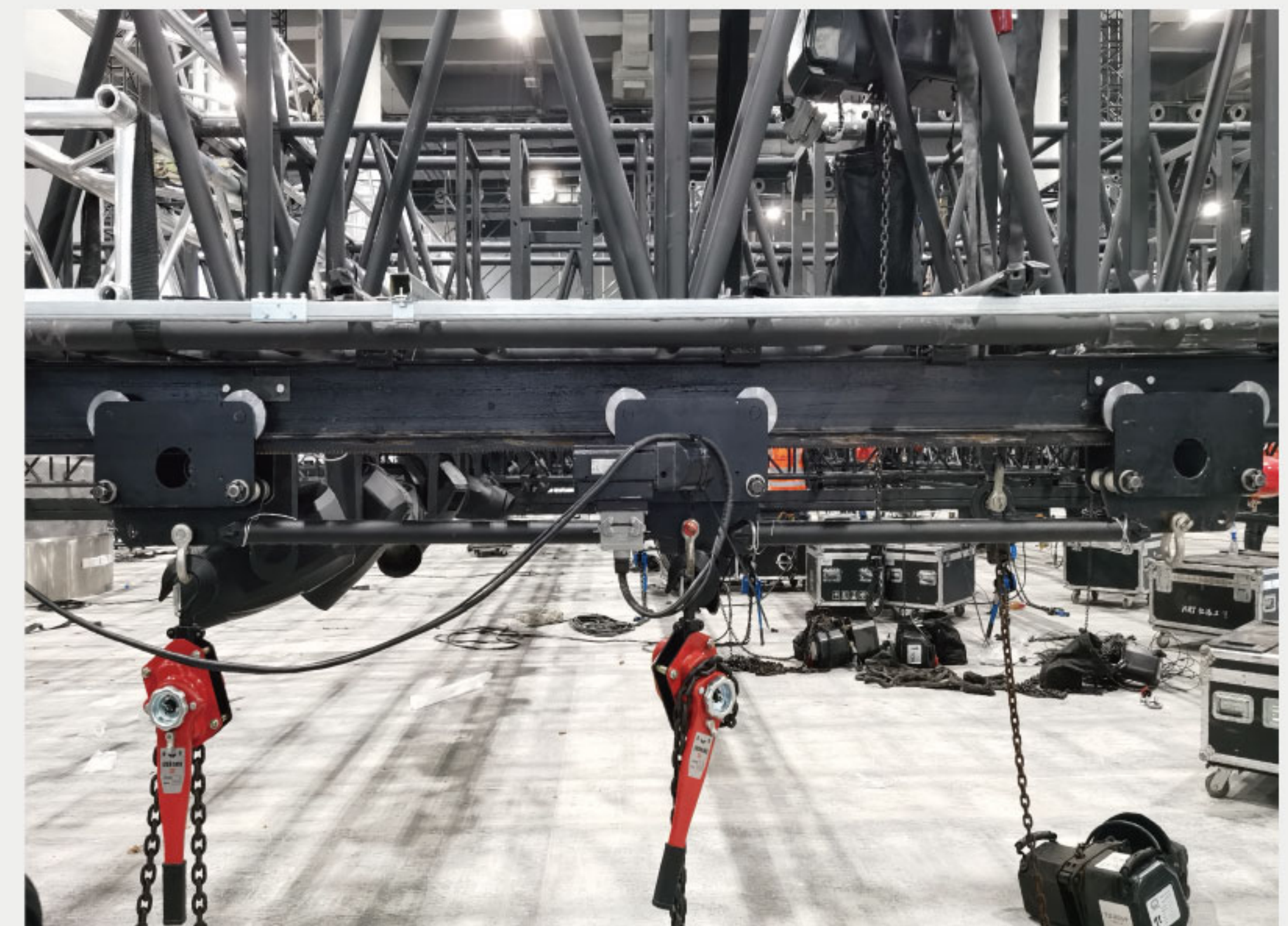
1. KAYO Intelligent trolley system combines with Variable speed trolley + servo system + I Beam + Conductor line system + Intelligent Motion Controller, 5 big parts.
2. Available in a range of speeds from 0 to 20m/min and also two capacities from 500kg to 1000kg.
3. KAYO beam trolleys are available in US, China and European voltage variants.
4. Ideal for horizontal travel in 75mm I beams and others for option.
5. More configurations available under request



### 500 kg / 1000 kg Intelligent trolley parameters

Weight	95 kg
Capacity	500 kg / 1000 kg
Speed	0-20 m/min
Motor	0.5 kw
Voltage	220V - 480V
Electric current	0.89 A
Frequency	50/60 Hz

Classification	M3
Overload	150%
Protection level	IP55
Controller system	CNC-2.0
Humidity	≤95%
temperature	-4°C / +60°C
齿条	3





## 02 ENTERTAINMENT PERFORMANCE

It mainly provides stage hoists and supporting products for temporary stage construction such as concerts, exhibitions, sports games, music festivals, sports events and cultural performances.





**D8 ELECTRIC STAGE GOIST** Entertainment type



Single brake system, electromagnetic brake.



Overload protection, shut down at 120% SWL. (for option)



FEC DAT load chain according to EN818-7 standards. Mini break testing meet 8 times safety factor.



High Strength Aluminum, Light weight, high strength, corrosion resistance. Reach to IP 65.



Alloy Steel Forging Hook, It can be rotated 360° and meet 10 times safety factor, has protecting cover.



5-tooth Load Sprocket, Finish machining by CNC machining center. Suspension type design, convenient maintenance.



Up and down limit switch. (for option)



Folding handle design, easy for transportation.

**SNN-S3 500kg Parameters**

Model	SNN-S3-0.5 D8
Capacity	0.5 t
Test load	0.625 t
Protection level	IP65
Classification	1AM/M4
Lifting speed	4 m/min
Motor	0.8 kw
Load chain	Φ7.1×21
Load chain falls	1
Net weight	28
Chain weight	1.07 kg/m

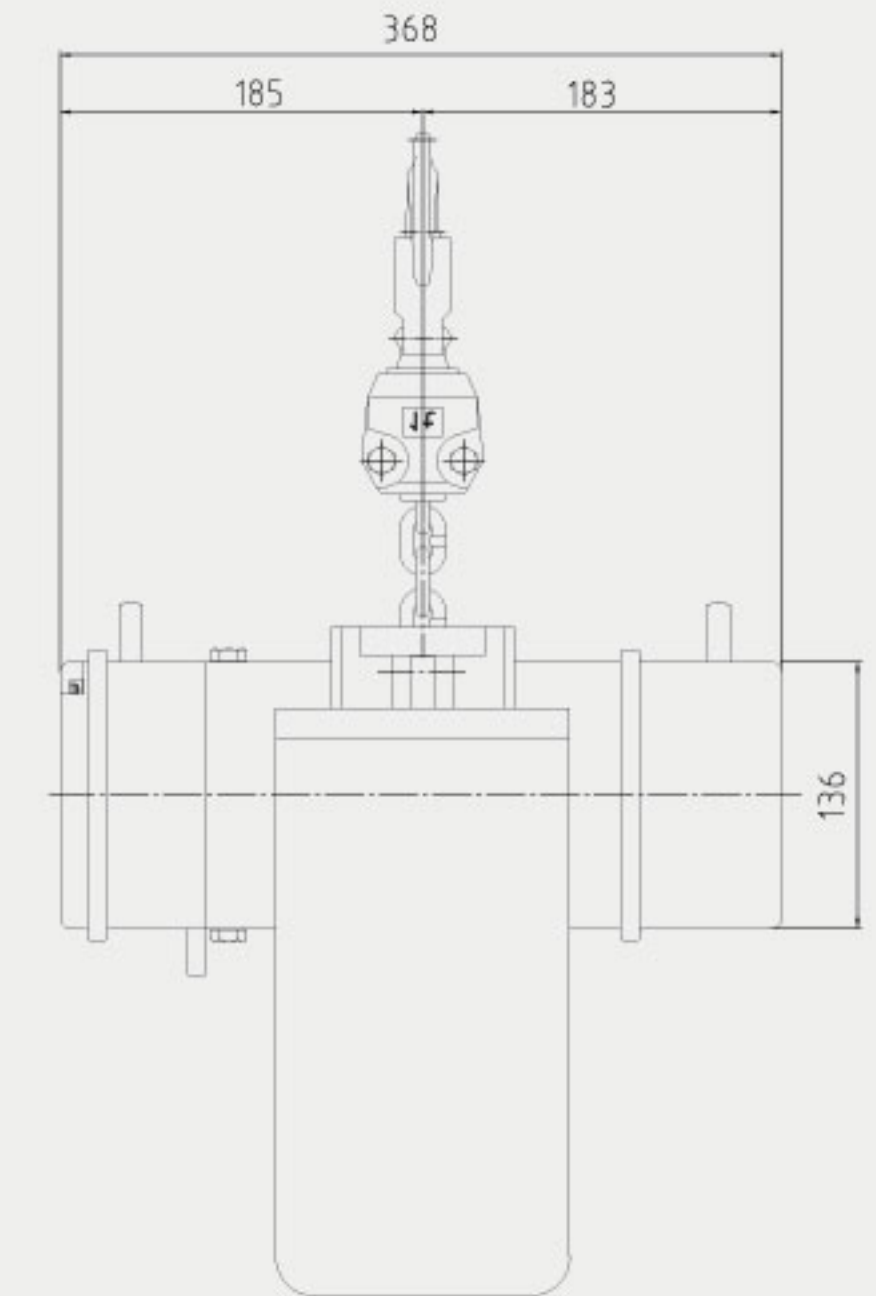
**SNN-S3 1000kg Parameters**

Model	SNN-S3-1 D8
Capacity	1 t
Test load	1.25 t
Protection level	IP65
Classification	1AM/M4
Lifting speed	4 m/min
Motor	0.8 kw
Load chain	Φ7.1×21
Load chain falls	1
Net weight	29
Chain weight	1.07 kg/m

**SNN-S3 D8 500kg FEATURE**

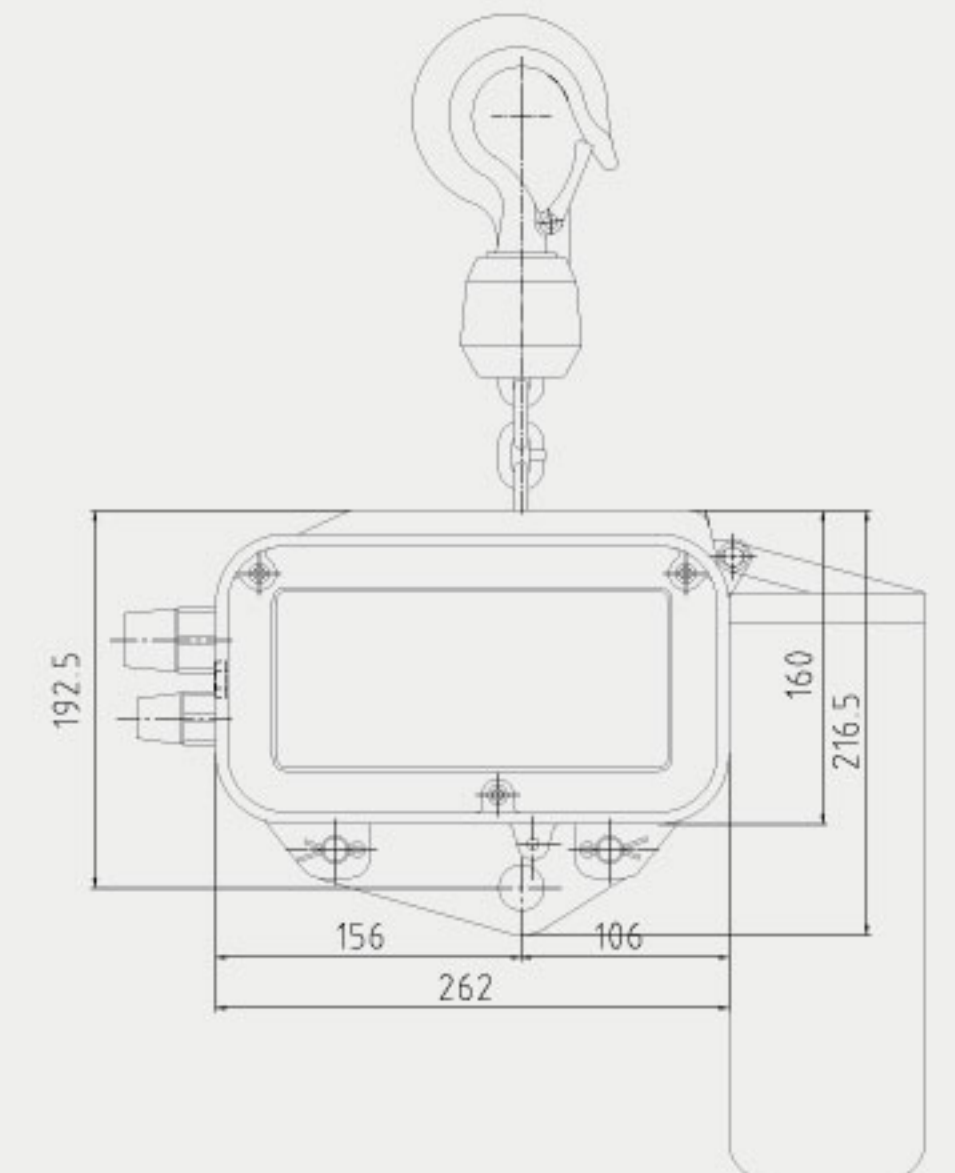
Safety factor	6 : 1
Brake	1
Lifting speed	4 m/min
Noise	≤65dB
Chain	EN818-7 Φ7.1×21
Limit switch	for option
Overload protection	for option
Load monitoring	for option
Emergency Stopper	for option
Hoist size	368×262×217 mm
Flight case	490×540×490 mm

**SNN-S3 D8 Dimension**



**SNN-S3 D8 1000kg FEATURE**

Safety factor	6 : 1
Brake	1
Lifting speed	4 m/min
Noise	≤65dB
Chain	EN818-7 Φ7.1×21
Limit switch	for option
Overload protection	for option
Load monitoring	for option
Emergency Stopper	for option
Hoist size	368×262×217 mm
Flight case	490×540×490 mm





**D8+ ELECTRIC STAGE HOIST** Entertainment type



Individual mechanical brake and electromagnetic brake, ensure stage hoist safe during working.



Overload protection, shut down at 120%SWL. (for option)



FEC DAT load chain according to EN818-7 standards. Mini break testing meet 8 times safety factor.



High Strength Aluminum, Light weight, high strength, corrosion resistance. Reach to IP 65.



Alloy Steel Forging Hook, It can be rotated 360° and meet 10 times safety factor, has protecting cover.



5-tooth Load Sprocket, Finish machining by CNC machining center. Suspension type design, convenient maintenance.



Up and down limit switch. (for option)



Folding handle design, easy for transportation.

**SNN-S3 500kg Parameters**

Model	SNN-S3-0.5 D8+
Capacity	0.5 t
Test load	0.625 t
Protection level	IP65
Classification	1AM/M4
Lifting speed	4 m/min
Motor	0.8 kw
Load chain	Φ7.1×21
Load chain falls	1
Net weight	30
Chain weight	1.07 kg/m

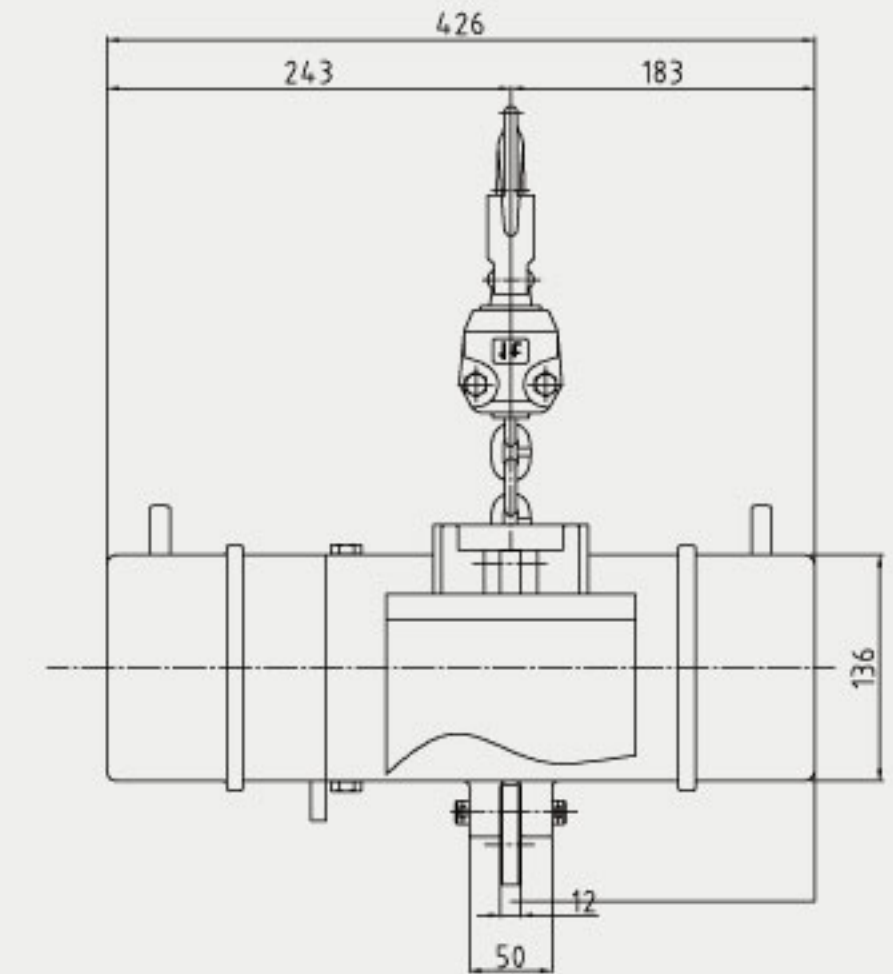
**SNN-S3 1000kg Parameters**

Model	SNN-S3-1 D8+
Capacity	1 t
Test load	1.25 t
Protection level	IP65
Classification	1AM/M4
Lifting speed	4 m/min
Motor	0.8 kw
Load chain	Φ7.1×21
Load chain falls	1
Net weight	30.5
Chain weight	1.07 kg/m

**SNN-S3 D8+ 500kg FEATURE**

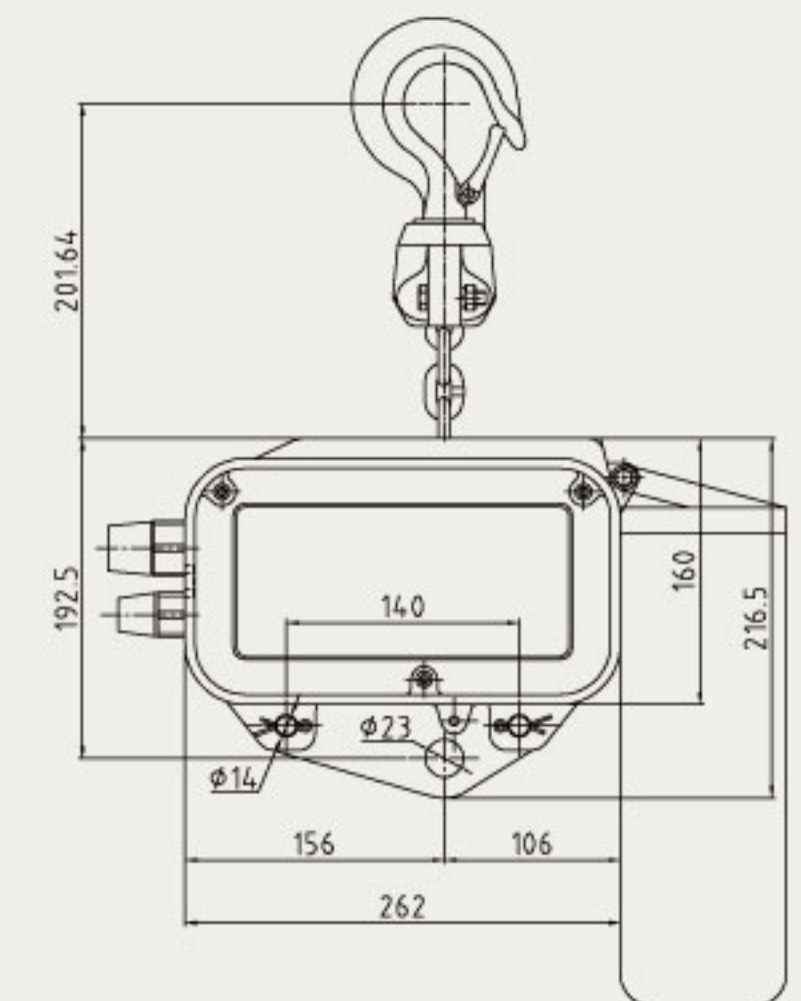
Safety factor	8: 1 / 10: 1
Brake	2
Lifting speed	4 m/min
Noise	≤65dB
Chain	EN818-7 Φ7.1×21
Limit switch	for option
Overload protection	for option
Load monitoring	for option
Emergency Stopper	for option
Hoist size	426×262×217 mm
Flight case	540×540×490 mm

**SNN-S3 D8+ Dimension**



**SNN-S3 D8+ 1000kg FEATURE**

Safety factor	8: 1 / 10: 1
Brake	2
Lifting speed	4 m/min
Noise	≤65dB
Chain	EN818-7 Φ7.1×21
Limit switch	for option
Overload protection	for option
Load monitoring	for option
Emergency Stopper	for option
Hoist size	426×262×217 mm
Flight case	540×540×490 mm





**C1 ELECTRIC STAGE HOIST** Entertainment type with load cell



Individual mechanical brake and electromagnetic brake, ensure stage hoist safe during working.



Overload protection, shut down at 120%SWL.



FEC DAT load chain according to EN818-7 standards. Mini break testing meet 10 times safety factor.



High Strength Aluminum, Light weight, high strength, corrosion resistance. Reach to IP 65.



Alloy Steel Forging Hook, It can be rotated 360° and meet 10 times safety factor, has protecting cover.



5-tooth Load Sprocket, Finish machining by CNC machining center. Suspension type design, convenient maintenance.



Up and down limit switch.



Folding handle design, easy for transportation.

**SNN-S3 500kg Parameters**

Model	SNN-S3-0.5 C1
Capacity	0.5 t
Test load	0.625 t
Protection level	IP65
Classification	1AM/M4
Lifting speed	4 m/min
Motor	0.8 kw
Load chain	Φ7.1×21
Load chain falls	1
Net weight	30
Chain weight	1.07 kg/m

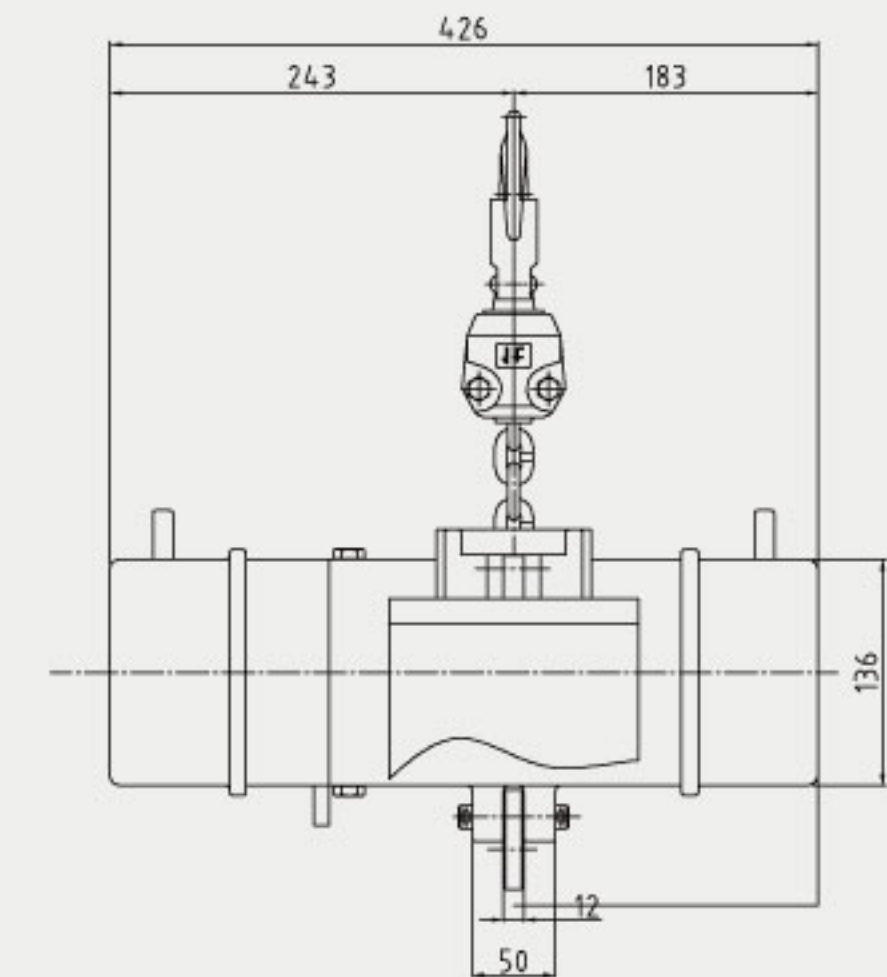
**SNN-S3 1000kg Parameters**

Model	SNN-S3-1 C1
Capacity	1 t
Test load	1.25 t
Protection level	IP65
Classification	1AM/M4
Lifting speed	4 m/min
Motor	0.8 kw
Load chain	Φ7.1×21
Load chain falls	1
Net weight	30.5
Chain weight	1.07 kg/m

**SNN-S3 C1 500kg FEATURE**

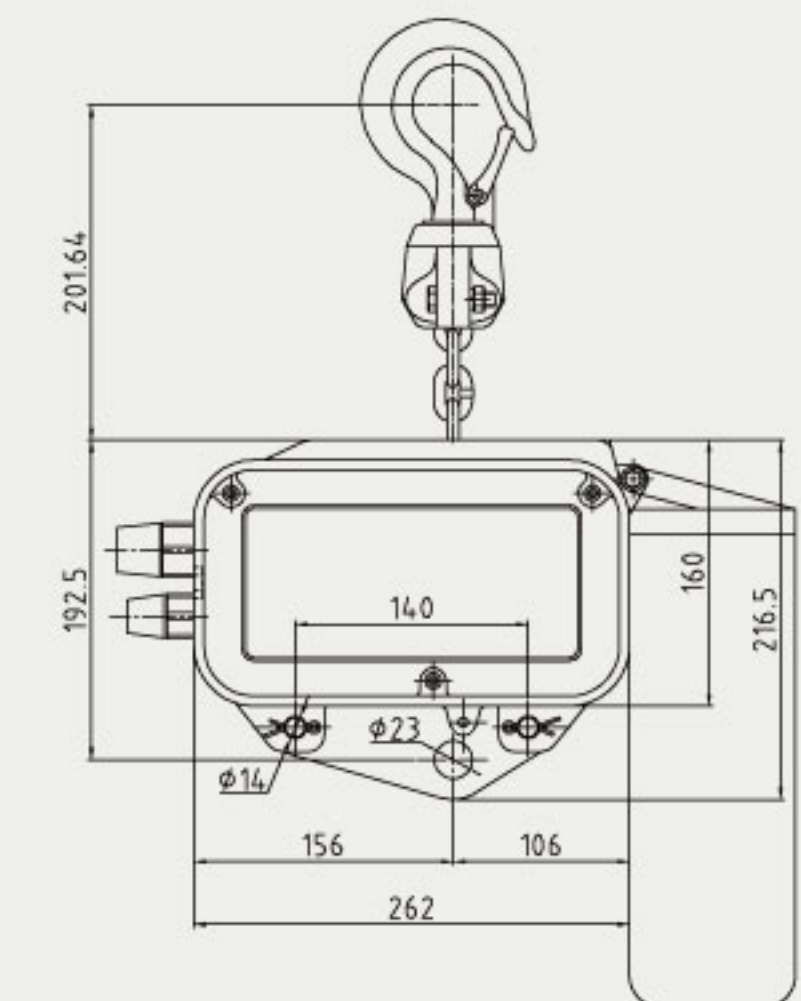
Safety factor	10: 1
Brake	2
Lifting speed	4 m/min
Noise	≤65dB
Chain	EN818-7 Φ7.1×21
Limit switch	yes
Overload protection	yes
Load monitoring	yes
Emergency Stopper	yes
Hoist size	426×262×217 mm
Flight case	540×540×490 mm

**SNN-S3 C1 Dimension**



**SNN-S3 C1 1000kg FEATURE**

Safety factor	10: 1
Brake	2
Lifting speed	4 m/min
Noise	≤65dB
Chain	EN818-7 Φ7.1×21
Limit switch	yes
Overload protection	yes
Load monitoring	yes
Emergency Stopper	yes
Hoist size	426×262×217 mm
Flight case	540×540×490 mm





# CUSTOMIZED CONTROLLER

# Variable Frequency Converter

Single Phase To 3 Phase (2.2KW 220V 3PH)



1. KAYO controllers are generally 4, 8, 12, 24, 32, 36 routes, etc..
2. Electric chain hoists will be delivered with direct or low voltage control, single phase controller is for optional.
3. Panel control and handle control are total acceptable.
4. Control the single electric chain hoist or group is acceptable. Each lines have the UP/DOWN selector switch, the "RUN" button activates all of the preselection loops.
5. With the function of leakage protection device and phase transformation.



1. Spacing 2.54mm bar connector, 5-pin plug.
2. DC cooling fan low noise, long life, large air volume.
3. Three anti-paint protection lines, improve and extend the life of the fuselage.
4. The machine is screwed to ensure the safety and reliability of the use.

### Controller Parameters

Model	Type	Voltage	Electric current
KY-2	2-CH	110V-460V	8A
KY-4	4-CH	110V-460V	16A
KY-6	6-CH	110V-460V	16A
KY-8	8-CH	110V-460V	32A
KY-24	24-CH	110V-460V	63A
KY-32	32-CH	110V-460V	63A





03 FIXED INSTALLATION

D8 ELECTRIC STAGE HOIST Entertainment type



DC brake system without asbestos, consumption of electricity reduced efficiently.

Folding handle design, easy for transportation.

Pressing steel structure, high strength body, light and compact.

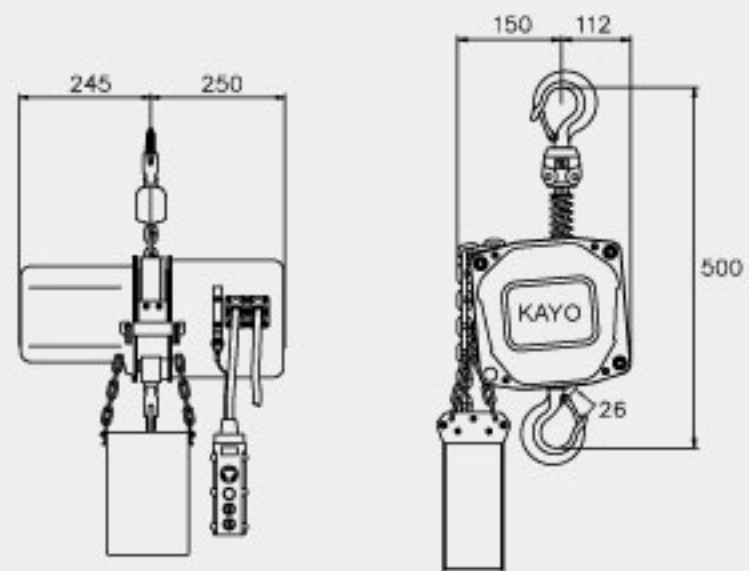
Special casting gear after heat treatment, it has higher strength and durability, less operation noisy.

Alloy Steel Forging Hook, It can be rotated 360° and meet 10 times safety factor, has protecting cover.

5-tooth Load Sprocket, Finish machining by CNC machining center. Suspension type design, convenient maintenance.

Imported G100 load chain according to EN818-7 standards, mini breaking test can meet 8 times safety factor.

Electrical components pass durability test, longer working life.

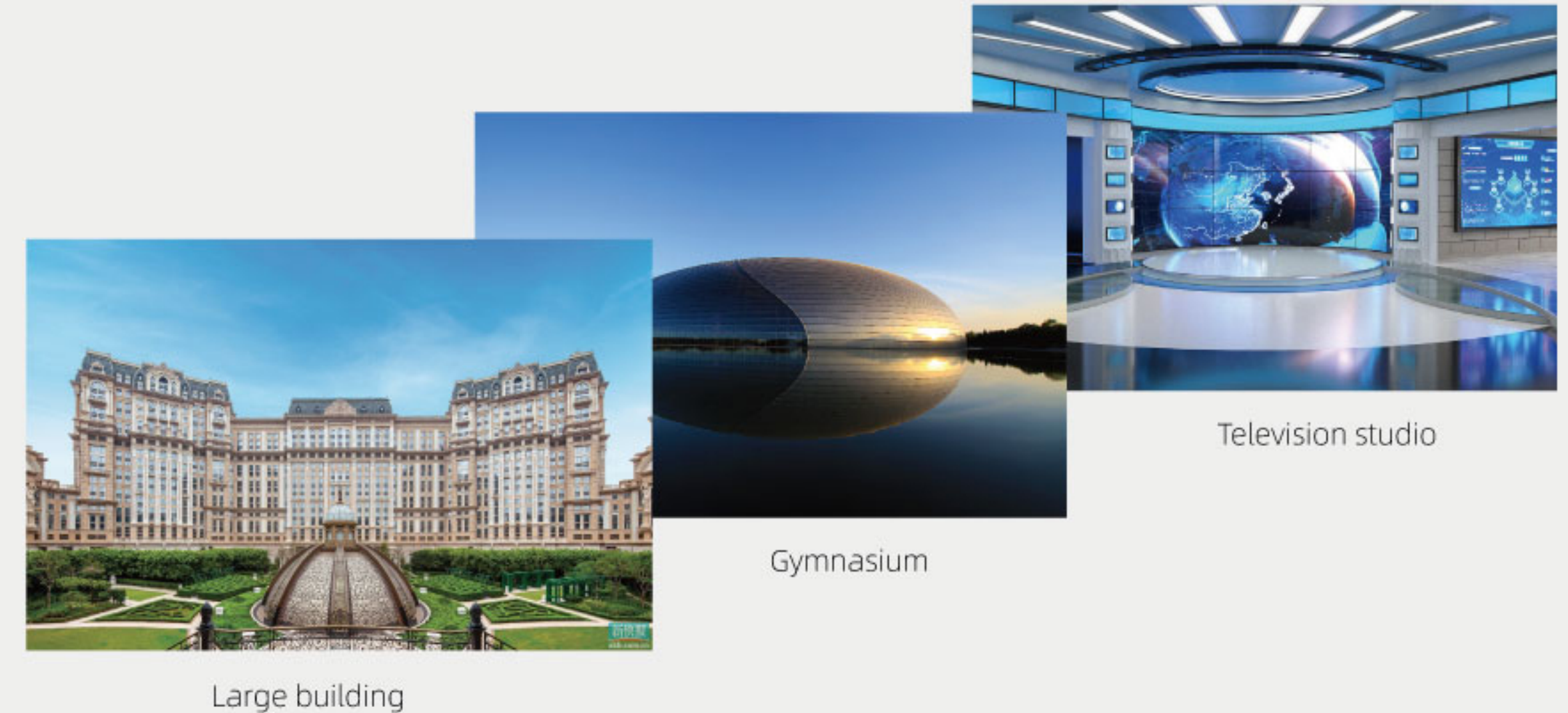


SNN-S6 500kg Parameters

Model	SNN-S6-0.5
Capacity	0.5 t
Test load	0.625 t
Protection level	IP55
Classification	1AM/M4
Lifting speed	4.3 m/min
Motor	0.9 kw
Load chain	Φ7.1×21
Load chain falls	1
Net weight	35
Chain weight	1.07 kg/m

SNN-S6 1000kg Parameters

Model	SNN-S6-1
Capacity	1 t
Test load	1.25 t
Protection level	IP55
Classification	1AM/M4
Lifting speed	4.3 m/min
Motor	0.9 kw
Load chain	Φ7.1×21
Load chain falls	1
Net weight	36
Chain weight	1.07 kg/m



Large building

Gymnasium

Television studio

Providing intelligent control system, intelligent stage hoist, fixed installation hoist and safety accessories for TV stations, theatres, cultural centers, hotels, bars, gymnasiums and other places; Providing lifting point structure design and overall solution.



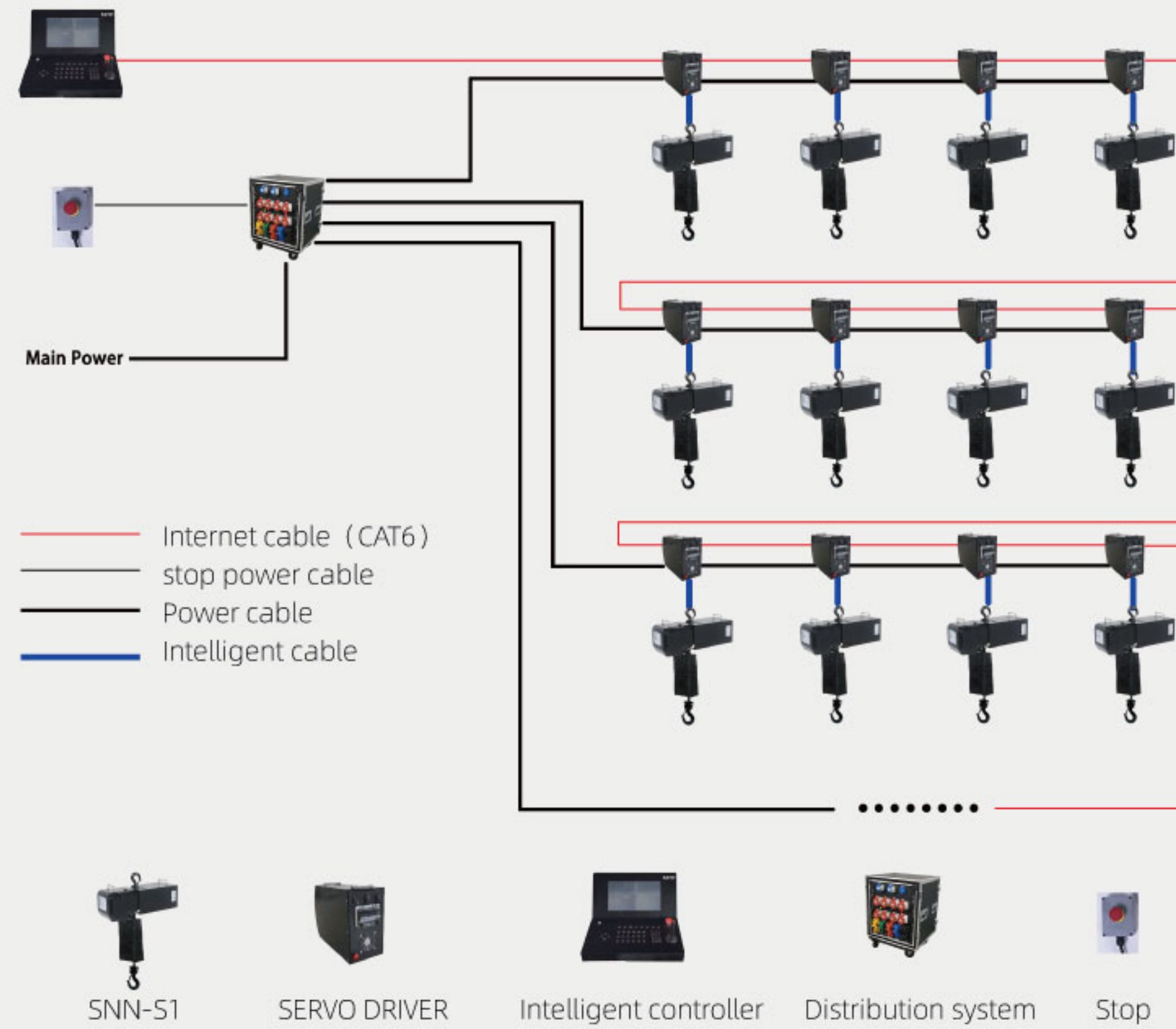
Bar

Hotel

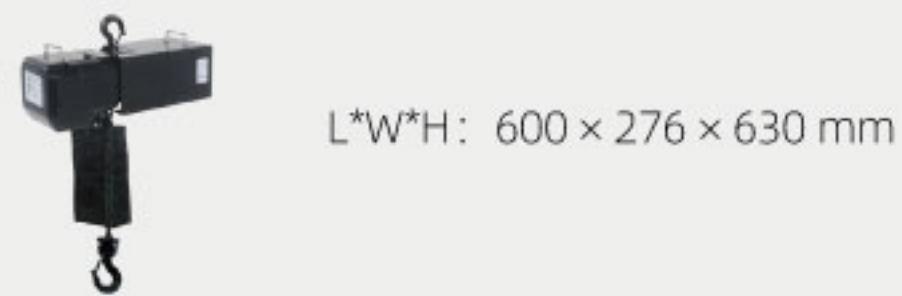
Theatre



## FIXED INSTALLATION OF INTELLIGENT HOIST



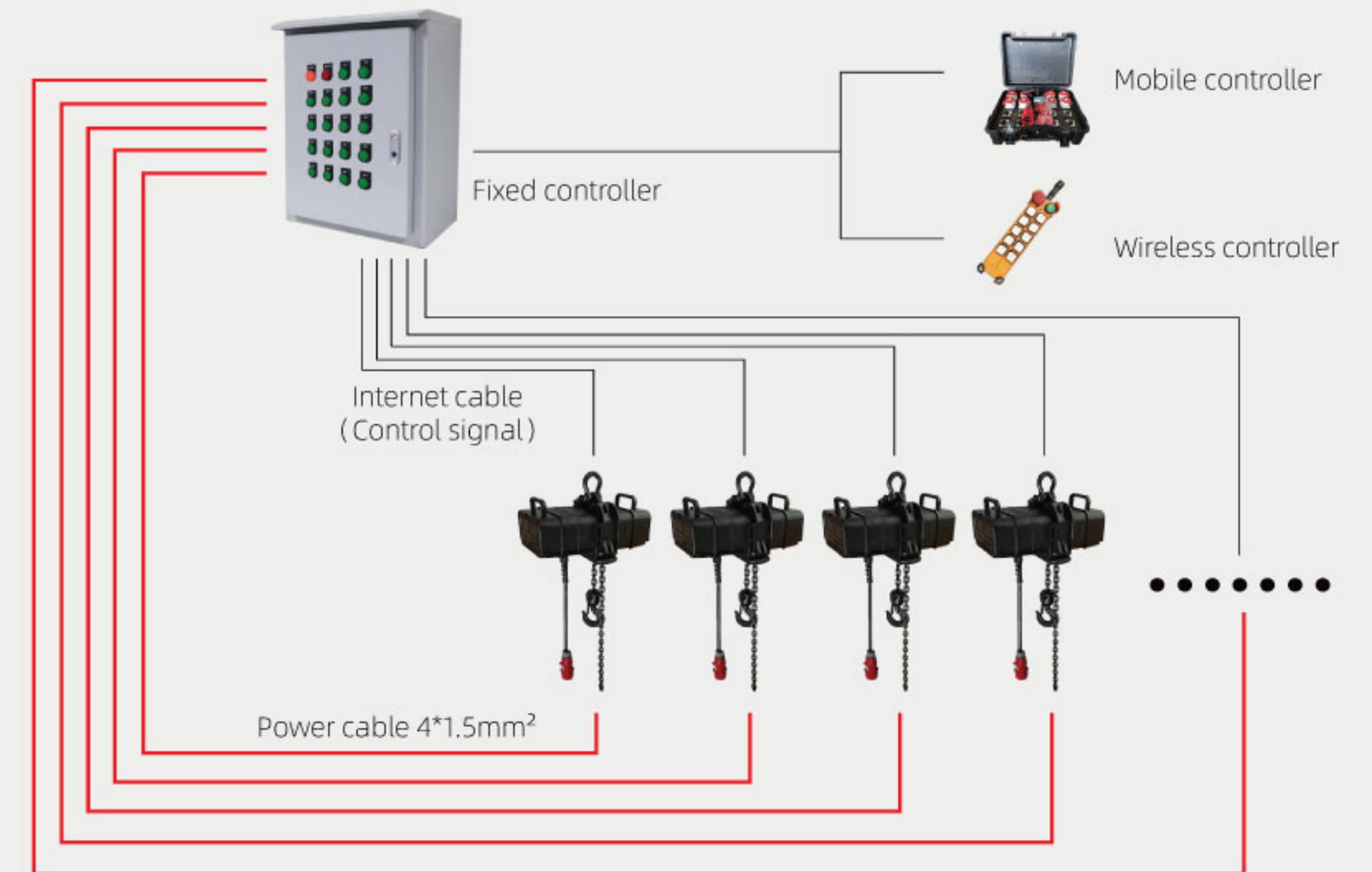
### Installation dimension



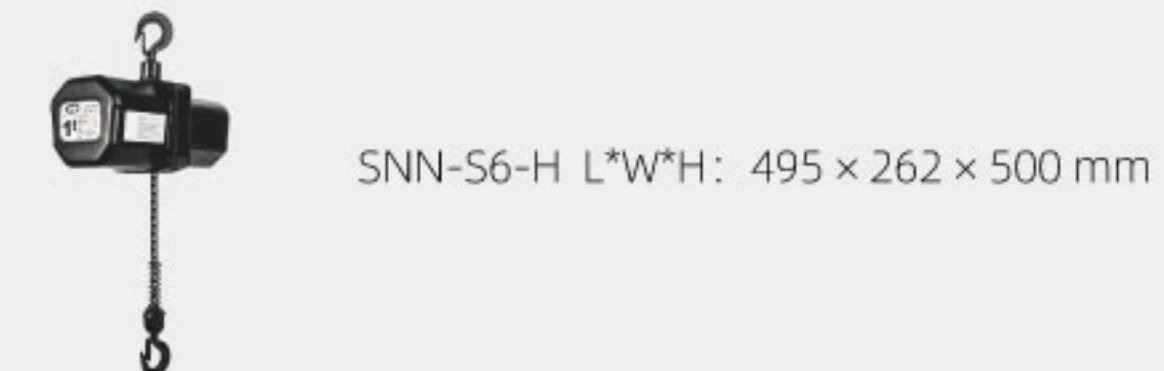
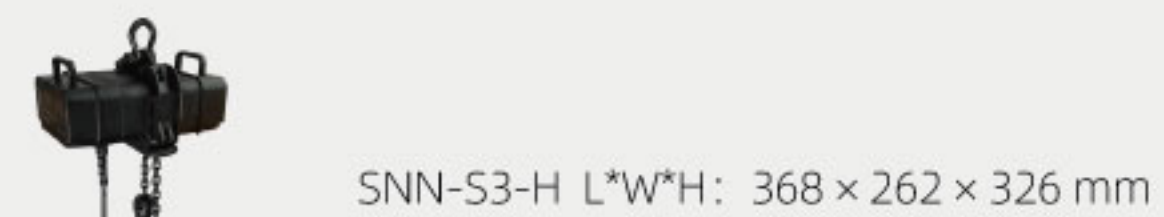
### Control mode

The intelligent control system can adopt intelligent controller or notebook computer.

## FIXED INSTALLATION OF ELECTRIC STAGE HOIST



### For option



### Control mode

36V weak current control, separated from strong current, makes use safer. Wireless remote control, marshaling control, console control and other control modes can be selected at will.



**D8+ ELECTRIC STAGE HOIST** FIXED TYPE



Individual mechanical brake and electromagnetic brake, ensure stage hoist safe during working.



Overload protection, shut down at 120%SWL. (for option)



FEC DAT load chain according to EN818-7 standards. Mini break testing meet 8 times safety factor.



High Strength Aluminum, Light weight, high strength, corrosion resistance. Reach to IP 65.



Alloy Steel Forging Hook, It can be rotated 360° and meet 10 times safety factor, has protecting cover.



5-tooth Load Sprocket, Finish machining by CNC machining center. Suspension type design, convenient maintenance.



Up and down limit switch.



Folding handle design, easy for transportation.

**SNN-S3-H 500kg Parameters**

Model	SNN-S3-0.5H D8+
Capacity	0.5 t
Test load	0.625 t
Protection level	IP65
Classification	1AM/M4
Lifting speed	4 m/min
Motor	0.8 kw
Load chain	Φ7.1×21
Load chain falls	1
Net weight	30
Chain weight	1.07 kg/m

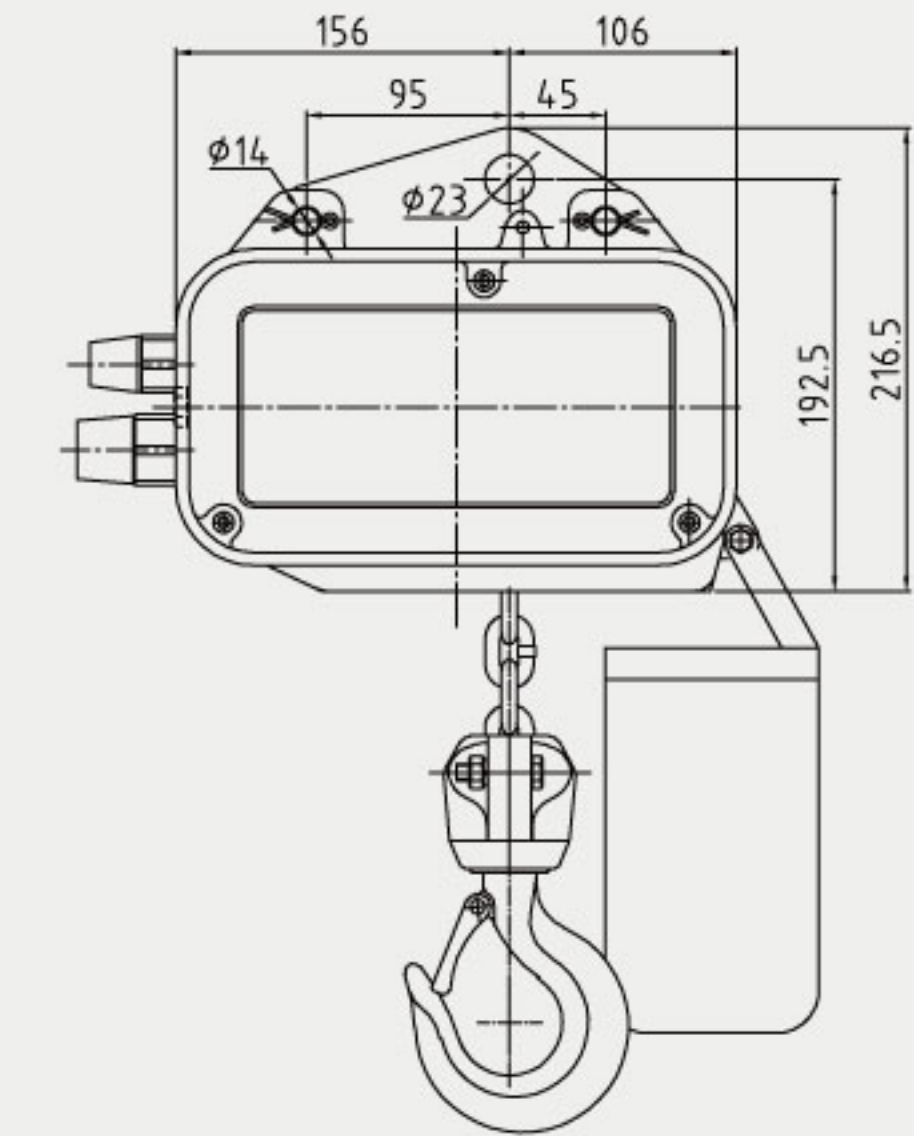
**SNN-S3-H 1000kg Parameters**

Model	SNN-S3-1 D8H+
Capacity	1 t
Test load	1.25 t
Protection level	IP65
Classification	1AM/M4
Lifting speed	4 m/min
Motor	0.8 kw
Load chain	Φ7.1×21
Load chain falls	1
Net weight	30.5
Chain weight	1.07 kg/m

**SNN-S3-H D8+ 500kg FEATURE**

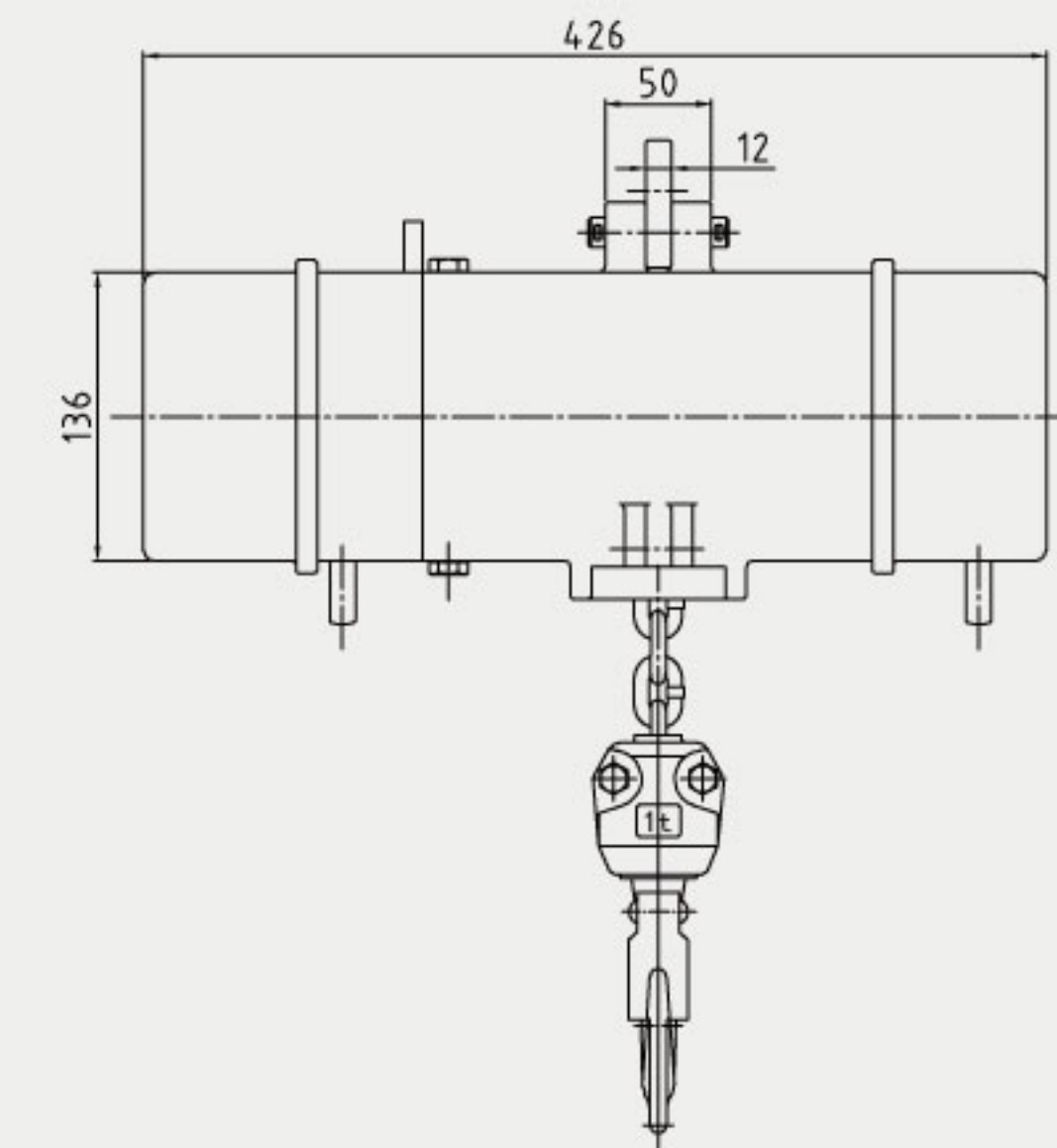
Safety factor	8: 1 / 10: 1
Brake	2
Lifting speed	4 m/min
Noise	≤65dB
Chain	EN818-7 Φ7.1×21
Limit switch	yes
Overload protection	for option
Load monitoring	for option
Emergency Stopper	for option
Hoist size	426×262×217 mm
Flight case	540×540×490 mm

**SNN-S3-H Dimension**



**SNN-S3-H D8+ 1000kg FEATURE**

Safety factor	8: 1 / 10: 1
Brake	2
Lifting speed	4 m/min
Noise	≤65dB
Chain	EN818-7 Φ7.1×21
Limit switch	yes
Overload protection	for option
Load monitoring	for option
Emergency Stopper	for option
Hoist size	426×262×217 mm
Flight case	540×540×490 mm

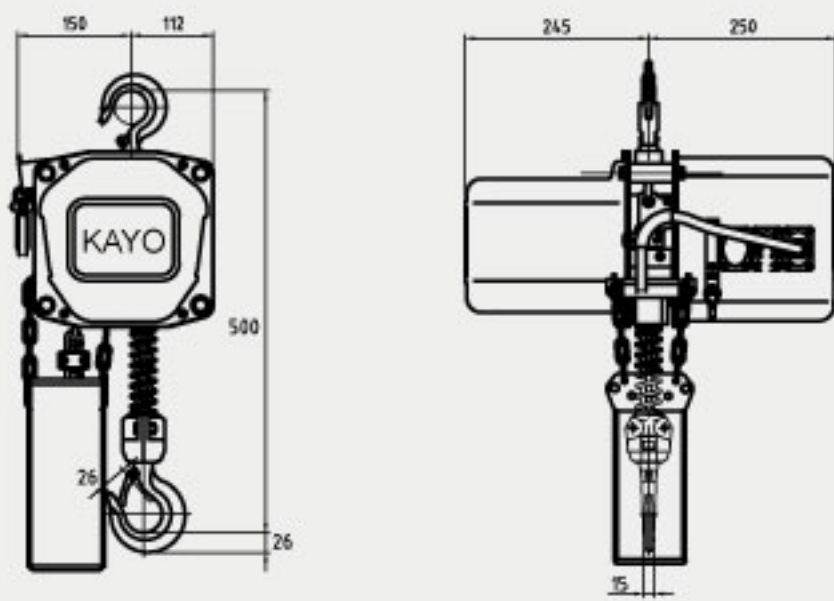




# D8 ELECTRIC STAGE HOIST FIXED TYPE



- 1、 Both top and bottom hook made of high tensile alloy steel, can be rotated 360° and meet 8 times safety factor.
- 2、 3 Times safety latch, overload visualization, more safety.
- 3、 Special casting gear after heat treatment, it has higher strength and durability, less operation noisy.
- 4、 Special casting gear after heat treatment, it has higher strength and durability, less operation noisy.
- 5、 G80 load chain. The minimum breaking force meet 6 times safety factor G100 load chain and Imported FEC load chain is for option.
- 6、 Electrical components pass durability test, longer working life.
- 7、 Folding handle design, easy for transportation.
- 8、 Adjustment limit switch devices can fit a chain stopper at top chain ends, any preset position can be stopped during the ascending and descending process.
- 9、 DC brake system without asbestos, consumption of electricity reduced efficiently.



### SNN-S6 500kg Parameters

Model	SNN-S6
Capacity	0.5 t
Test load	0.625 t
Protection level	IP55
Classification	1AM/M4
Lifting speed	4.3 m/min
Motor	0.9 kw
Load chain	Φ7.1×21
Load chain falls	1
Net weight	35
Chain weight	1.07 kg/m

### SNN-S6 1000kg Parameters

Model	SNN-S6
Capacity	1 t
Test load	1.25 t
Protection level	IP55
Classification	1AM/M4
Lifting speed	4.3 m/min
Motor	0.9 kw
Load chain	Φ7.1×21
Load chain falls	1
Net weight	36
Chain weight	1.07 kg/m

# FIXED TYPE CONTROLLER

Due to the differences in site and working conditions, the requirements for controllers in projects are higher and different. Our company has developed three different controllers according to the actual use.

## FIXED CONTROLLER



- START: Start working
  - STOP: Emergency stop
  - LED RIGHT: The light will be on during operation
  - MANUAL/WIRELESS: Manual control type or wireless control type
  - UP: Hoist rise
  - DOWN: Hoist drop
  - HOIST 1: Choose hoist
1. 24V lower control voltage, more safe
  2. Single hoist control, group hoist control and arbitrary grouping control
  3. With phase protection function
  4. With emergency stop function on power

## Wireless controller

- START: Start working
- STOP: Emergency stop
- UP: Rising function
- DOWN: Lowering function
- 1,2,3,4: Click one time to choose the hoist, and then click second time to cancel



## MOBILE CONTROLLER

1. Single hoist control
2. Group hoist control
3. Arbitrary grouping control



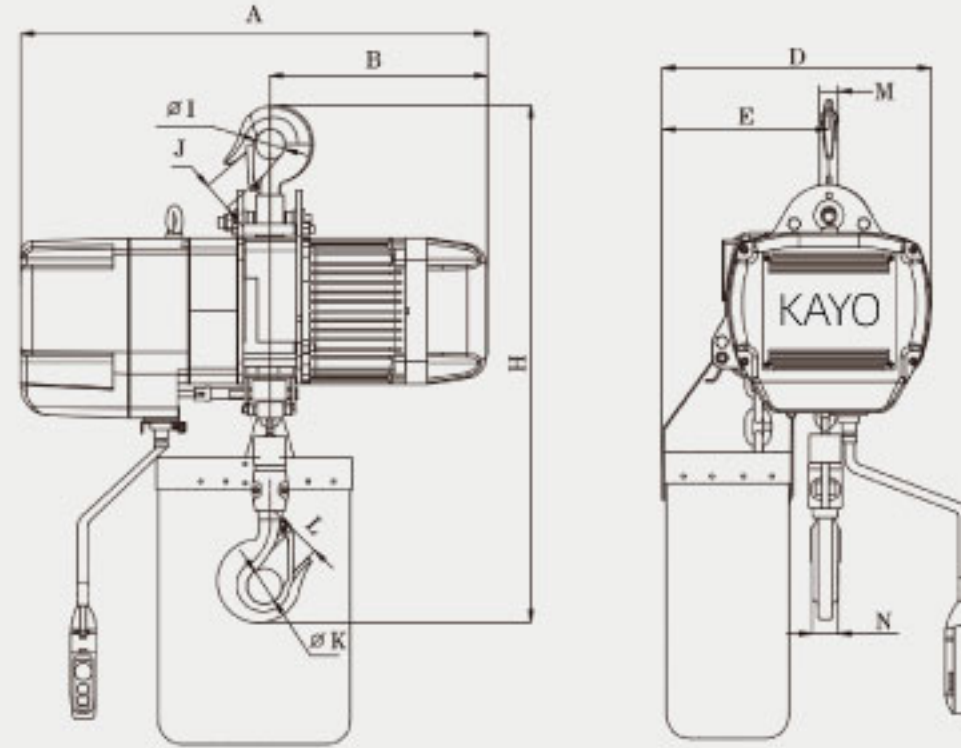




**04** OTHER PRODUCTS



**STAGE HOIST**

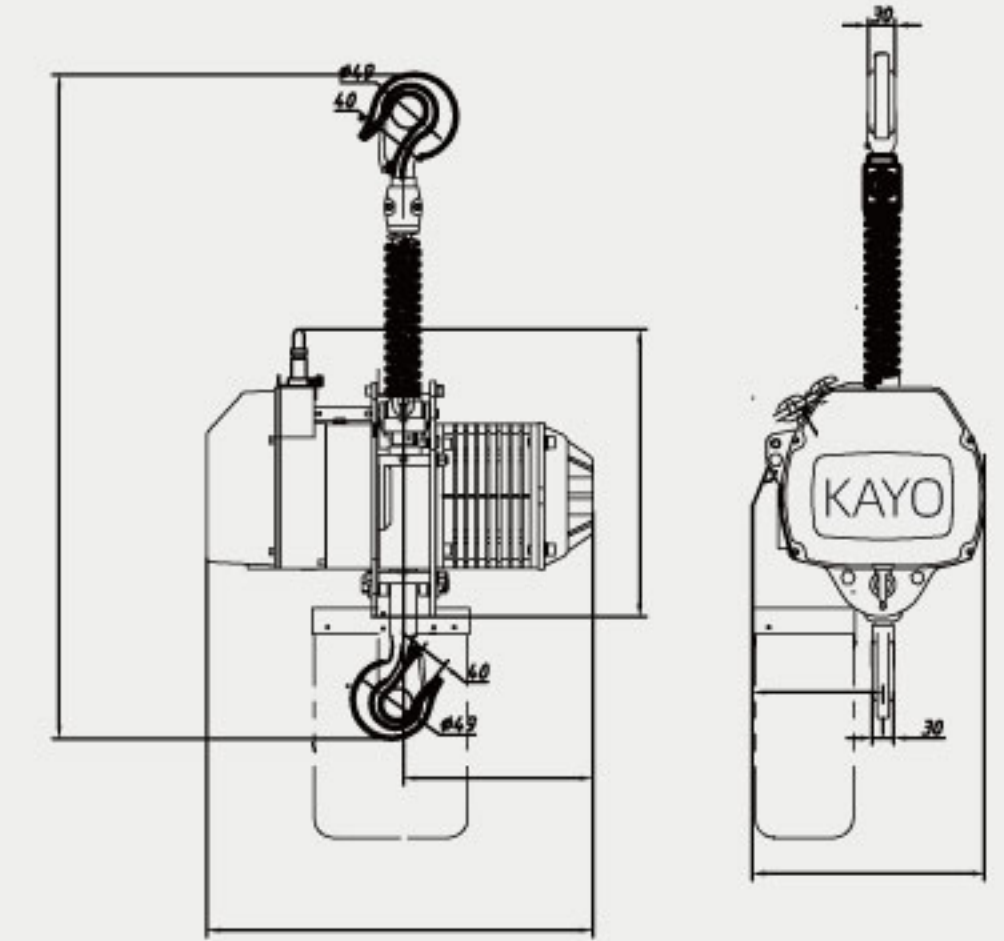


SNN-S1-H-2.0 L\*W\*H: 615 × 430 × 800 mm  
 SNN-S1-H-2.5 L\*W\*H: 615 × 430 × 845 mm  
 SNN-S1-H-5.0 L\*W\*H: 615 × 430 × 1030 mm

**SNN-S1-H Parameters**

Model	SNN-S1-H-2.0	SNN-S1-H-2.5	SNN-S1-H-5.0
Capacity	2.0 t	2.5 t	5 t
Test load	2.5 t	3.125 t	5.25 t
Protection level	IP55	IP55	IP55
Classification	1AM/M4	1AM/M4	1AM/M4
Lifting speed	4.4 m/min	3.6 m/min	1.8 m/min
Motor	3.0 kw	3.0 kw	3.0 kw
Load chain	Φ10.0×30 mm	Φ11.2×34 mm	Φ11.2×34 mm
Load chain falls	1	1	2
Net weight	93 kg	93 kg	105 kg
Chain weight	2.2 kg/m	2.68 kg/m	2.68×2 kg/m

**STAGE HOIST**



SNN-S1-V-2.0 L\*W\*H: 615 × 430 × 800 mm  
 SNN-S1-V-2.5 L\*W\*H: 615 × 430 × 845 mm  
 SNN-S1-V-5.0 L\*W\*H: 615 × 430 × 1030 mm

**SNN-S1-V Parameters**

Model	SNN-S1-V-2.0	SNN-S1-V-2.5	SNN-S1-V-5.0
Capacity	2.0 t	2.5 t	5.0 t
Test load	2.5 t	3.125 t	6.25 t
Protection level	IP55	IP55	IP55
Classification	1AM/M4	1AM/M4	1AM/M4
Lifting speed	4.4 m/min	3.6 m/min	1.8 m/min
Motor	3.0 kw	3.0 kw	3.0 kw
Load chain	Φ10.0×30 mm	Φ11.2×34 mm	Φ11.2×34 mm
Load chain falls	1	1	2
Net weight	93 kg	93 kg	105 kg
Chain weight	2.2 kg/m	2.68 kg/m	2.68×2 kg/m

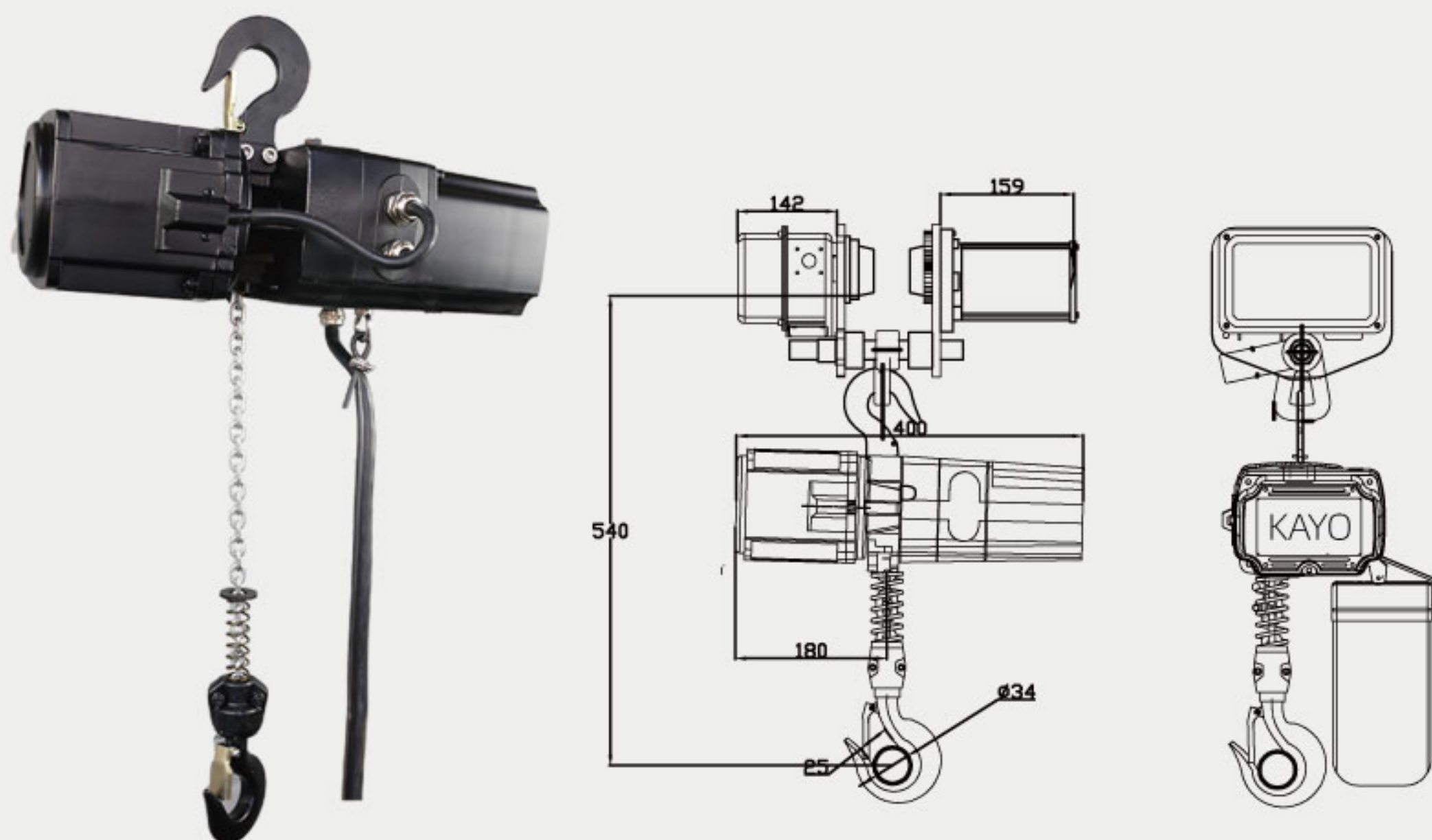


# KAYO

# SNN-S3-H

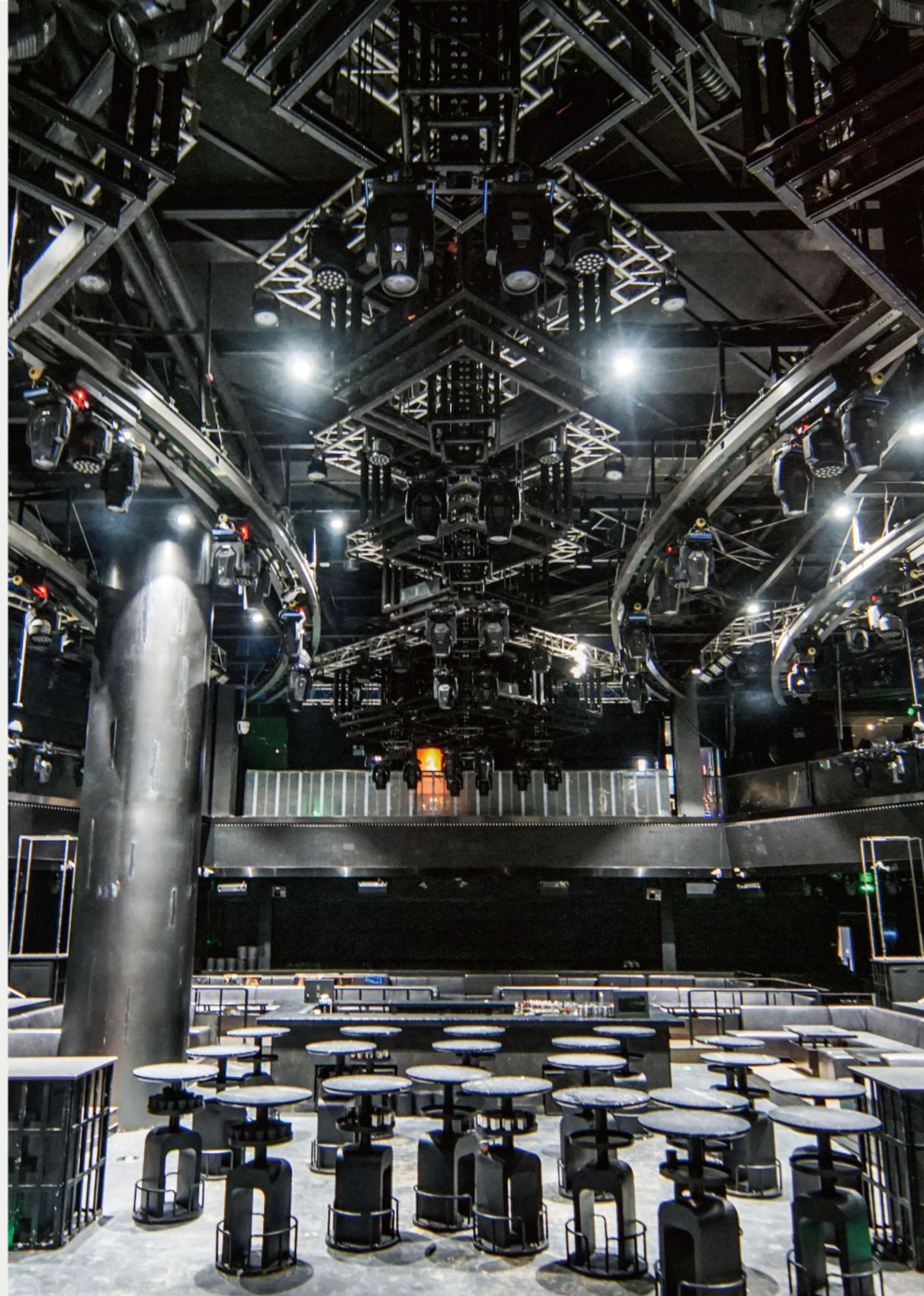
## BGV-D8

### STAGE HOIST Fixed type



#### SNN-S3-H Parameters

Model	SNN-S3-H
Capacity	150 kg
Test load	187.5 kg
Protection level	IP55
Classification	1AM/M4
Lifting speed	4 m/min
Motor	0.4 kw
Load chain	Φ4.0×12 mm
Load chain falls	1
Net weight	21 kg
Chain weight	0.4 kg/m



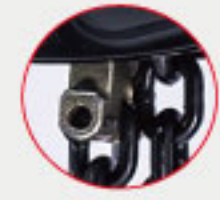


# HSZ MANUAL STAGE HOIST D1

# 360° MANUAL STAGE HOIST D2



Two pawl designs make braking more superior



End ring design is according to European standards`



Safety latch insertion design makes hoisting safer.



Four points support design makes frame better strength, longer service timea



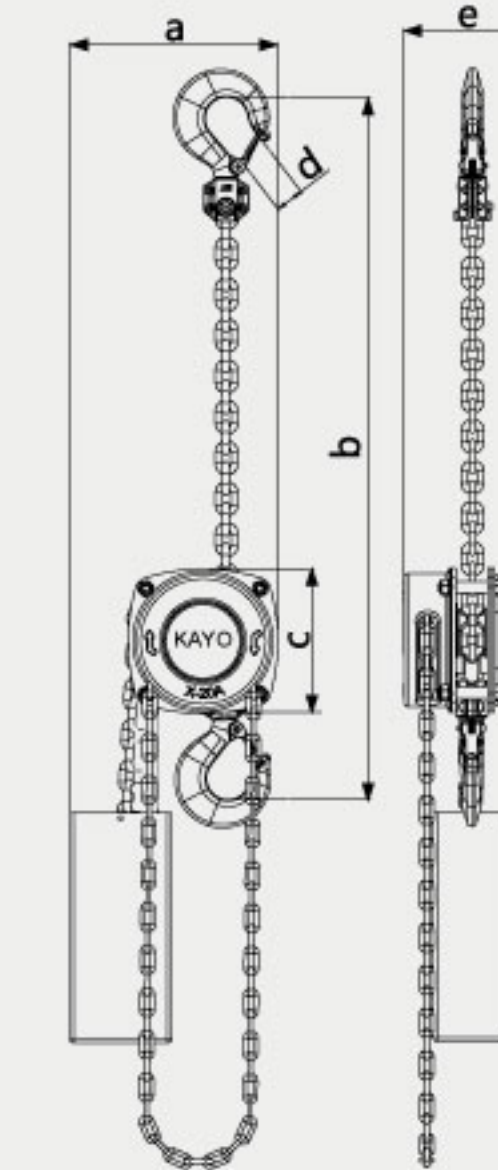
All gear assemblies are made of 20crMnTi material, which makes the strength and toughness of gear assemblies better



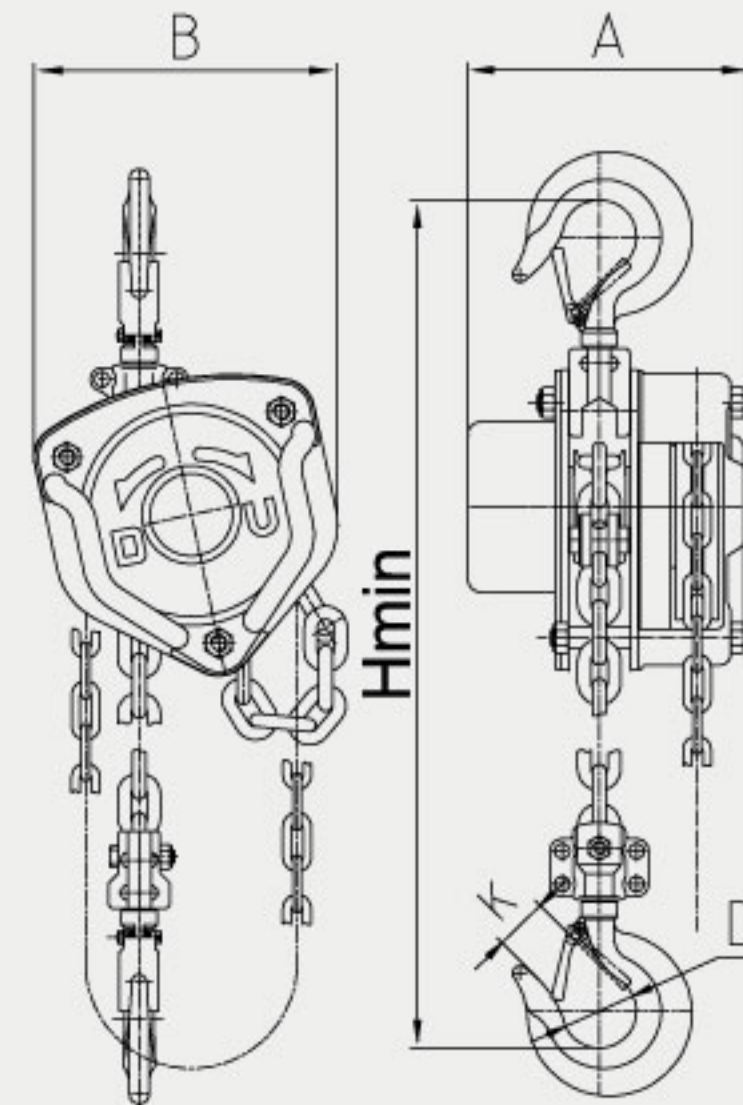
The sprockets produced by CNC machinery,it makes the chain run more smoothly



Blackening treatment load chain can ensure long-term rust and corrosion protection function.



Model	HSZ-1D1	HSZ-2D1
Capacity	1000 kg	2000 kg
Standard lift	3 m	3 m
Load chain falls	1	1
Effort required to lift max load	320 N	365 N
Test load	1230 kg	2450 kg
Load chain	6×18 mm	8×24 mm
Hand chain	5×25 mm	5×25 mm
Net weight	12 kg	18 kg
Packing weight	12.5 kg	19.6 kg
Load chain/m	0.77 kg/m	1.36 kg/m
Hand chain/m	0.9 kg/m	0.9 kg/m
A	146.5 mm	170 mm
B	162 mm	194 mm
D	35.5 mm	42.5 mm
Hmin	340 mm	440 mm



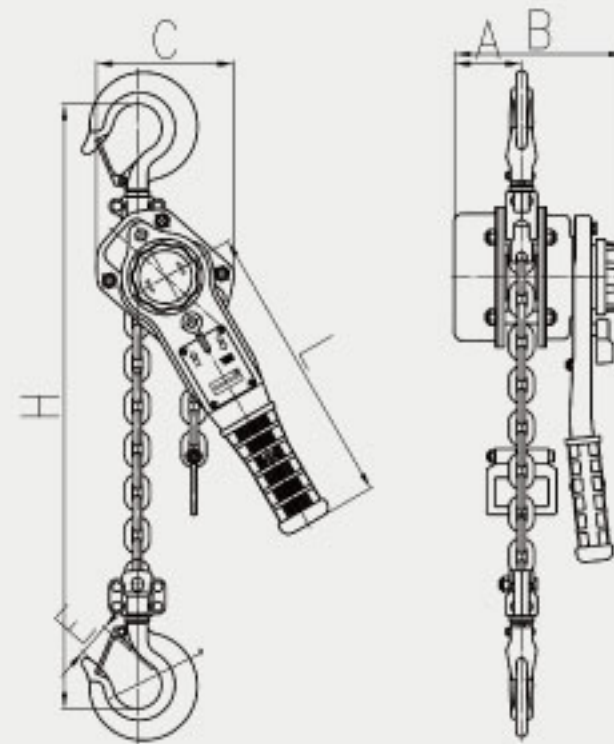
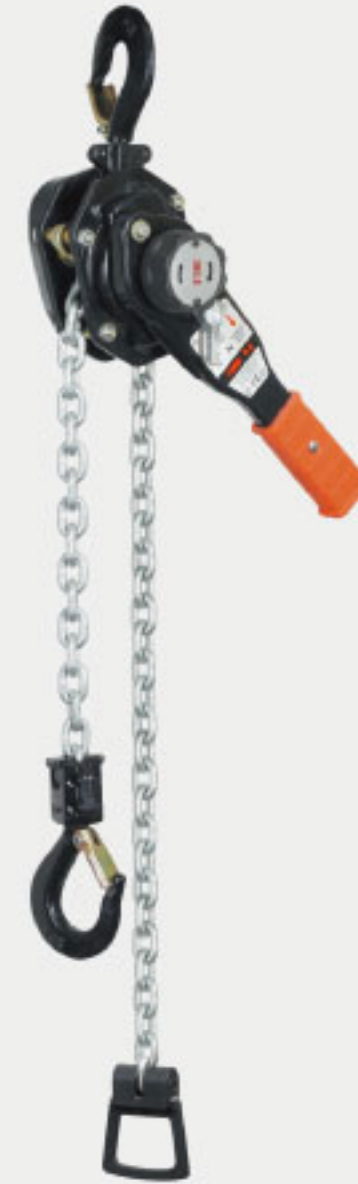
Model	HSZ-1D2	HSZ-2D2
Capacity	1000 kg	2000 kg
Standard lift	3 m	3 m
Load chain falls	1	1
Effort required to lift max load	305 N	340 N
Test load	1500 kg	3000 kg
Load chain	6×18 mm	8×24 mm
Hand chain	5×25 mm	5×25 mm
Net weight	12 kg	18 kg
Packing weight	12.5 kg	19.6 kg
Load chain/m	0.77 kg/m	1.36 kg/m
Hand chain/m	0.9 kg/m	0.9 kg/m
a	182 mm	206 mm
e	145 mm	157 mm
d	35 mm	40 mm
Hmin	361 mm	413 mm



# HSZ MANUAL STAGE HOIST

Make by Standard: EN13157

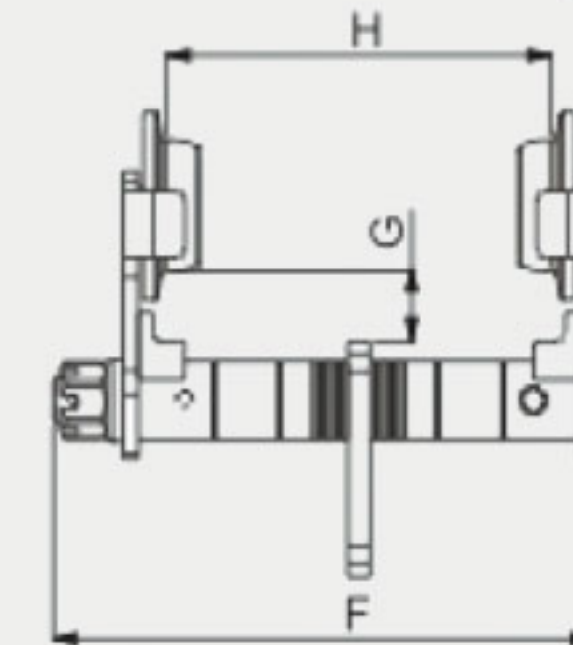
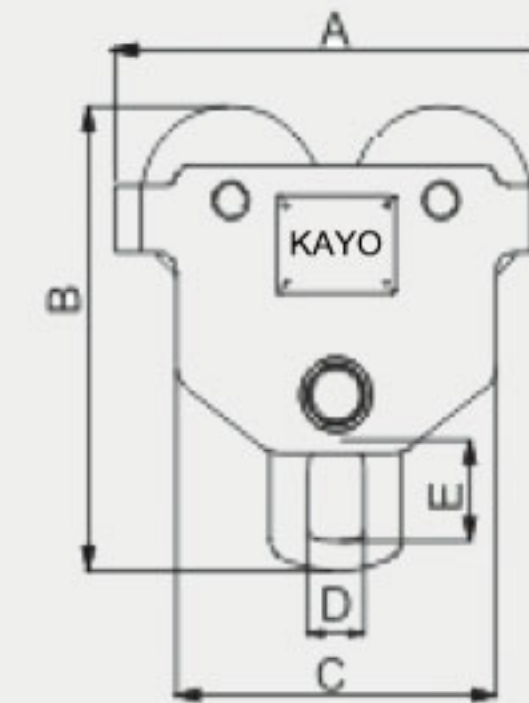
1. Lever hoist capacity range is from 0.75 ton to 9 ton.
2. Machined chain sprocket and gears provide smoother, more efficient operation.
3. Hook with safety latch can rotate freely 360 degrees.
4. Gears are made up of 20CrMnTi, material which ensures toughness and better strength.
5. Grade 80 alloy steel load chain with black oxidation finish for corrosion resistance (comply with EN 818-7, safety factor 4).
6. Heavy duty guide rollers avoid slippage of load chain.
7. Nylon pull ring.
8. All hoists tested at 1.5 times of WLL.



Model	HSZ-75L	HSZ-150L	HSZ-300L
Capacity	750 kg	1500 kg	3000 kg
Standard lift	1.5 m	1.5 m	1.5 m
Load chain falls	1	1	1
Effort required to lift max load	220 N	240 N	330 N
Test load	1125 kg	2250 kg	4500 kg
Load chain	5.6×16.7 mm	7.1×21.2 mm	9×27 mm
Net weight	5.3 kg	8.6 kg	15.2 kg
Packing weight	5.6 kg	8.9 kg	15.6 kg
Packing size	31×16×12	35×18×13	48×20×13.5
Load chain/m	0.7 kg/m	1.1 kg/m	1.8 kg/m
B	146.5 mm	170 mm	170 mm
C	162 mm	194 mm	194 mm
E	35.5 mm	42.5 mm	42.5 mm
Hmin	340 mm	440 mm	440 mm

# GTC I-BEAM TROLLEY

1. Adjustable to any beam width, simply by adjusting the number of collars.
2. The wheels are made to fit any shape of beam.
3. High grade sealed ball bearings.
4. More thickness of the steel plates and strong shaft ensure the good safety.
5. Keep the forged steel moving wheel from tipping.
6. The safety test is 6 times of capacity.
7. Super quality for long lasting.



Model	GTC-0.5T	GTC-1T	GTC-2T	GTC-3T
Capacity	500 kg	1000 kg	2000 kg	3000 kg
Test load	750 kg	1500 kg	3000 kg	4500 kg
Steering wheel	50-203 mm	64-203 mm	88-203 mm	100-203 mm
Net weight	6.1 kg	9.8 kg	16.2 kg	26.1 kg
Packing weight	6.62 kg	10.4 kg	17 kg	27.1 kg
A	216 mm	252 mm	292 mm	350 mm
B	193 mm	235 mm	283 mm	329 mm
C	146 mm	170 mm	202 mm	235 mm
D	30 mm	30 mm	27 mm	42 mm
E	22 mm	45 mm	59 mm	73 mm
F	279 mm	280 mm	294 mm	306 mm
G	26 mm	34 mm	28 mm	32 mm
H	203 mm	203 mm	203 mm	203 mm



# FLIGHT CASE

1. Case can be customized.  
(Please provide the model No. or dimension of your hoist, we would get back to you a best solution.)
2. Fireproof board is pasted on the outside of the seven-layer plate.
3. By using automatic typesetting technology, automatic cutting, special shaped cutting and vertical drilling technology, the size of the board is more accurate and making less wastage.
4. CARJET global rubber wheels, each wheel bearing 80kg, High load bearing wheels ensures your goods get to the location hassle free and without damage.
5. Medium Recessed Butterfly Latch in Deep Plain Dish.
6. Securely close your case with a Penn Elcom latch mounted in a medium recessed dish. For use on small to medium-sized cases. The PennBrite zinc plating offers an excellent protection against corrosion with a distinctive bright Penn Elcom finish.
7. Shield the exterior corner joints and edgings of your case with heavy-duty aluminium extrusions. Ideal for framing cases that are created box style with overlapping panel corner edges.



# MANUL HOIST RED BOX



## 05 ACCESSORIES



### ROUND WEB SLING

Protect the surface of the goods from damage.  
Using imported UV can reduce and resist material aging.  
Moisture resistance, good heat resistance, up to 120 degrees.  
Low distortion, low loss and long life (100% polyester yarn).  
7 times safety factor.(For higher deadweight and special length, it can be customized according to the requirements).



### CABLE

Electric hoist connecting cable.  
Waterproof aviation plug, 4x15mm<sup>2</sup>international cable.



### I-BEAM CLAMP

Capacity:1-10T  
The surface is matted black treatment, fire prevention, corrosion prevention, 8 times safety factor, CE certificate



### SHACKLE

Workload range: 1to 43 tons.  
Size from 3/16" to 2".  
Surface galvanized polishing treatment.  
The shackle itself is printed with the working load for easy identification.  
Safety 6:1.  
Heat treatment, long life. Wear resistance and fire resistance.  
Proven by testing.  
When a single shackle is used, the rated load is reduced to a qualified weight as recommended.



### CABLE GUIDER

In the rise and fall, it's used for collecting cable. For this design, our company has patent certificate.



### RATCHET TIE DOWN

Standard length is 8m, can custom-made 1-50m.  
Suitable environmental temperature is -40 - 100°C.  
Conform to European Standard EN12195-2



# — PROJECT —

DONGFANG TV NEW YEAR PARTY



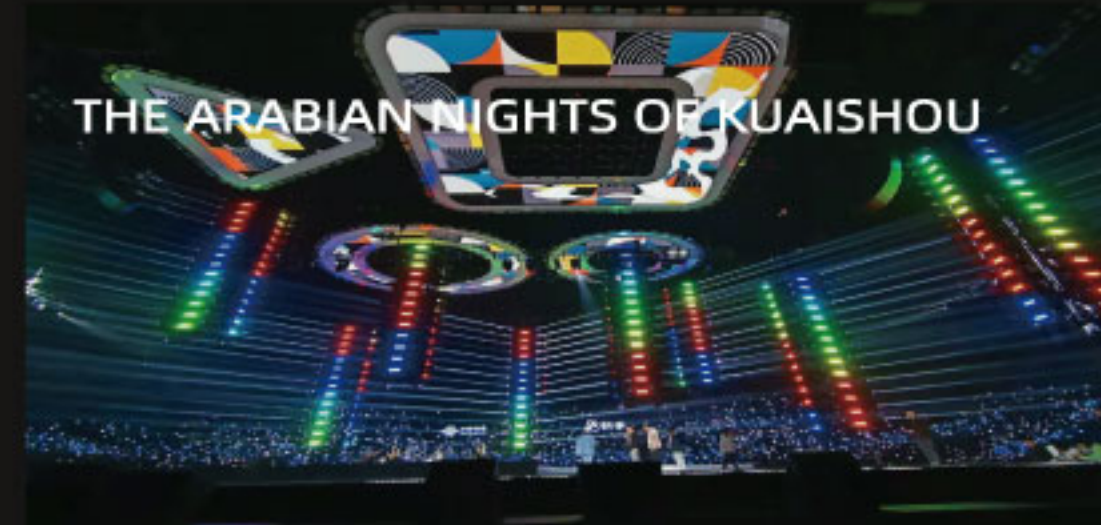
SUNING SUPER SHOW



HIGH-PROFILE YOUTH SHOW



THE ARABIAN NIGHTS OF KUAISHOU



TAIWAN NAVY NEW YEAR PARTY



T2 DIAMONO



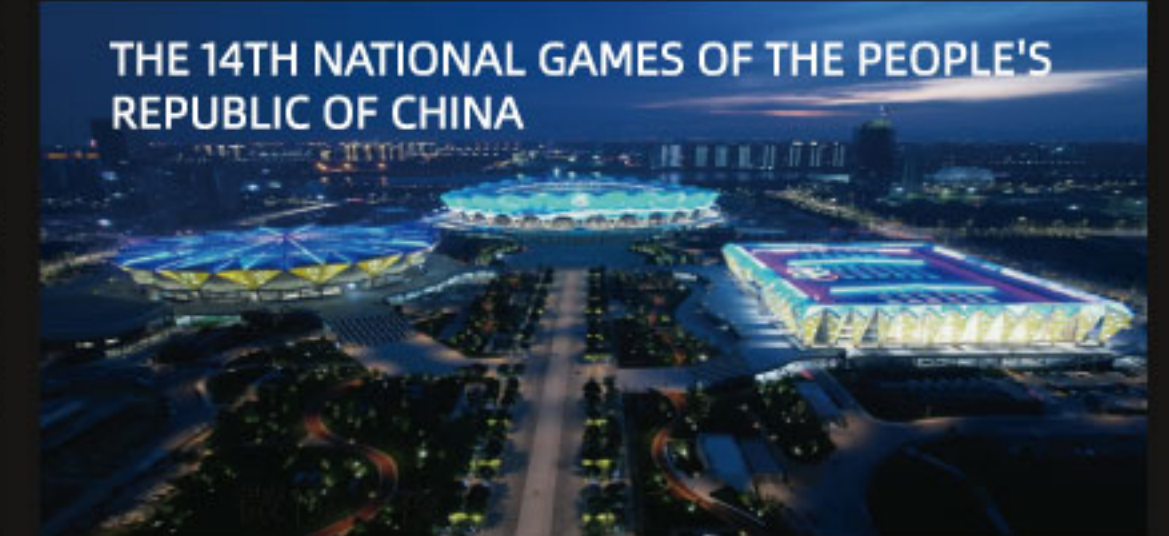
YICHE APP SUPER 818 CAR CARNIVAL NIGHT



CCTV2 NATIONAL TREASURE CONFERENCE  
YANGKUN GLOBAL TOUR



THE 14TH NATIONAL GAMES OF THE PEOPLE'S  
REPUBLIC OF CHINA



HUNAN SATELLITE TV NEW YEAR



ZHEJIANG SATELLITE TV NEW YEAR



YANGKUN GLOBAL TOUR



TIANMAO 618



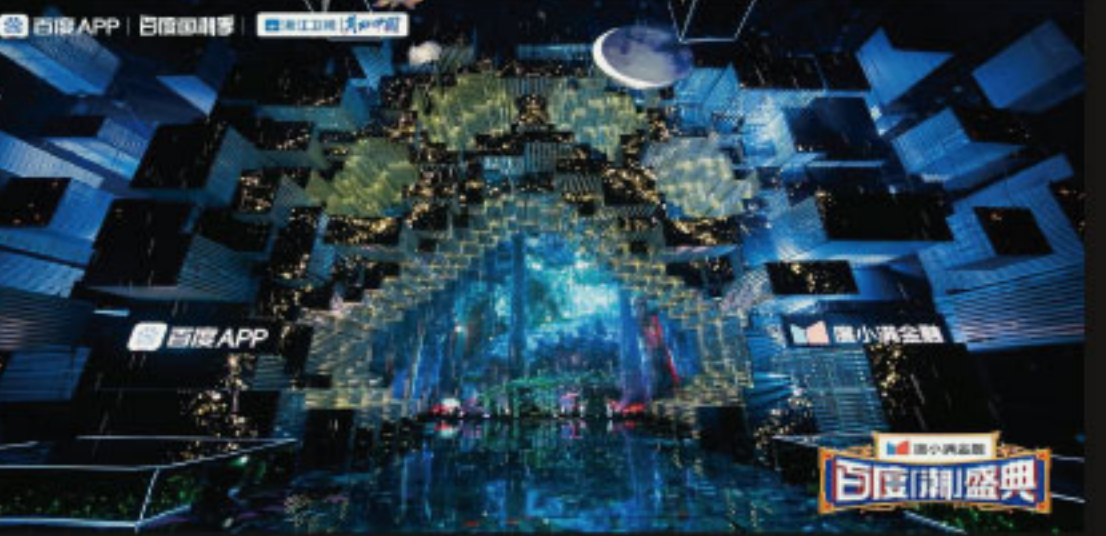
THE BIG BAND



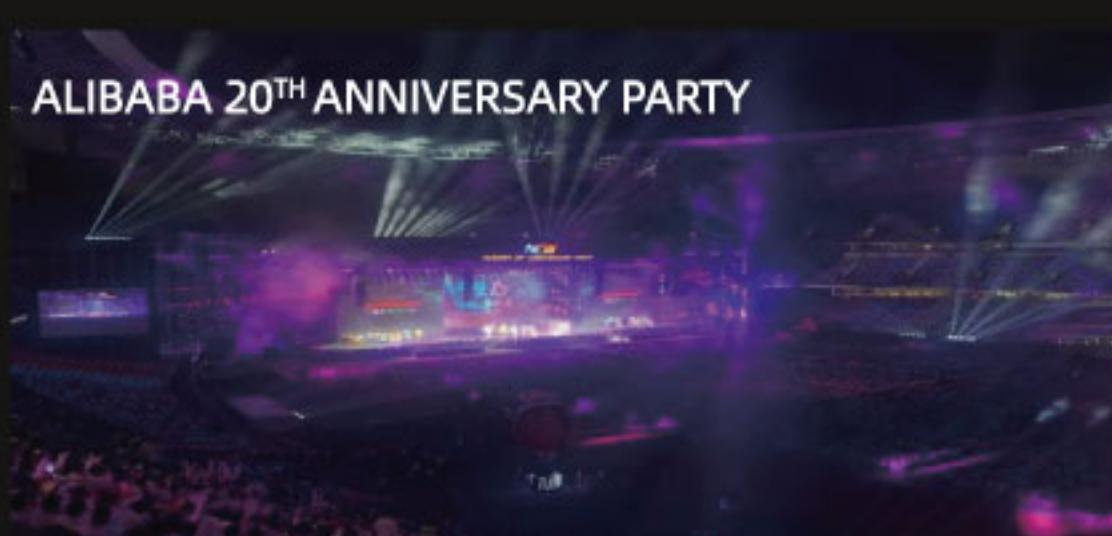
JINGDONG 618 CELEBRATION



BAIDU CURIOUS NIGHT



ALIBABA 20TH ANNIVERSARY PARTY



DUNK OF CHINA



BEIJING SATELLITE TV NEW YEAR



THE 13TH NATIONAL GAMES OF THE PEOPLE'S  
REPUBLIC OF CHINA

