

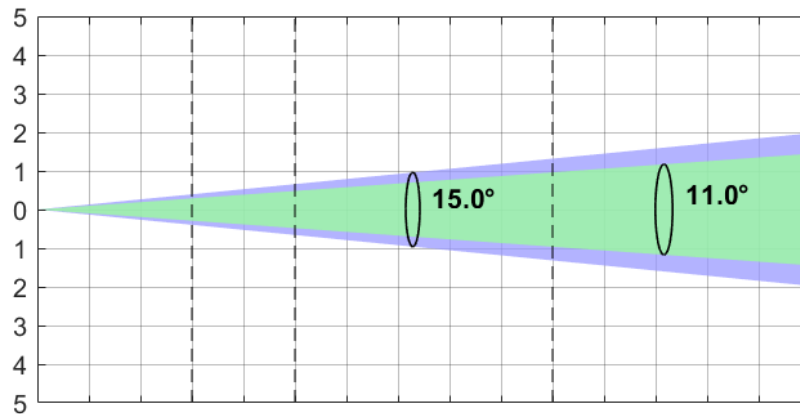
**Key:** Diameter 10%-50%: beam diameter for 10% and 50% of maximum illumination  
**\*Lumen values detected with integrating sphere**

**Minimum Zoom – X axis**

### FULL Color (Constant mode) (15° 10% - 11° 50%)

**Total Output: 5192 lumens**

lux (fc)    0            36325 (3375)        13077 (1215)        3269 (304)        1453 (135)

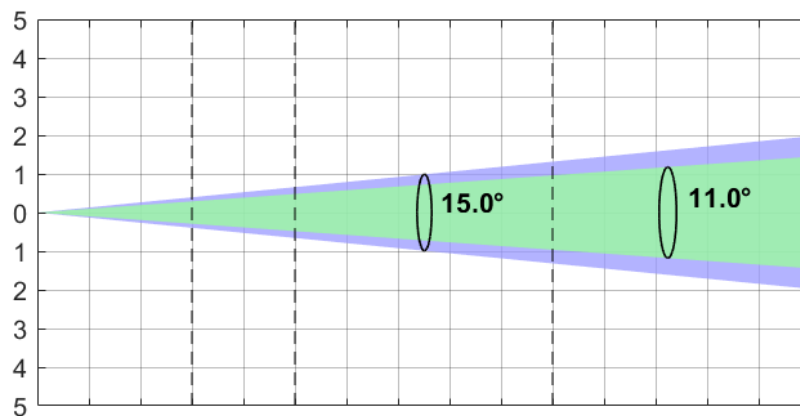


Distance	m (ft in)	0	3 (9' 10")	5 (16' 5")	10 (32' 10")	15 (49' 3")
Diameter 10%	m (ft in)	0	1.65 (5' 5")	2.75 (9' 0")	5.50 (18' 1")	8.25 (27' 1")
Diameter 50%	m (ft in)	0	1.07 (3' 6")	1.78 (5' 10")	3.56 (11' 8")	5.34 (17' 6")

### RED (Constant mode) (15° 10% - 11° 50%)

**Total Output: 1217 lumens**

lux (fc)    0            7781 (723)        2801 (260)        700 (65)        311 (29)

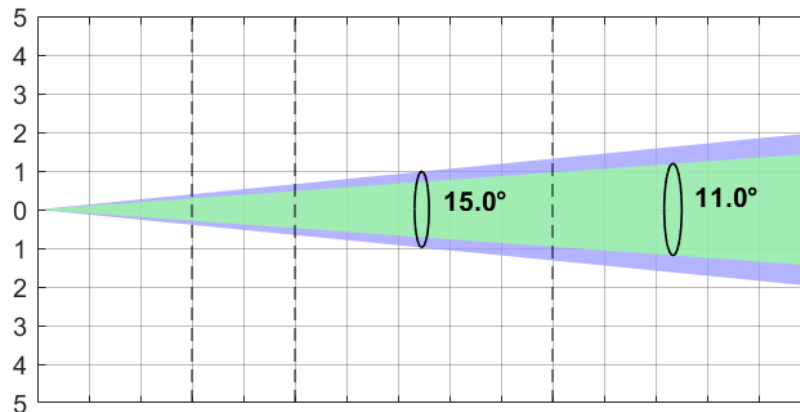


Distance	m (ft in)	0	3 (9' 10")	5 (16' 5")	10 (32' 10")	15 (49' 3")
Diameter 10%	m (ft in)	0	1.67 (5' 6")	2.79 (9' 2")	5.58 (18' 4")	8.37 (27' 6")
Diameter 50%	m (ft in)	0	1.12 (3' 8")	1.86 (6' 1")	3.72 (12' 2")	5.58 (18' 4")

## GREEN (Constant mode) (15° 10% - 11° 50%)

**Total Output: 1865 lumens**

lux (fc)    0            12739 (1183)            4586 (426)            1147 (107)            510 (47)

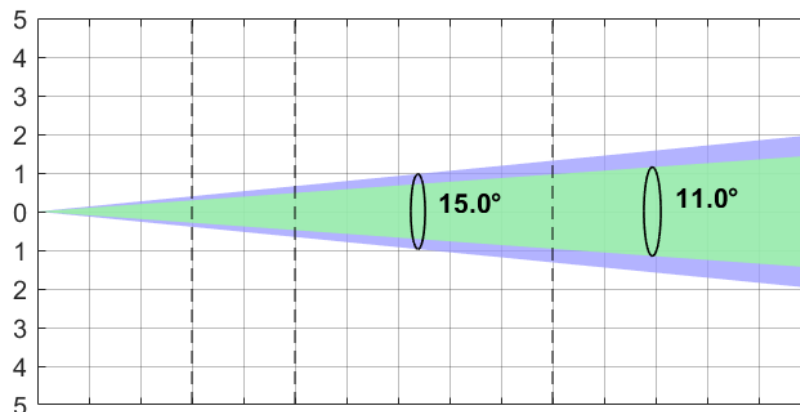


Distance	m (ft in)	0	3 (9' 10")	5 (16' 5")	10 (32' 10")	15 (49' 3")
Diameter 10%	m (ft in)	0	1.65 (5' 5")	2.75 (9' 0")	5.50 (18' 1")	8.25 (27' 1")
Diameter 50%	m (ft in)	0	1.06 (3' 6")	1.77 (5' 10")	3.54 (11' 7")	5.31 (17' 5")

## BLUE (Constant mode) (15° 10% - 11° 50%)

**Total Output: 433 lumens**

lux (fc)    0            3569 (332)            1285 (119)            321 (30)            143 (13)

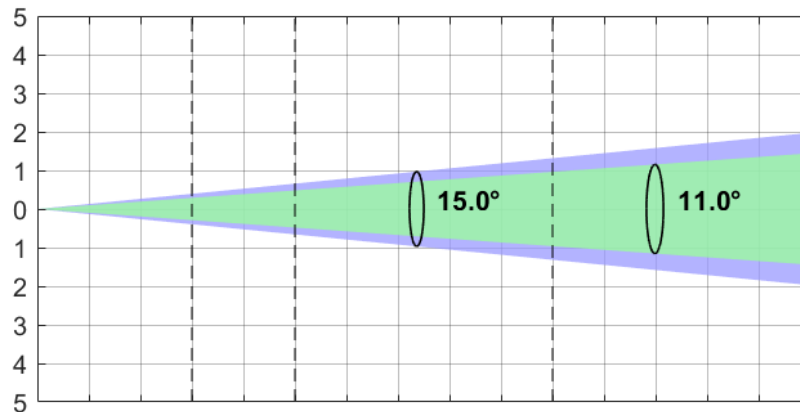


Distance	m (ft in)	0	3 (9' 10")	5 (16' 5")	10 (32' 10")	15 (49' 3")
Diameter 10%	m (ft in)	0	1.73 (5' 8")	2.89 (9' 6")	5.78 (18' 12")	8.67 (28' 5")
Diameter 50%	m (ft in)	0	1.18 (3' 11")	1.97 (6' 6")	3.94 (12' 11")	5.91 (19' 5")

## WHITE (Constant mode) (15° 10% - 11° 50%)

**Total Output: 2990 lumens**

lux (fc)    0            20731 (1926)            7463 (693)            1866 (173)            829 (77)



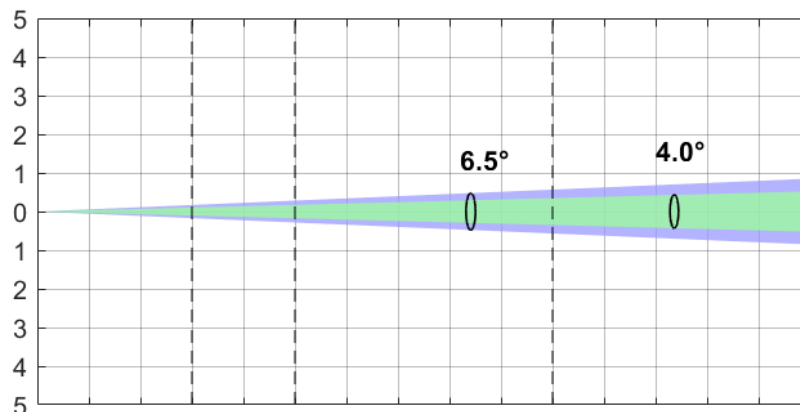
Distance	m (ft in)	0	3 (9' 10")	5 (16' 5")	10 (32' 10")	15 (49' 3")
Diameter 10%	m (ft in)	0	1.65 (5' 5")	2.75 (9' 0")	5.50 (18' 1")	8.25 (27' 1")
Diameter 50%	m (ft in)	0	1.08 (3' 7")	1.80 (5' 11")	3.60 (11' 10")	5.40 (17' 9")

### Minimum Zoom – Y axis

## FULL Color (Constant mode) (6.5° 10% - 4° 50%)

**Total Output: 5192 lumens**

lux (fc)    0            32175 (2989)            11583 (1076)            2896 (269)            1287 (120)

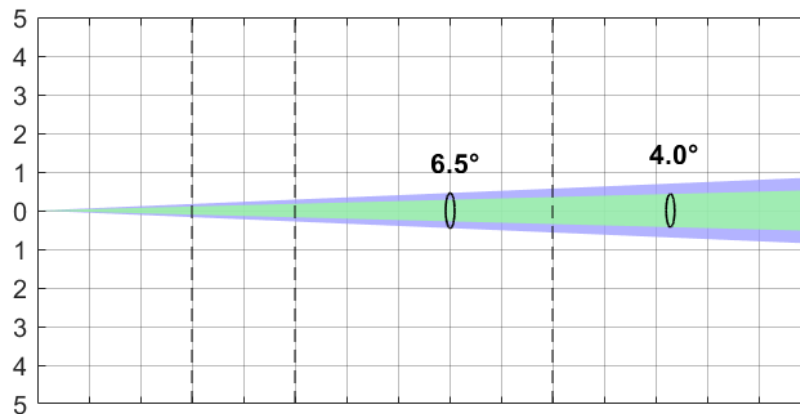


Distance	m (ft in)	0	3 (9' 10")	5 (16' 5")	10 (32' 10")	15 (49' 3")
Diameter 10%	m (ft in)	0	1.65 (5' 5")	2.75 (9' 0")	5.50 (18' 1")	8.25 (27' 1")
Diameter 50%	m (ft in)	0	1.07 (3' 6")	1.78 (5' 10")	3.56 (11' 8")	5.34 (17' 6")

## RED (Constant mode) (6.5° 10% - 4° 50%)

**Total Output: 1217 lumens**

lux (fc)    0            6300 (585)            2268 (211)            567 (53)            252 (23)

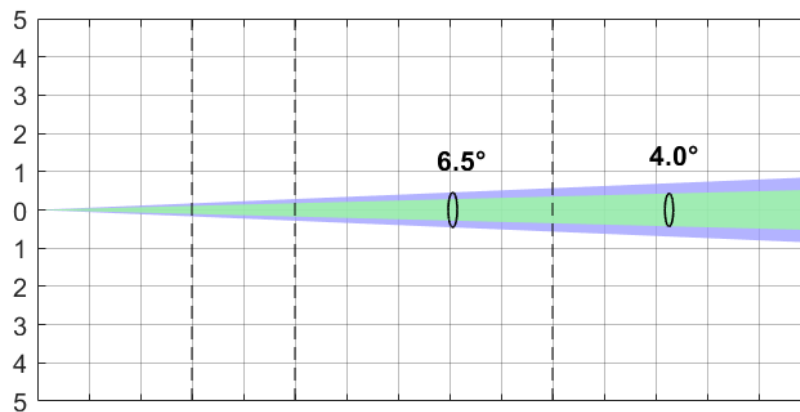


Distance	m (ft in)	0	3 (9' 10")	5 (16' 5")	10 (32' 10")	15 (49' 3")
Diameter 10% m (ft in)		0	1.67 (5' 6")	2.79 (9' 2")	5.58 (18' 4")	8.37 (27' 6")
Diameter 50% m (ft in)		0	1.12 (3' 8")	1.86 (6' 1")	3.72 (12' 2")	5.58 (18' 4")

## GREEN (Constant mode) (6.5° 10% - 4° 50%)

**Total Output: 1865 lumens**

lux (fc)    0            12142 (1128)            4371 (406)            1093 (102)            486 (45)

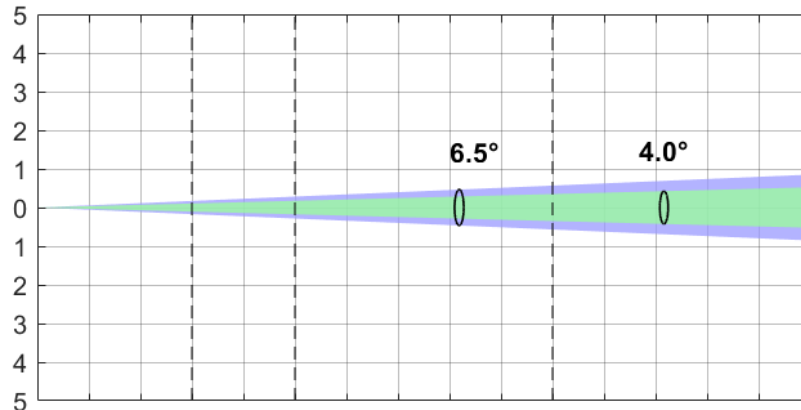


Distance	m (ft in)	0	3 (9' 10")	5 (16' 5")	10 (32' 10")	15 (49' 3")
Diameter 10% m (ft in)		0	1.65 (5' 5")	2.75 (9' 0")	5.50 (18' 1")	8.25 (27' 1")
Diameter 50% m (ft in)		0	1.06 (3' 6")	1.77 (5' 10")	3.54 (11' 7")	5.31 (17' 5")

## BLUE (Constant mode) (6.5° 10% - 4° 50%)

**Total Output: 433 lumens**

lux (fc)    0                    3097 (288)                    1115 (104)                    279 (26)                    124 (12)

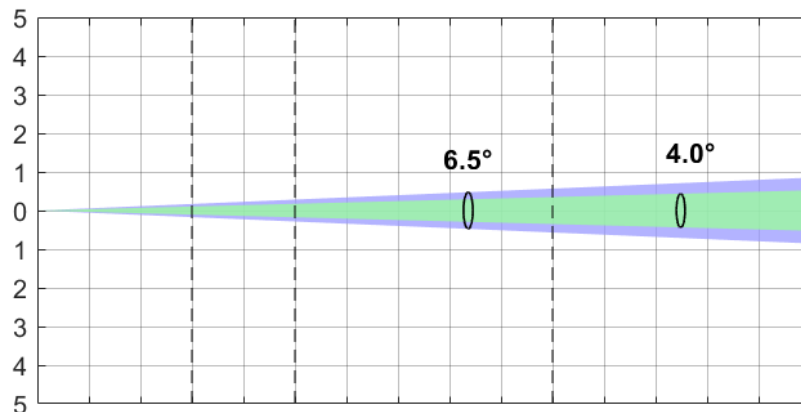


Distance	m (ft in)	0	3 (9' 10")	5 (16' 5")	10 (32' 10")	15 (49' 3")
Diameter 10%	m (ft in)	0	1.73 (5' 8")	2.89 (9' 6")	5.78 (18' 12")	8.67 (28' 5")
Diameter 50%	m (ft in)	0	1.18 (3' 11")	1.97 (6' 6")	3.94 (12' 11")	5.91 (19' 5")

## WHITE (Constant mode) (6.5° 10% - 4° 50%)

**Total Output: 2990 lumens**

lux (fc)    0                    18389 (1708)                    6620 (615)                    1655 (154)                    736 (68)



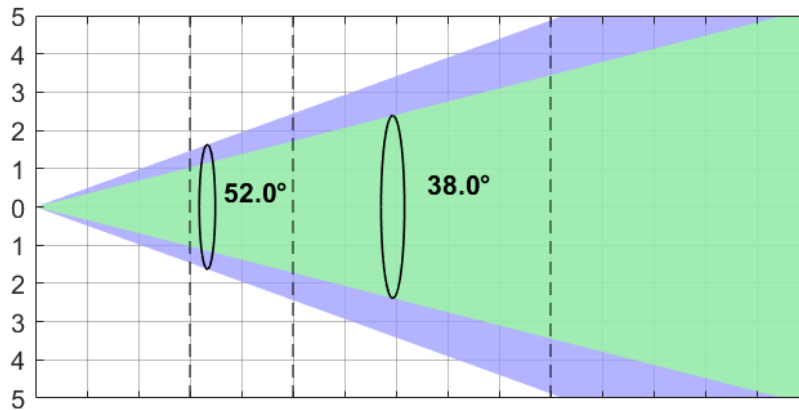
Distance	m (ft in)	0	3 (9' 10")	5 (16' 5")	10 (32' 10")	15 (49' 3")
Diameter 10%	m (ft in)	0	1.65 (5' 5")	2.75 (9' 0")	5.50 (18' 1")	8.25 (27' 1")
Diameter 50%	m (ft in)	0	1.08 (3' 7")	1.80 (5' 11")	3.60 (11' 10")	5.40 (17' 9")

## Maximimu Zoom – X axis

### FULL Color (Constant mode) (52° 10% - 38° 50%)

**Total Output: 7518 lumens**

lux (fc)    0                    2060 (191)                    742 (69)                    185 (17)                    82 (8)

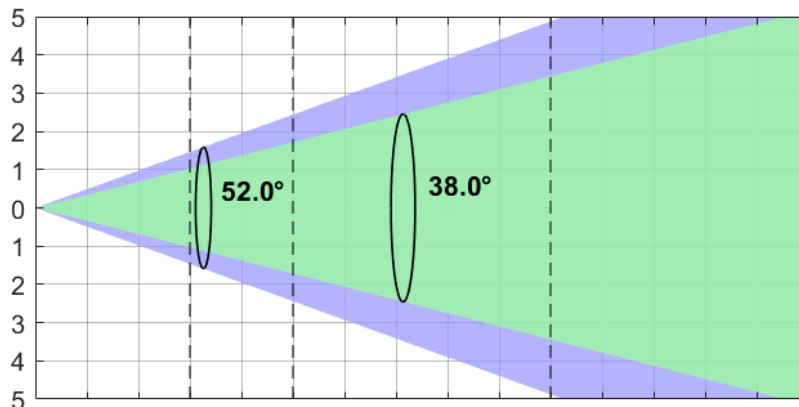


Distance	m (ft in)	0	3 (9' 10")	5 (16' 5")	10 (32' 10")	15 (49' 3")
Diameter 10%	m (ft in)	0	2.75 (9' 0")	4.58 (15' 0")	9.17 (30' 1")	13.75 (45' 1")
Diameter 50%	m (ft in)	0	1.78 (5' 10")	2.97 (9' 9")	5.93 (19' 6")	8.90 (29' 2")

### RED (Constant mode) (52° 10% - 38° 50%)

**Total Output: 1642 lumens**

lux (fc)    0                    431 (40)                    155 (14)                    39 (4)                    17 (2)

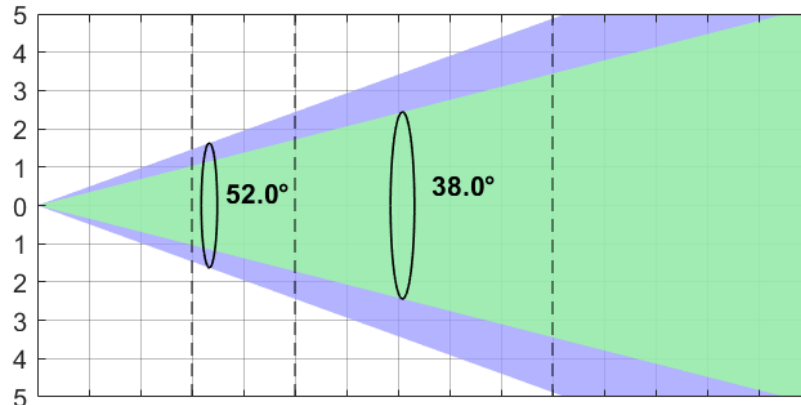


Distance	m (ft in)	0	3 (9' 10")	5 (16' 5")	10 (32' 10")	15 (49' 3")
Diameter 10%	m (ft in)	0	2.79 (9' 2")	4.65 (15' 3")	9.30 (30' 6")	13.95 (45' 9")
Diameter 50%	m (ft in)	0	1.86 (6' 1")	3.10 (10' 2")	6.20 (20' 4")	9.30 (30' 6")

### GREEN (Constant mode) (52° 10% - 38° 50%)

**Total Output: 2688 lumens**

lux (fc)    0                    745 (69)                    268 (25)                    67 (6)                    30 (3)

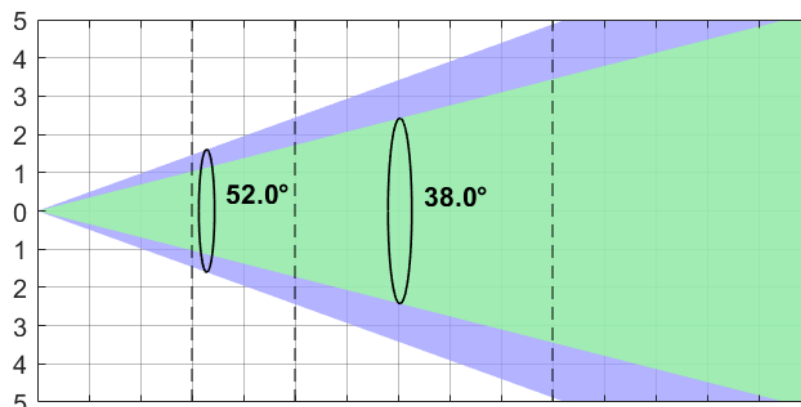


Distance	m (ft in)	0	3 (9' 10")	5 (16' 5")	10 (32' 10")	15 (49' 3")
Diameter 10% m (ft in)		0	2.75 (9' 0")	4.58 (15' 0")	9.17 (30' 1")	13.75 (45' 1")
Diameter 50% m (ft in)		0	1.77 (5' 10")	2.95 (9' 8")	5.90 (19' 4")	8.85 (29' 0")

### BLUE (Constant mode) (52° 10% - 38° 50%)

**Total Output: 572 lumens**

lux (fc)    0                    162 (15)                    58 (5)                    15 (1)                    6 (1)

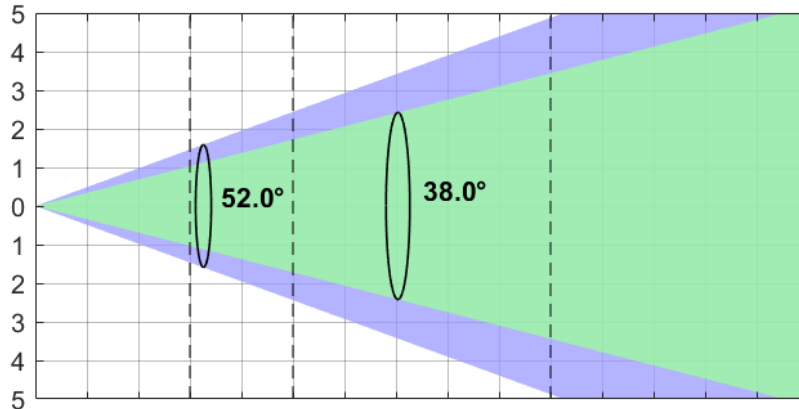


Distance	m (ft in)	0	3 (9' 10")	5 (16' 5")	10 (32' 10")	15 (49' 3")
Diameter 10% m (ft in)		0	2.89 (9' 6")	4.82 (15' 10")	9.63 (31' 7")	14.45 (47' 5")
Diameter 50% m (ft in)		0	1.97 (6' 6")	3.28 (10' 9")	6.57 (21' 7")	9.85 (32' 4")

## WHITE (Constant mode) (52° 10% - 38° 50%)

**Total Output: 4393 lumens**

lux (fc)    0            1186 (110)            427 (40)            107 (10)            47 (4)



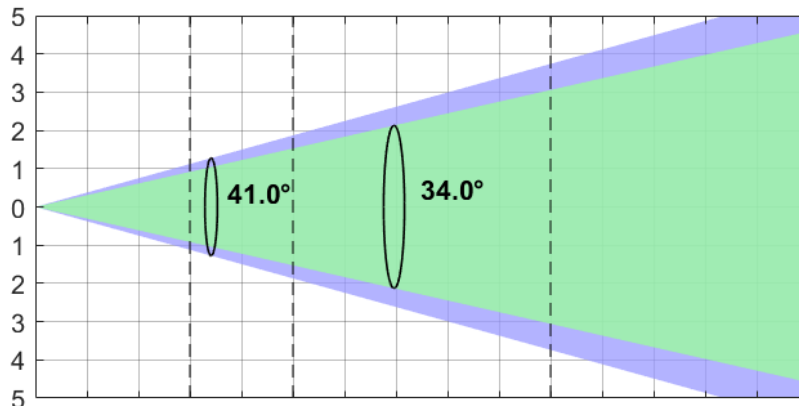
Distance	m (ft in)	0	3 (9' 10")	5 (16' 5")	10 (32' 10")	15 (49' 3")
Diameter 10%	m (ft in)	0	2.75 (9' 0")	4.58 (15' 0")	9.17 (30' 1")	13.75 (45' 1")
Diameter 50%	m (ft in)	0	1.80 (5' 11")	3.00 (9' 10")	6.00 (19' 8")	9.00 (29' 6")

### Maximimu Zoom – Y axis

## FULL Color (Constant mode) (41° 10% - 34° 50%)

**Total Output: 7518 lumens**

lux (fc)    0            1968 (183)            708 (66)            177 (16)            79 (7)



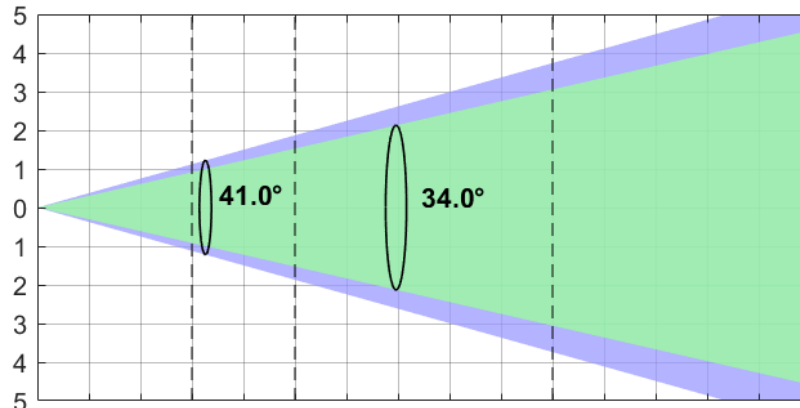
Distance	m (ft in)	0	3 (9' 10")	5 (16' 5")	10 (32' 10")	15 (49' 3")
Diameter 10%	m (ft in)	0	2.75 (9' 0")	4.58 (15' 0")	9.17 (30' 1")	13.75 (45' 1")
Diameter 50%	m (ft in)	0	1.78 (5' 10")	2.97 (9' 9")	5.93 (19' 6")	8.90 (29' 2")



### RED (Constant mode) (41° 10% - 34° 50%)

**Total Output: 1642 lumens**

lux (fc)    0                    453 (42)                    163 (15)                    41 (4)                    18 (2)

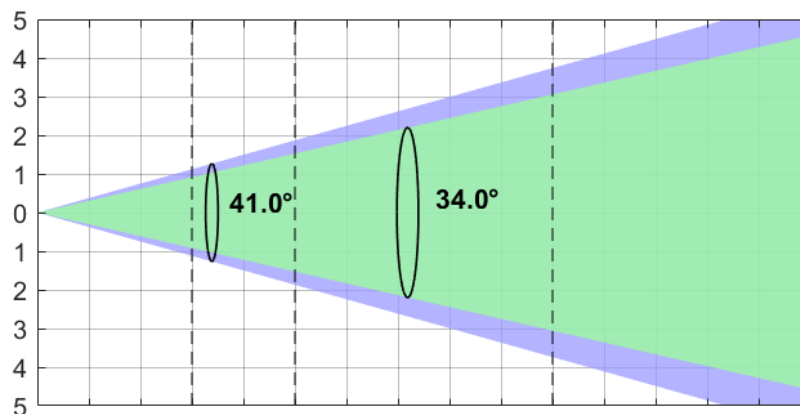


Distance	m (ft in)	0	3 (9' 10")	5 (16' 5")	10 (32' 10")	15 (49' 3")
Diameter 10%	m (ft in)	0	2.79 (9' 2")	4.65 (15' 3")	9.30 (30' 6")	13.95 (45' 9")
Diameter 50%	m (ft in)	0	1.86 (6' 1")	3.10 (10' 2")	6.20 (20' 4")	9.30 (30' 6")

### GREEN (Constant mode) (41° 10% - 34° 50%)

**Total Output: 2688 lumens**

lux (fc)    0                    712 (66)                    256 (24)                    64 (6)                    28 (3)

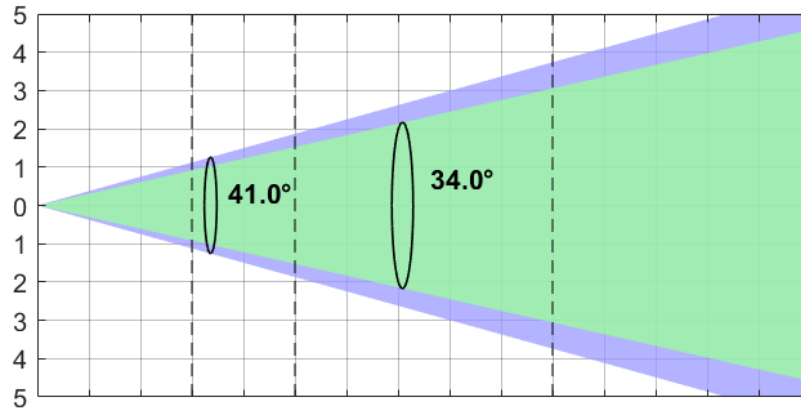


Distance	m (ft in)	0	3 (9' 10")	5 (16' 5")	10 (32' 10")	15 (49' 3")
Diameter 10%	m (ft in)	0	2.75 (9' 0")	4.58 (15' 0")	9.17 (30' 1")	13.75 (45' 1")
Diameter 50%	m (ft in)	0	1.77 (5' 10")	2.95 (9' 8")	5.90 (19' 4")	8.85 (29' 0")

## BLUE (Constant mode) (41° 10% - 34° 50%)

**Total Output: 572 lumens**

lux (fc)    0                    164 (15)                    59 (5)                    15 (1)                    7 (1)

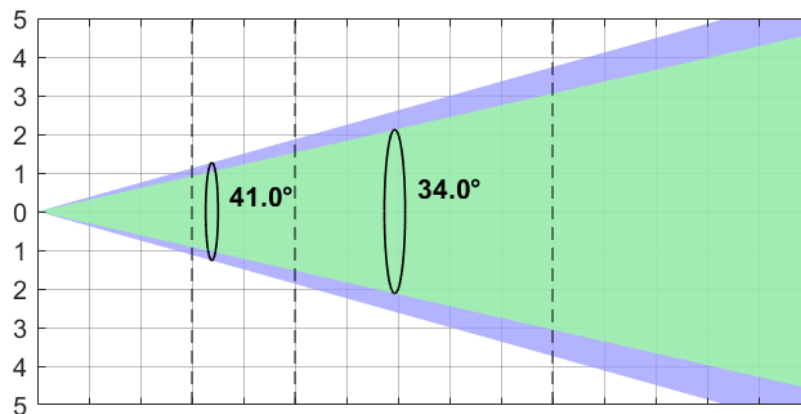


Distance	m (ft in)	0	3 (9' 10")	5 (16' 5")	10 (32' 10")	15 (49' 3")
Diameter 10% m	(ft in)	0	2.89 (9' 6")	4.82 (15' 10")	9.63 (31' 7")	14.45 (47' 5")
Diameter 50% m	(ft in)	0	1.97 (6' 6")	3.28 (10' 9")	6.57 (21' 7")	9.85 (32' 4")

## WHITE (Constant mode) (41° 10% - 34° 50%)

**Total Output: 4393 lumens**

lux (fc)    0                    1121 (104)                    404 (37)                    101 (9)                    45 (4)



Distance	m (ft in)	0	3 (9' 10")	5 (16' 5")	10 (32' 10")	15 (49' 3")
Diameter 10% m	(ft in)	0	2.75 (9' 0")	4.58 (15' 0")	9.17 (30' 1")	13.75 (45' 1")
Diameter 50% m	(ft in)	0	1.80 (5' 11")	3.00 (9' 10")	6.00 (19' 8")	9.00 (29' 6")