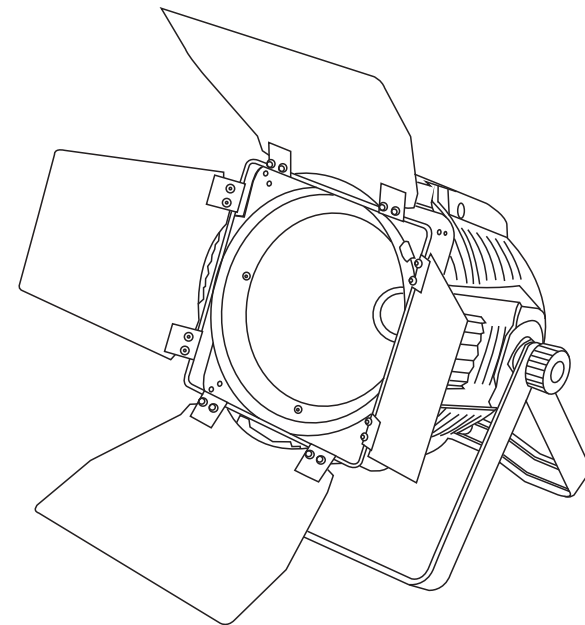


STECHNICS

PAR LED COB 200RGBW



CE F  IP65 LED  0.2m  t_a 40°C t_c 100°C

User Manual

KEEP THIS MANUAL FOR FUTURE NEEDS

1 SAFETY INSTRUCTIONS



CAUTION

Becareful with your operations. With a dangerous voltage you can suffer a dangerous electric shock when touching wires!

This device has left the factory in perfect condition. In order to maintain this condition and to ensure a safe operation, it is absolutely necessary for the user to follow the safety instructions and warning notes written in this user manual.



IMPORTANT

Damages caused by the disregard of this user manual are not subject to warranty. The dealer will not accept liability for any resulting defects or problems.

If the device has been exposed to temperature changes due to environmental changes, do not switch it on immediately. The arising condensation could damage the device. Leave the device switched off until it has reached room temperature.

This device falls under protection-class I. Therefore it is essential that the device be earthed.

The electric connection must carry out by qualified person.

The device shall only be used with rate voltage and frequency.

Make sure that the available voltage is not higher than stated at the end of this manual.

Make sure the power cord is never crimped or damaged by sharp edges. If this would be the case, replacement of the cable must be done by an authorized dealer.

Always disconnect from the mains, when the device is not in use or before cleaning it. Only handle the power cord by the plug. Never pull out the plug by tugging the power cord.

During initial start-up some smoke or smell may arise. This is a normal process and does not necessarily mean that the device is defective, it should decrease gradually.

Please don't project the beam onto combustible substances.

Fixtures cannot be installed on combustible substances, keep more than 50cm distance with wall for smooth air flow, so there should be no shelter for fans and ventilation for heat radiation.

If the external flexible cable or cord of this luminaire is damaged, it shall be exclusively replaced by the manufacturer or his service agent or a similar qualified person in order to avoid a hazard.

10 MAINTENANCE AND CLEANING

The following points have to be considered during the inspection:

- 1) All screws for installing the devices or parts of the device have to be tightly connected and must not be corroded.
- 2) There must not be any deformations on the housing, color lenses, fixations and installation spots (ceiling, suspension, trussing).
- 3) Mechanically moved parts must not show any traces of wearing and must not rotate with unbalances.
- 4) The electric power supply cables must not show any damage, material fatigue or sediments.

Further instructions depending on the installation spot and usage have to be adhered by a skilled installer and any safety problems have to be removed.



CAUTION

Disconnect from mains before starting maintenance operation.



In order to make the lights in good condition and extend the life time, we suggest a regular cleaning to the lights.

- 1) Clean the inside and outside lens each week to avoid the weakness of the lights due to accumulation of dust.
- 2) Clean the fan each week.
- 3) A detailed electric check by approved electrical engineer each three month, make sure that the circuit contacts are in good condition, prevent the poor contact of circuit from overheating.

We recommend a frequent cleaning of the device. Please use a moist, lint- free cloth. Never use alcohol or solvents.

There are no serviceable parts inside the device. Please refer to the instructions under "Installation instructions".

Should you need any spare parts, please order genuine parts from your local dealer.

8CH MODE

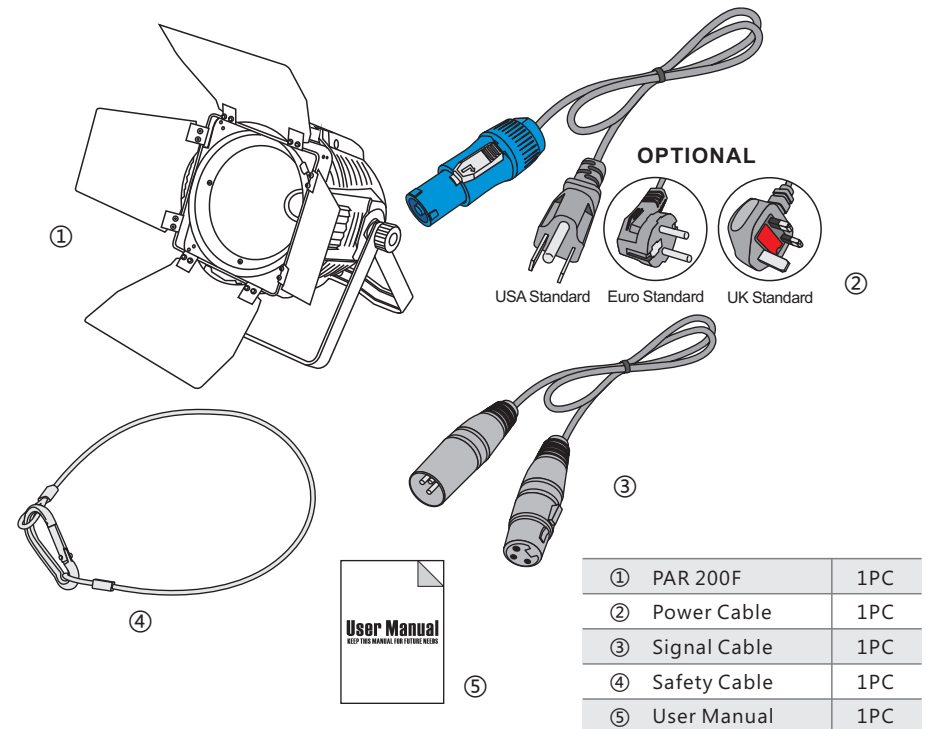
Channel	Function	Value	Description
1	Dimmer	0-255	0-100% Linear Dimmer
2	Whee color	0-255	Color 1(red)
3		0-255	Color 2 (green)
4		0-255	Color 3(blue)
5		0-255	Color 4(white)
6	Temperature	0-30	No effect
		31-200	Mulit color change
		201-205	Color temperature 1(3200K)
		206-210	Color temperature 2
		211-215	Color temperature 3
		216-220	Color temperature 4
		221-225	Color temperature 5
		226-230	Color temperature 6
		231-235	Color temperature 7
		236-240	Color temperature 8
		241-245	Color temperature 9
246-250	Color temperature 10		
251-255	Color temperature 11(10000K)		
7	Strobe	0-10	No strobe
		11-255	Speed of strobe(255 is the fastest)
8	program/ control	0-20	Speed of dimmer 4(The slowest and softest)
		21-40	Speed of dimmer 3
		41-60	Speed of dimmer 2
		61-80	Speed of dimmer 1
		81-99	Speed of dimmer off (fastest and no any delay)
		100-109	Inner program 1
		110-119	Inner program 2
		120-129	Inner program 3
		130-139	Inner program 4
		140-149	Inner program 5
		150-159	Inner program 6
		160-169	Inner program 7
		170-179	Inner program 8
		180-189	Inner program 9
		190-199	Inner program 10
		200-240	Change color by sound control
		241-255	Strobe by sound control

2 UNPACKING

Thank you for choosing our PAR LED COB 200RGBW. For your own safety, please read this manual before installing the device. This manual covers the important information on installation and applications. Please install and operate the fixture with following instructions. Meanwhile, please keep this manual well for future needs.

The PAR LED COB 200RGBW is made of a new type of high temperature strength of cast aluminum casing with nice outlook. The fixture is designed and manufactured strictly following CE standards, complying with international standard DMX512 protocol. It's available independently controlled and linkable with each other for operation. And it is applicable for large-scale live performances, theater, studio, nightclubs and discos.

The PAR LED COB 200RGBW adopts 1*200W RGBW LEDs which features high brightness and stability. Please carefully unpack it when you receive the fixture and check whether it is damaged during the transportation. And please check whether the following items are included inside the box:



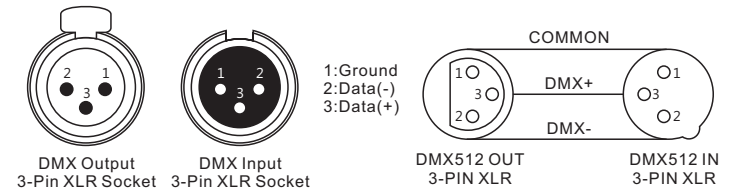
3 FEATURES & SPECIFICATIONS

Features

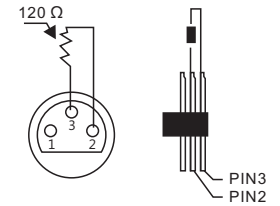
- 1*200F COB LEDs(RGBW)
- 50000 hours life span and low power consumption
- Color Rendering Index(CRI):Ra≥90
- Specific high efficiency optic system with 60° beam angle
- Flat and even spot image with soft edge
- Very high light output
- Housing made by rugged,die cast aluminum alloy
- Thermally insulated knobs and double aluminum handle for installing
- Barn door included
- Color frame included
- 0-100% Smooth and precise linear dimmer
- Flicker free control even at high speed strobe
- Different built-in programs and macro effects
- 25T/sec high speed LED shutter/strobe effect with variable speed
- Preset variable/random strobe and dimming pulse effect
- 4/8DMX channels USITT DMX-512
- DMX512, master-slave,and sound activated controllable or auto operation
- 4-Button red background LED display
- POWERCON connectors IN
- 3-Pin XLR connectors IN/OUT
- -35°C~45°C max ambient temperature
- IP20 protection rating

Specifications

- Input Voltage:** AC90-260V 50/60Hz
- LED Quantities:** 1*200W COB LEDs(RGBW)
- Control Signal:** DMX512, master-slave and sound activated or auto operation
- Control Channel:** 4/8(4-IN-1)MX channels USITT DMX-512
- Power Consumption:** 260W
- Dimensions:** 240(D)*305(W)*300(H)mm
- Packing Dimensions:** 290(D)*350(W)*370(H)mm
- Net Weight:** 4.6kg
- Gross Weight:** 6kg



For installations where the DMX cable has to run a long distance or is in an electrically noisy environment, such as in a discotheque, it is recommended to use a DMX terminator. This helps in preventing corruption of the digital control signal by electrical noise. The DMX terminator is simply an XLR plug with a 120 Ω resistor connected between pins 2 and 3, which is then plugged into the output XLR socket of the last fixture in the chain. Please see illustrations below.



8 MENU OPERATIONS

MENU	1	A001	001-512	DMX address setting
	2	D001	001-512	Jump mode
	3	ZB00	01-99	Fade mode
	4	HL00	01-99	Pulse mode
	5	JLBE		Sound control
	6	R220	000-255	Red Dimmer
	7	G220	000-255	Green Dimmer
	8	B220	000-255	Blue Dimmer
	9	W220	000-255	White Dimmer
	10	N000	000-255	Motor position

9 DMX CHANNELS

4CH MODE

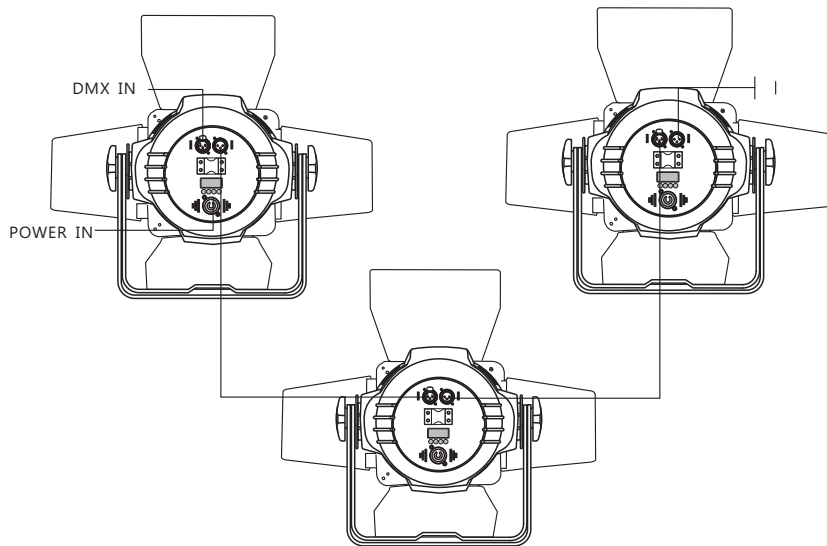
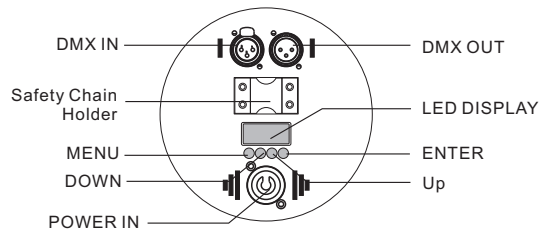
Channel	Function	Value	Description
1	Wheel color	0-255	Color 1(red)
2		0-255	Color 2 (green)
3		0-255	Color 3(blue)
4		0-255	Color 4(white)

Regardless of the rigging option you choose for your PAR LED COB 200RGBW, always be sure to secure your fixture with a safety cable. The fixture provides a built-in rigging point for a safety cable on the hanging bracket as illustrated above. Be sure to only use the designated rigging point for the safety cable and never secure a safety cable to a carrying handle.

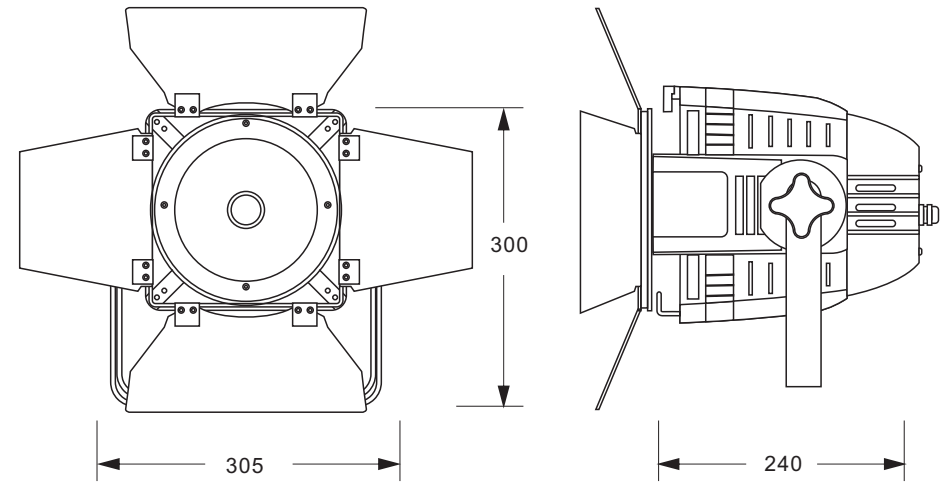
7 DMX-512 CONTROL CONNECTIONS

Connect the provided XLR cable to the female 3-pin XLR output of your controller and the other side to the male 3-pin XLR input of the moving head. You can chain multiple Moving head together through serial linking. The cable needed should be two core, screened cable with XLR input and output connectors. Please refer to the diagram below.

DMX-512 connection with DMX terminator



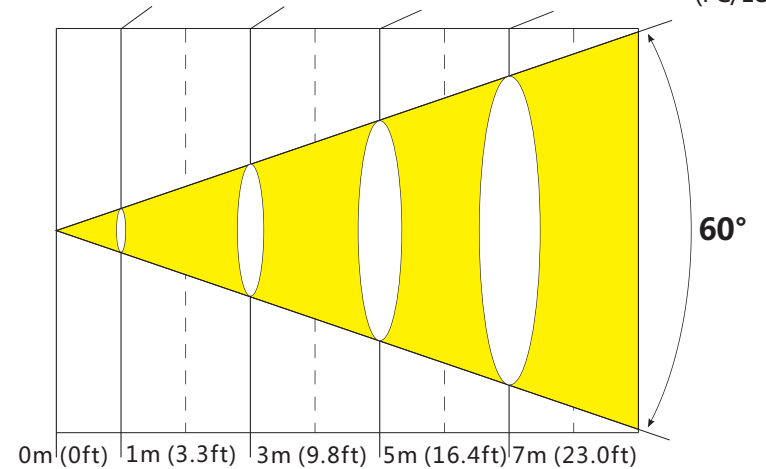
.07.



4 PHOTOMETRIC DATA

Photometric Beam Angle Data $8^\circ \sim 60^\circ$ Beam Angle $LUX \times 0.0929 = FC$

Warm White	1486/16000	139/1500	63/680	32/350	(FC/LUX)
------------	------------	----------	--------	--------	----------



.04.

5 OPERATION INSTRUCTIONS

- The PAR COB LED 200RGBW is an LED wash light for on-site decoration purpose.
- Don't turn on the fixture if it's been through severe temperature difference like after transportation because it might damage the light due to the environment changes. So make sure to operate the fixture until it is in normal temperature.
- This light should be keep away from strong shaking during any transportation or movement.
- Don't pull up the light by only the head, or it might cause damages to the mechanical parts.
- Don't expose the fixture in overheat, moisture or environment with too much dust when installing it. And don't lay any power cables on the floor. Or it might cause electronic shock to the people.
- Make sure the installation place is in good safety condition before installing the fixture.
- Make sure to put the safety chain and check whether the screws are screwed properly when installing the fixture.
- Make sure the lens are in good condition. It's recommended to replace the units if there are any damages or severe scratch.
- Make sure the fixture is operated by qualified personnel who knows the fixture before using.
- Keep the original packages if any second shipment is needed.
- Don't try to change the fixtures without any instruction by the manufacturer or the appointed repairing agencies.
- It is not in warranty range if there are any malfunctions from not following the user manual to operate or any illegal operation, like shock short circuit, electronic shock, lamp broke, etc.

6 INSTALLATIONS

Cautions: For added protection mount the fixtures in areas outside walking paths, seating areas, or in areas were the fixture might be reached by unauthorized personnel.

Before mounting the fixture to any surface, make sure that the installation area can hold a minimum point load of 10 times the device's weight.

Fixture installation must always be secured with a secondary safety attachment, such as an appropriate safety cable.

Never stand directly below the device when mounting, removing, or servicing the fixture.

from a ceiling, or set on a flat level surface (see illustration below). Be sure this fixture

is kept at least 0.5m (1.5 ft) away from any flammable materials (decoration etc.). Always use and install the supplied safety cable as a safety measure to prevent accidental damage and/or injury in the event the clamp fails.

Mounting points: Overhead mounting requires extensive experience, including amongst others calculating working load limits, a fine knowledge of the installation material being used, and periodic safety inspection of all installation material and the fixture. If you lack these qualifications, do not attempt the installation yourself. Improper installation can result in bodily injury.

Be sure to complete all rigging and installation procedures before connecting the main power cord to the appropriate wall outlet.

Clamp Mounting: The PAR COB LED 200RGBW provides a unique mounting bracket assembly, and the safety cable rigging point in one unit (see the illustration below). When mounting this fixture to truss be sure to secure an appropriately rated clamp to the handle using a M10 screw fitted through the center hole of the handle. As an added safety measure be sure to attached at least one properly rated safety cable to the fixture using on of the safety cable rigging point.

