

ULTRA-X40/42 Rigging Accessories



Meyer Sound's new ULTRA-X40/42 loudspeaker provides high power output, low distortion, and consistent polar response in a compact, vented enclosure. For more information, visit www.meyersound.com

The ULTRA-X40/42 loudspeaker cabinet includes 11 integral M8 rigging points. It also includes an integral 35 mm stand mount receptacle with M20 threads for added stability. With this versatile integrated rigging, the ULTRA-X40/42 is ready for a wide variety of applications including those requiring pole mounting, hanging individually in horizontal or vertical orientations, or clustering.

OPTIONAL RIGGING ACCESSORIES

MTC-X40 Top Channel Kit: The MTC-X40 Top Channel kit includes a pinnable link in a channel that mounts directly to the top of the ULTRA-X40/42 rig nuts or into an MCP50-X40 or MCP70-X40 plate and supports pick-up of up to three ULTRA-X40/42 loudspeakers from a single point using the two included lock pins and 3/8-inch shackle. Using the MTC-X40 Top Channel at the bottom of the ULTRA-X40/42 to pick up multiple loudspeakers requires the use of a Thread Reducer M20 to M8 (35MM), which is not included.

MYA-X40 Yoke Kit: The MYA-X40 Yoke suspends a single ULTRA-X40/42 loudspeaker and supports a wide range of horizontal and vertical adjustments. The yoke attaches to the top of the loudspeaker using three rig nuts. The kit includes three M8 bolts and three M8 knobs. The yoke may also be mounted on a 35 mm pole using the optional MSA-STAND Adapter Cup 35MM accessory to facilitate easy panning and tilting.

MSA-STAND Adapter Cup 35MM: This compact cup-type adapter can be used to mount the MYA-X40 Mounting Yoke on a pole to allow for easy panning and tilting of the ULTRA-X40/42

MPK-POLE-35MM-M20 Adjustable Pole Kit: Adjustable length 927–1524 mm (36.5–60 in), 35 mm (1.375 in) pole with assisted lift. Lower shaft fits 35 mm cups or use the removable M20 threaded lug for added stability. Upper shaft includes **PAS-M20 Adapter Sleeve** to fit loudspeakers with 35 mm and M20 internal pole mounts onto a 35 mm speaker stand. (Can also buy the PAS-M20 Adapter Sleeve separately). Additional 35 mm to 38 mm (1.5 in) adapter included. 750-LFC/900-LFC Subwoofer Internal Pole Mount Cup (35 mm/M20) also included.

MUB-X40 U-Bracket Kit: The MUB-X40 U-Bracket allows a single ULTRA-X40/42 loudspeaker to be mounted to a wall (in either vertical or horizontal orientations), to the ceiling or onto the floor. The kit includes two M8 bolts, two M8 knobs, and a 35 mm diameter, Thread Reducer M20 to M8 (35 MM) to convert the cabinet's built-in pole mount internal threads to M8 size. The MUB-X40 U-Bracket can also mount an ULTRA-X40/42 to a pole in the horizontal orientation using the 35MM Pole Stand Adapter.

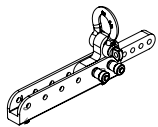
MCP50-X40 Cluster Plate Kit: The MCP50-X40 50 Degree Cluster Plate kit includes two cluster plates to facilitate installation of ULTRA-X40/42 loudspeakers in both horizontal and vertical clusters at angles between 10 and 50 degrees in 5 degree increments. The kit includes eight M8 bolts and eight M8 knobs. The MTC-X40 Top Channel accessory (sold separately) can be attached to the MCP50-X40 as a top pick up point.

MCP70-X40 Cluster Plate Kit: The MCP70-X40 70 Degree Cluster Plate kit includes two cluster plates to facilitate installation of ULTRA-X40/42 loudspeakers in both horizontal and vertical clusters at angles between 40 and 70 degrees in 5 degree increments. The kit includes eight M8 bolts and eight M8 knobs. The MTC-X40 Top Channel accessory (sold separately) can be attached to the MCP70-X40 as a top pick up point.

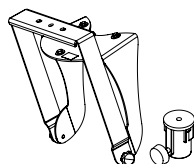
MTB-X40 Top Bracket Kit: The MTB-X40 Top Bracket kit includes a heavy-duty, U-bracket style accessory that facilitates mounting of ULTRA-X40/42 loudspeakers from the ceiling or a truss using the cluster plates. The design supports 5–25 degrees of downtilt and 5 degrees of uptilt. In addition, the MTB-X40 Top Bracket enables mounting of a single ULTRA-X40/42 onto the floor for front-fills. The kit includes four M8 bolts and four M8 knobs.

35MM Pole Stand Adapter: This large base stand adapter can be used to mount the MTB-X40 Top Bracket or the MUB-X40 U-bracket onto a pole.

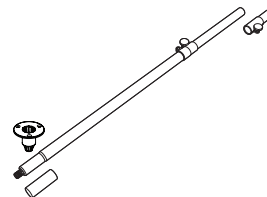
Thread Reducer M20 to M8 35MM: The Thread Reducer kit includes a 35 mm diameter, M20 to M8 thread size adapter to convert the cabinet's built-in pole mount internal threads to M8 size. It is necessary for installing the MUB-X40 U-Bracket (one included in MUB-X40 U-Bracket kit) and when installing the MTC-X40 Top Channel or eye bolts at the bottom of a cabinet (not included in the eye bolts or MTC-X40 Top Channel kits).



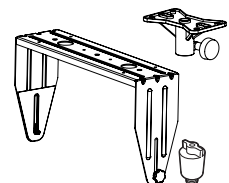
MTC-X40 Top Channel
(PN 40.287.130.01)



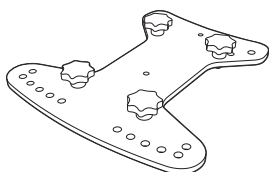
MYA-X40 Yoke (PN 40.287.039.01)
and Optional MSA-STAND
Adapter Cup 35MM
(PN 40.086.013.01)



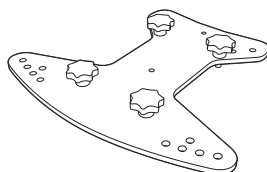
MPK-POLE 35MM M20 Pole
Kit (includes PAS-M20 Adapter
Sleeve) (PN 40.010.973.01)
PAS-M20 Adapter Sleeve also
sold separately (PN 40.010.974.01)



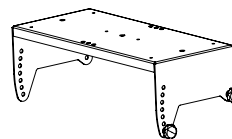
MUB-X40 U-Bracket and included
Thread Reducer M20 to M8 35MM
(PN 40.287.055.01)
Shown with Optional 35MM Pole
Stand Adapter (PN 40.010.971.01)



MCP50-X40 Cluster Plate
(PN 40.287.100.01)



MCP70-X40 Cluster Plate
(PN 40.287.400.01)

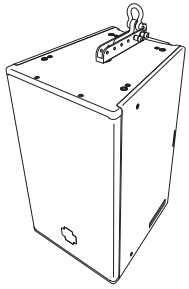


MTB-X40 Top Bracket
(PN 40.287.150.01)

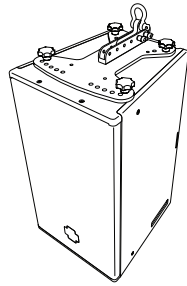


Thread Reducer M20 to M8
35MM (PN 40.010.540.01)

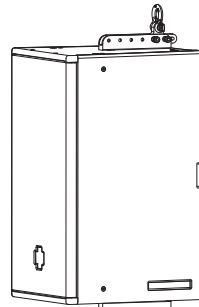
EXAMPLE RIGGING ACCESSORY IMPLEMENTATIONS



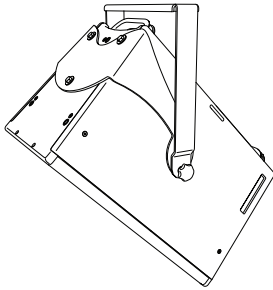
MTC-X40 Top Channel



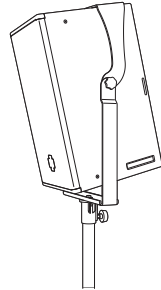
MTC-X40 Top Channel and MPC50-X40 Cluster Plate



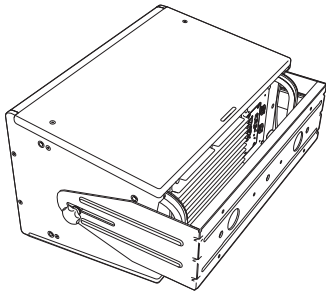
Two MTC-X40 Top Channels linking speakers at adjustable angle with a third MTC-X40 Top Channel on top. This configuration requires use of a Thread Reducer M20 to M8 35MM (sold separately) for bottom of upper cabinet.



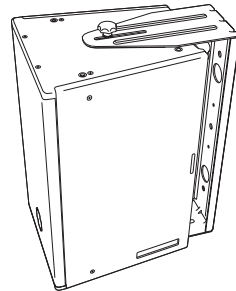
MYA-X40 Yoke Mount



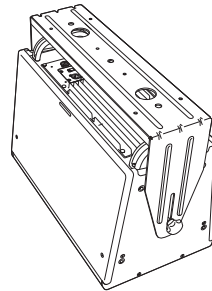
MYA-X40 Yoke Mount on Pole using optional MSA-STAND Adapter Cup 35MM



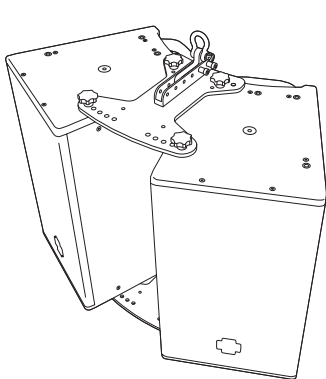
MUB-X40 Wall Mount, Horizontal



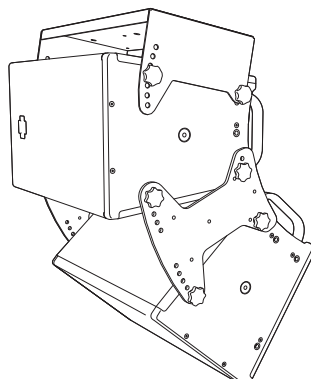
MUB-X40 Wall Mount, Vertical



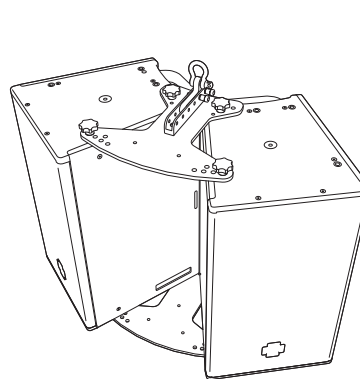
MUB-X40 Ceiling Mount



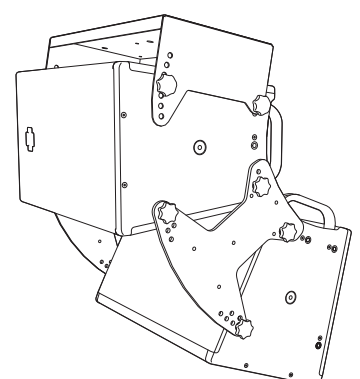
MCP50-X40 Cluster Plate creating a 50° horizontal cluster with MTC-X40 Top Channel on top



MCP50-X40 Cluster Plate creating a 50° vertical cluster with MTB-X40 Top Bracket on top



MCP70-X40 Cluster Plate creating a 70° horizontal cluster with MTC-X40 Top Channel on top



MCP70-X40 Cluster Plate creating a 70° vertical cluster with MTB-X40 Top Bracket on top