



ENGLISH

NEW PRODUCTS

2012

PREVIEW

**A.LEDA SERIES
GLOW-UP
ALPHA SPOT QWO 800
IGLOO**



© 2012 Clay Paky S.p.A. | Specifications are subject to change without prior notice

CLAY PAKY S.p.A.
I - 24068 Seriate (BG) - Via Pastrengo, 3/b
Phone +39 035 654311 - Fax +39 035 301876 - cp.info@claypaky.it

A.LEDA

The new top range of LED moving heads

"A.LEDA" is the first Clay Paky line of professional fixtures to use LEDs as light sources. A.LEDA includes washlight models which differ in power and size, but are all moving heads with wide and fast pan and tilt movements.

Through the A.LEDA line, Clay Paky offers its customers a valid alternative to discharge lamp washlights, adding all the benefits of LED technology: low energy consumption, long light source life, small size, light weight and robustness.

A.LEDA washlights are fitted with multicolor RGBW LEDs that produce a full range of vivid colors as well as excellent shades of white. The smallest model (in development) will have a fixed 12° beam angle, whereas the two larger models have a motorized 14° to 70° zoom (8°-55° at 50% of max illumination).

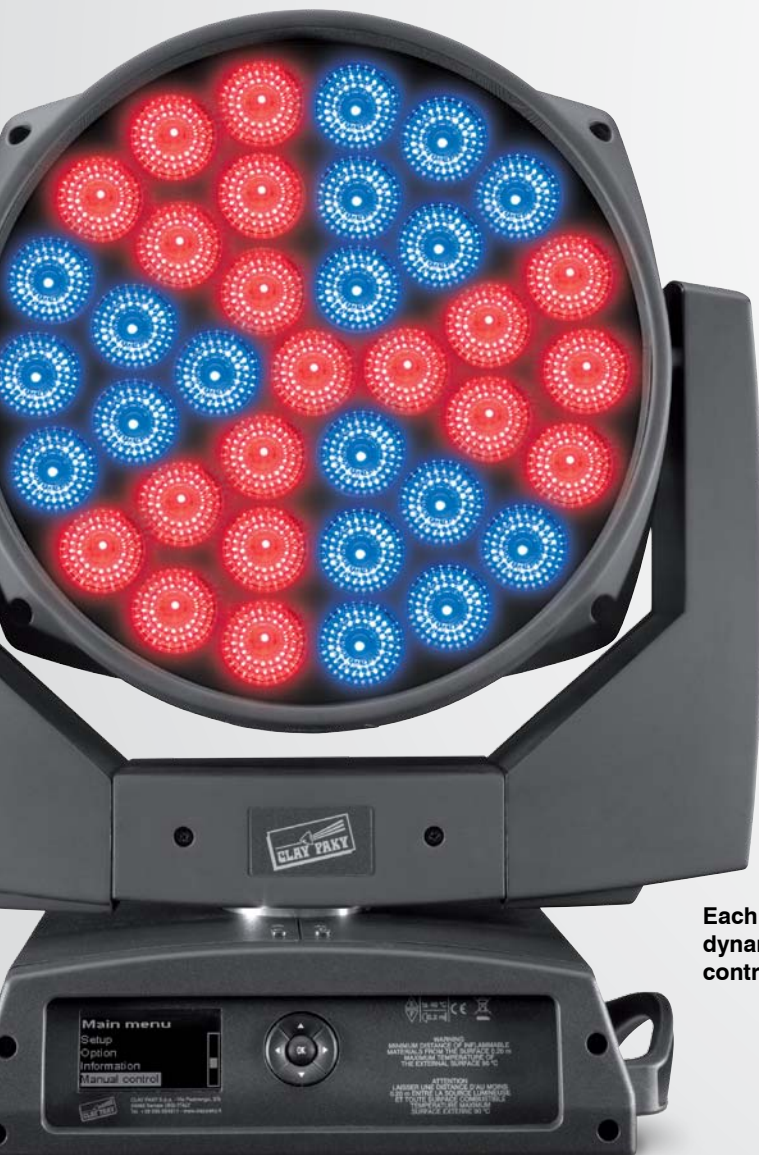
The color of each LED in each model may be controlled separately. This unique feature not only allows you to create an endless range of color variations, but also to use each LED of the array as a pixel in order to draw all kinds of graphic images that change dynamically both in shape and color.

To ease operation, each light has a library of pre-programmed graphic effects, which operators may customise by changing each parameter: intensity of each color, speed of change, etc.

The A.LEDA light range features advanced electronics designed to optimize heat dissipation and minimize the size of the unit. The electronics have an innovative modular hardware architecture, making maintenance simpler and less costly.

TECHNICAL FEATURES

- Light source: 15 W RGBW LEDs (the number of LEDs depends on the model)
- Power supplies: 100-240 V 50/60 Hz
- Dimmer: linear 0-100% on a dedicated channel
- Adjustable speed stop/strobe effect, with instantaneous blackout
- Each model is extremely compact and light-weight for its power class
- Important savings in handling, installation, storage and consumption costs
- Silent operation
- Very quick linear 540° pan and 270° tilt movements
- New design high performance electronics
- Modular construction for easy maintenance
- Long-life auto-charging buffer battery
- Preset color and graphic effect macros
- Function reset controllable from a central control unit
- Menu-driven internal self-test function
- Ethernet ready
- Display: backlit black-and-white graphic LCD display
- Electronic check-up of every single parameter with error alarm
- Cooling system monitoring with automatic cut-out on overheating
- DMX level monitoring on each channel
- Automatic internal data transmission error diagnostics
- Firmware upgrade even when the unit is not connected to the power supply
- Firmware transfer from one light to another



Each LED color can be dynamically and individually controlled

14°-70° ZOOM





A.LEDA WASH K20

code C61410

- Light source: 37 x 15 W RGBW LEDs
- Rated light output: 18,000 lumen
- LED power consumption: 555 W
- Total power consumption: 600 W
- Beam angle: 14°-70° electronic zoom
- Input: Powercon Neutrik
- DMX512: 5 and 3-pole XLR IN-OUT sockets
- Ethernet socket
- Control channels: 18 basic channels + 148 pixel-mapping channels

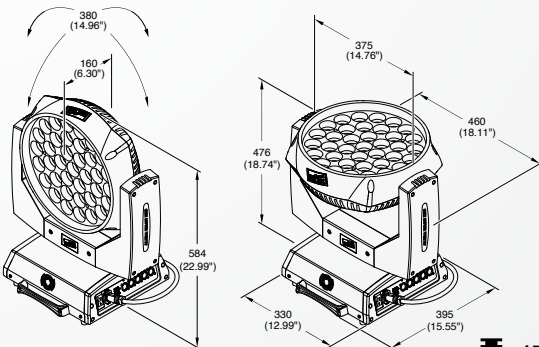


A.LEDA WASH K10

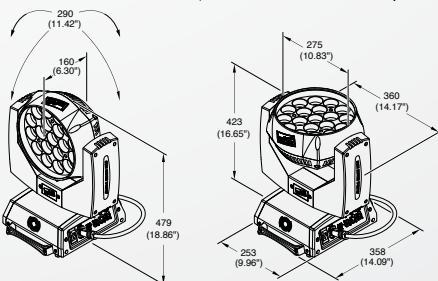
code C61405

- Light source: 19 x 15 W RGBW LEDs
- Rated light output: 9,000 lumen
- LED power consumption: 285 W
- Total power consumption: 350 W
- Beam angle: 14°-70° electronic zoom
- Input: Powercon Neutrik
- DMX512: 5-pole XLR IN-OUT sockets
- Ethernet socket
- Control channels: 18 basic channels + 76 pixel-mapping channels

WEIGHT & DIMENSIONS (mm/inches)



■ 17 kg (37.4 lbs)



■ 12 kg (26.5 lbs)

Thanks to the high quality LEDs, these washlights may also be used as excellent “white light” spotlights



Chrome-plated version available on request

GLOW-UP (IP65)

The portable, Battery-Powered upright for events and exhibitions

MAKING THINGS SIMPLER

GlowUp is a portable, battery-powered luminaire that removes the logistical headache of running cables at events - dramatically reducing set-up time, while saving money and improving safety.

Based on durable, high-power LEDs, GlowUp offers years of energy-efficient service. Power is stored in a rechargeable lithium battery, a tried and tested technology found in many portable consumer devices such as mobile phones. The battery is lightweight, making the fixture easy to carry, and can be recharged 2000 times without suffering from 'memory' or capacity loss.

GlowUp is fully programmable allowing users to select scenes from a library containing dozens of suggested colors as well as a number of pre-programmed, color-changing sequences. Installation and set-up is entirely without cables. The battery eliminates the need for mains power; and each fixture can be programmed without needing a physical connection to a controller. Each fixture has a wireless onboard data receiver, so several fixtures can be synchronized at once wirelessly. For those that prefer, GlowUp can also be cable-connected to the grid and programmed using standard DMX cables.

TECHNICAL FEATURES

- Light source: 4 x 10W LEDs (RGBW, Tunable White, cool White)
- Nominal power: 50W
- Total output: 1200 lm
- Zoom: manually adjustable beam 15°-30°
- Choice of magnetically attachable filters and diffusers
- Dimmer: smooth, linear 0-100%
- Optical aiming: manual tilt, $\pm 105^\circ$
- Power supply: battery or AC mains
- Battery type: Lithium iron phosphate
- Battery life: 10 hrs (at full power), 20 hrs (when color changing)
- Battery charge time:
 - 4 hrs (in flight case), 8 hrs (when connected to mains)
- Durability: 2000 charge cycles
- Mains power: 100-240V 50-60Hz, via PowerCon input
- Control options: autonomous, Master/Slave or DMX (either wireless or via data cable)
- Wireless control: onboard DMX receiver/repeater concealed in fixture
- Wireless repeater: increases the range of the data signal
- DMX connection: 5-pin XLR IN/OUT
- Menu interface: IP65, with 4 touch buttons and LCD display
- User functions: DMX address assignment, fixture configuration, scene setting, configuration of the wireless network
- Message display: battery status, address, fixture status, signal status, errors and alerts
- DMX recorder for memorizing cues programmed by the user
- Choice of preset cues: 80 static colors, 80 color-changing sequences
- Protection rating: IP65 for use outdoors
- Construction: UV-resistant ABS polymer and stainless steel
- Finish: available in black, white and chrome
- Can be secured with an anti-theft cable
- Plate with two holes for omega clamp fixing
- Orientation: any, upright or suspended upside-down



ACCESSORY

Flight case for charging up to 6 GlowUp units
code **F21230**



FREE TO USE ANYWHERE

GlowUp is indispensable in places where access to power is limited or where running cables is difficult or prohibited; for example, areas of natural beauty, archaeological sites, churches, monuments and other public spaces.

GlowUp is excellent for events where set-up time is short or in situations where cables are undesirable – in public access areas, exhibitions, conferences, weddings, trade shows and shopping centers.

GlowUp's simple, neutral design helps it blend into any type of environment. Its narrow beam can be used to highlight architectural features, facades, columns, stairs, walls, canopies, trees and other landscape features. For optical flexibility, the beam can be tilted, oriented and adjusted in width from 15 to 30 degrees.

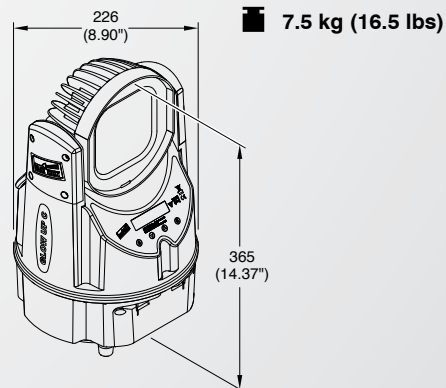
AVAILABLE IN 3 VERSIONS

GlowUp C (RGBW) is a fully programmable, color-changing accent light providing rich decorative illumination for events, parties, weddings, presentations and product launches – perfect for enhancing interiors, facades, landscapes and gardens.
code C71050

GlowUp TW (Tunable White). This model is able to create variations in color temperature from warm white to cool white. It is designed for situations where just the right shade of white is required to emphasize architectural features faithfully: ideal for museums, art galleries, archaeological sites, churches, and heritage buildings.
code C71055

GlowUp W (cool White), a standard, bright, white beam for industrial and functional applications. Provides a temporary reserve of light in emergency situations – easy to carry, cable-free and professional. Perfect for security and emergency services.
code C71060

WEIGHT & DIMENSIONS (mm/inches)



ALPHA SPOT QWO 800

A brilliantly effective graphics 800 W projector

code C61380

The Alpha Spot QWO 800 uses the latest FastFit single-ended MSR Platinum lamp - a 800W light source that produces an intense sparkling light, brighter even than older 1200W lamps. Additionally, the Alpha Spot QWO 800 is equipped with optical features that place this luminaire at the very top of its class, including:

- A very wide zoom range from 7.6° to 55°
- Uniform beam distribution at all zoom angles
- A unique Stay-Sharp-Zoom feature that locks images in focus while zooming

Add to that the lamp's ability to reproduce highly detailed images, and the Alpha Spot QWO 800 becomes a brilliantly effective graphics projector. For that reason we decided not to skimp on the effects included: two glass gobo wheels (one rotating), an animation wheel, a rotating prism and a number of color options including a full CMY system, a color wheel and a variable CTO system.

The beam's size can be altered using the slick, 16-blade iris that provides a more rounded, continuous hard edge. For soft-edged pro-

jections, there is a variable frost, while accurate dimming is achievable via an electrical-mechanical hybrid dimmer. Making the most of these features is the Dyna-Cue-Creator, a powerful tool that not only speeds up programming, but automatically synchronizes effects in a way that would be very complex to program manually.

The Alpha Spot QWO 800 has two other vital features. First, it is one of the quietest automated luminaires in existence. It never exceeds 42dBa and runs even more quietly while operating at half power (500W). Its second advantage is its small, compact size – no bigger than an Alpha 700. Usually, fixtures with such a rich set of features are housed in large, bulky frames – instead, the Alpha 800's slim, compact build lends it greater speed and agility.

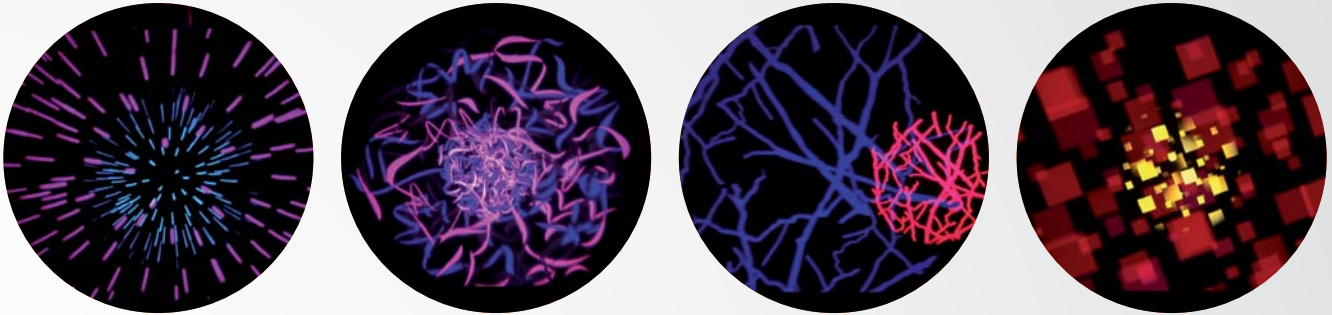
Small, lightweight construction, impressive zoom range, excellent brightness, uniform beam, silent operation, low consumption – these are just some of the features that make the Alpha Spot QWO 800 an excellent tool for TV, theatre, corporate events, and countless other demanding lighting applications.

TECHNICAL FEATURES

- Light source: discharge lamp
- Nominal power: 800 W
- Lamp type: single-ended, 7800 K
- Luminous Flux: 55,000 lm
- Nominal lamp life: 750 hrs
- Power supply: 100-120V, 200-240V 50/60Hz (automatic switching)
- Power consumption: 1200 VA at 230V, 50 Hz (PFC electronic ballast)
- Power saving mode: 500 W
- Zoom: linear from 11° to 55° with additional narrow 7.6° aperture
- Stay-Sharp-Zoom function for automatic focusing (patent pending)
- Dyna-Cue-Creator on special channel for fast artistic programming
- CMY color-mixing system
- Fixed color wheel with 8 colors
- Linear CTO (7,800 – 2,500K)
- 15 glass gobos (7 rotating + 8 fixed)
- 6-facet rotating prism
- Animation disc
- Variable Frost system
- Special 16-blade iris
- Mechanical shutter and adjustable speed strobe effect
- Hybrid dimmer (100-50% electronic, 50% to zero mechanical)
- Three-phase high-speed motors for pan and tilt
- Control channels: max 36

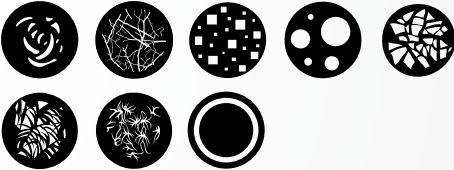


DYNA-CUE-CREATOR



The "Dyna-Cue-Creator" function opens doors for lighting designers to a universe of spectacular, creative solutions

STATIC GOBOS Ø 31.5 mm

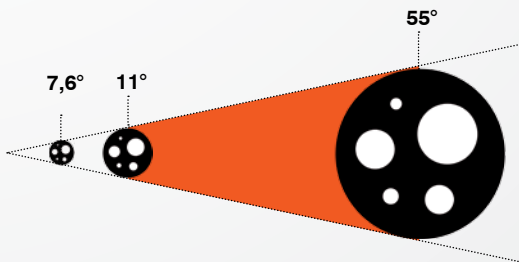


ROTATING GOBOS Ø 25.7 mm



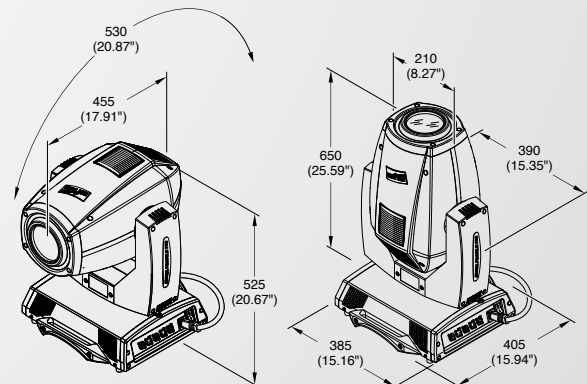
STAY-SHARP-ZOOM

The operator no longer has to worry about losing the sharpness of the projection.



WEIGHT & DIMENSIONS (mm/inches)

■ 30 Kg (66 lbs)



Offers complete protection against rain, heat and ice

code C61195: IGLOO with Wireless DMX receiver/transmitter

code C61198: IGLOO EASY VERSION (no W-DMX)

Whenever moving lights are installed outdoors – either permanently for architectural applications or during temporary events and festivals – protecting such sensitive equipment against the elements becomes essential. The Igloo was created by Clay Paky for exactly this purpose – a tough, sturdy enclosure that offers complete protection against rain and humidity, and maintains a perfect working temperature

(between 0°C and 35°C) for fixtures even in hot or sub-zero conditions. The Igloo is great for permanent installations and is an indispensable tool for rental companies who want to protect their stock of lighting during outdoor events and festivals. Above all, the Igloo is quick to install, simple to use and competitively priced.

The Igloo dome is injection molded from UV-resistant transparent polycarbonate, and is carefully designed to ensure flawless projections without loss of light or image distortion.

The Igloos have been designed to accommodate any model of moving light from Clay Paky Alpha 800, Alpha 700, Alpha 300 or Sharpy series, as well as other brands automated fixtures of similar size, weight and consumption.

For DMX512 fixture control, two options are available: either by using the Igloo version with onboard wireless receiver (useful for remote locations) or by using the DMX wired version (IGLOO EASY), with IN/OUT cables and waterproof glands, integrated into the base of the dome.

Power is supplied for IGLOO via a single cable with waterproof gland, that allows operation of both dome internal devices and luminaire. Otherwise IGLOO EASY has two different power cables for dome and luminaire (with waterproof glands).

The temperature inside the dome is regulated by an automatic cooling and heating system that maintains a constant operational temperature between 0 °C and 35 °C (32 °F-95 °F).

Installation follows a quick procedure requiring no tools or special skills. Included brackets allow mechanical fixing of different Clay Paky's luminaire. Once sealed, internal electrical connection is done via the supplied Powercon socket (with waterproof gland). DMX fixture control is provided by an integrated XLR socket, connected to the wireless receiver (standard XLR cables with waterproof glands in the IGLOO EASY version).

The Igloos are equipped with four carrying handles and offers the option of a flight case for safe transport.

The base is extremely shallow allowing the beam to point in any direction without being blocked or masked - even at maximum downward tilt.

The Igloo is entirely weatherproof, with each component offering IP54 protection. The locking system connecting the base to the dome is equipped with a watertight seal and fasteners; power and data cable glands are certified for outdoor use. And, a flexible mounting system allows the Igloo to be oriented in any position without compromising its high IP rating-either placed on the ground, hung upside-down or fixed to upright structures in a horizontal position.

MAIN FEATURES

- Base: ABS and stainless steel
- Cover: fully transparent dome, in injection molded polycarbonate, UV protected
- Transparency: gobos projection with no image distortion
- Enclosure protection grade: IP54
- Electrical inlets (all with waterproof glands and 1.5 m power cable): n.1 in the W-DMX version; n.2 in the Easy version
- Fixture internal power connection: with integrated Powercon plug
- DMX512 control: built-in receiver (and transmitter) in the standard version; DMX in/out wires in the Easy Version
- DMX512 connectors: in/out connectors with cable glands available in both versions; the Easy version has pre-mounted DMX cables (1.5 m)
- Cooling: sensor-controlled fan system, maintaining internal temperature < 35°C
- Heating: sensor-controlled heater, maintaining internal temperature above 0°C
- Working position: any (including base-up installation)
- Fixture mounting: internal luminaire fixing system equipped with interchangeable special brackets that match different Clay Paky fixtures

- Ventilation: adjustable hoses with automatic position detection and alarm
- Ground positioning: 4 adjustable feet for perfect horizontal levelling
- Transport: 4 built-in carrying handles
- Packaging: carton box or flight-case (optional)
- Approval: ETL approved

Luminaires: suitable for the following fixtures (or equivalent in size and consumption):

- Clay Paky Alpha 300 series
- Clay Paky Alpha 700 series
- Clay Paky Alpha Spot QWO 800
- Clay Paky Sharpy

OPTIONAL ACCESSORIES

- | | |
|---|-------------|
| Horizontal Mounting Kit | code C61193 |
| Roxter-Case for 1 Igloo/Igloo Easy (including special foam) | code F21220 |