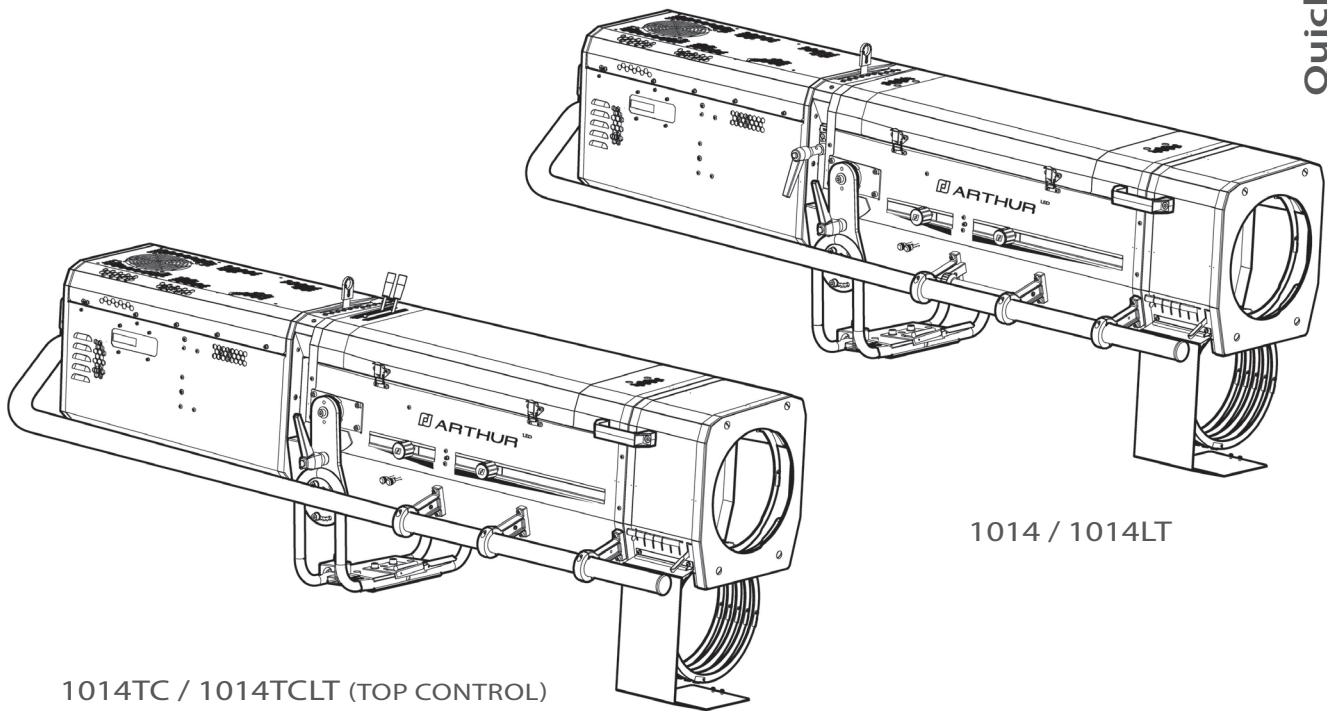


ARTHUR

LED FOLLOWSPOT



1014TC / 1014TCLT (TOP CONTROL)

1014 / 1014LT

800 W FOLLOWSPOTS

Model	Standard	North American
5.5° - 15°	ARTHUR 1014TC	ARTHUR 1014CTC
4° - 10°	ARTHUR 1014TCLT	ARTHUR 1014CTCLT

Model	Standard	North American
5.5° - 15°	ARTHUR 1014	ARTHUR 1014C
4° - 10°	ARTHUR 1014LT	ARTHUR 1014CLT

User's manual:



For more information and updates:
www.robertjuliat.com/followspots/followspots.html

Included:



V1

VALIDATION: 06/04/22

DN41195900-A

Robert Juliat S.A.S. 32, rue de Beaumont, F 60530 Fresnoy-en-Thelle - phone : +33 (0)3 44 26 51 89 - fax : +33 (0)3 44 26 90 79 - info@robertjuliat.fr

www.robertjuliat.com



ROBERT JULIAT

1 User's instructions

GENERAL INSTRUCTIONS

1. Not for residential use.
2. **These fixtures must only be serviced by a qualified technician.**
3. In addition to the instructions indicated on this page, relevant health and safety requirements of the appropriate EU Directives must be adhered to at all times.
4. This fixture is in compliance with section 17 - Lighting appliance for theatre stages, television, cinema and photograph studios. Standards NF EN 60598-1, NF EN 60598-2-17, Low Voltage Directive 2014/35/UE & EMC Directive 2014/30/UE.
5. This fixture is rated as IP20, and is for indoor use only.

FIXTURE

6. Ensure fixture is correctly mounted on an appropriate support.
7. Protection screens and lenses must be replaced in the event of any damage, such as cracks or deep scratches, since these might reduce performance.
8. When hung or flown the fixture must be secured by an additional hanging accessory (such as a safety cable or bond) of suitable length.
9. Safety bonds or cables must be securely attached to the back of the fixture and be as short as possible, or rolled up as necessary, to minimise travel distance should the fixture be dislodged.
10. Movable accessories (scroller, etc.) must also be secured with a suitable safety cable or bond at the front of the fixture.
11. The combined weight of both the fixture and the accessories must be considered when choosing the load-bearing capability of safety cable or bond.
12. Do not open lighting fixture when the source is on.
13. **WARNING:** LED source become hot during use. Allow fixture to cool before servicing.
14. Do not tamper with design of fixture nor any of its safety features.
15. Tighten electrical mains cable connections regularly and replace with one of identical specification if damaged.
16. Use only with correct power supply.

VENTILATION

17. Keep well away from flammable material.
18. Not for outdoor use. Do not cover. Do not permit fixture to get wet.
19. To avoid overheating, do not obstruct air vents.
20. Ensure any cooling fans are in correct working order. If fans are not working, turn fixture off immediately and service as necessary.

CLEANING


21. Do not touch the LED source with your fingers.
22. To clean the optical parts, use a soft cloth in combination with distilled water or isopropyl alcohol recommended for coated optics. Do not use any cleaning product that contains solvents or abrasives, as these can cause surface damage. Dry with a soft lint-free cloth.
23. Regularly remove dust with a soft lint-free cloth.
24. If the fixture has filters, they must be cleaned frequently.

POWER SUPPLY

25. Disconnect from the mains before servicing.
26. Mains connection only. Do not connect to "electronic output" such as dimmer.
27. Ensure power supply circuit breakers, always remain accessible.

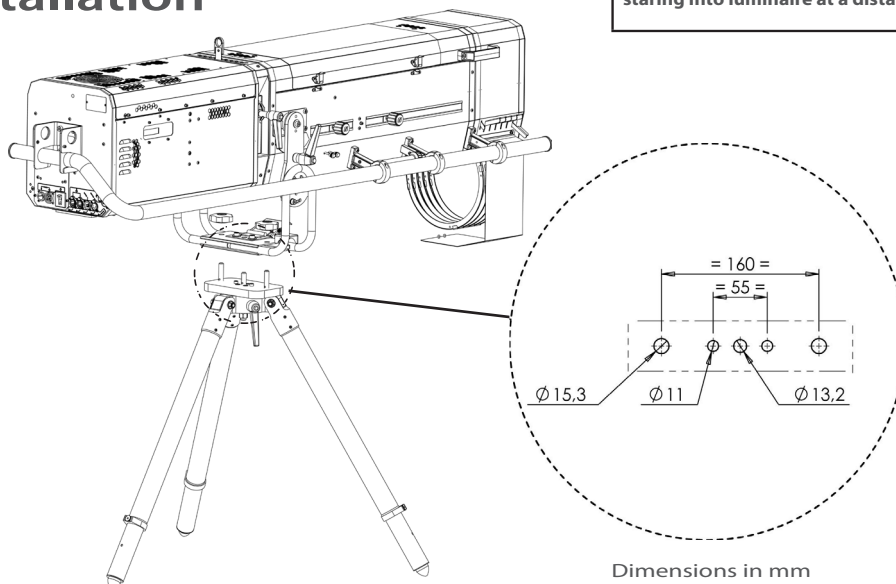
PLEASE NOTE

This product has been built to conform to European standards relating to professional lighting equipment. Any modification made to our products will void the manufacturers' warranty.

Risk group 2	
	CAUTION: Possibly hazardous optical radiation emitted from this product. Do not stare at operating lamp. Maybe harmful to the eye.

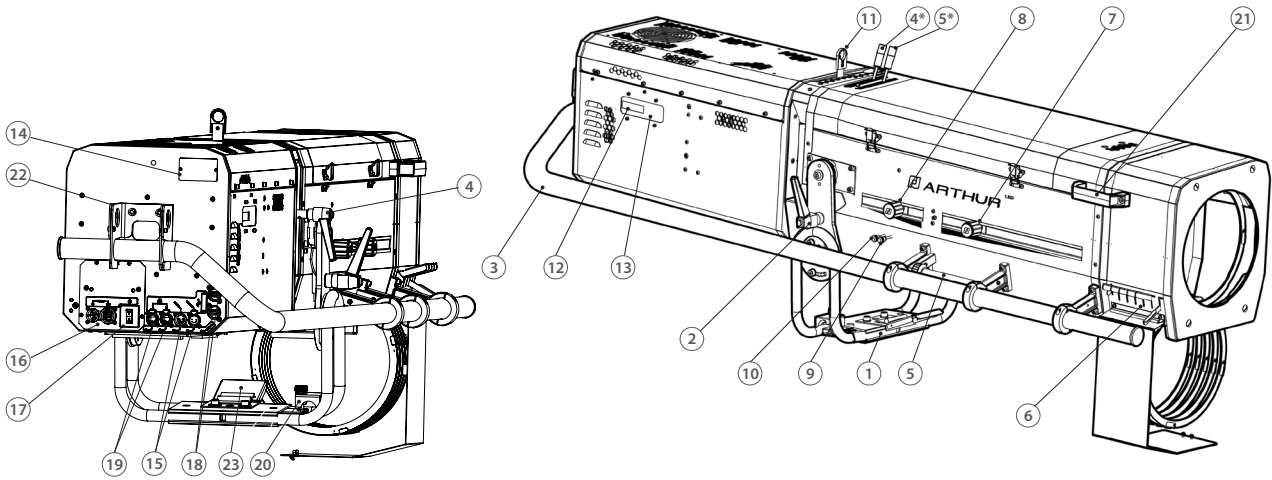
2 Installation

Group risk 2. Luminaires should be positioned so that prolonged staring into luminaire at a distance closer than 50m is not expected.



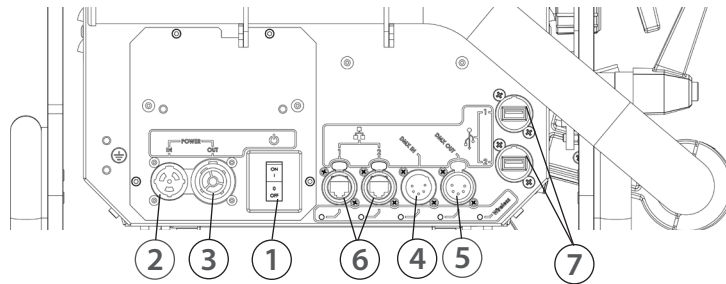
GT4000

Please refer to the relevant user manual for further details.



Functions	
1	Yoke
2	Tilt locking handle
3	Side operating handle
4	Iris control (1014/1014LT only)
4*	Iris control (1014TC/1014TCLT only)
5	Dimming control (1014/1014LT only)
5*	Dimming control (1014TC/1014TCLT only)
6	Colour changer
7	Zoom adjustment
8	Focus adjustment
9	Frost glass
10	Spare filter
11	Gobo holder
12	Local display
13	Keypad
14	Identification plate
15	Data connectors (OUT and IN)
16	Power connectors (IN and OUT)
17	Power switch (thermal breaker)
18	USB connectors for accessories
19	RJ45 connectors
20	Cable lock
21	Handles
22	Lifting rings
23	Tilt stopper

4 Electrical / Data connections

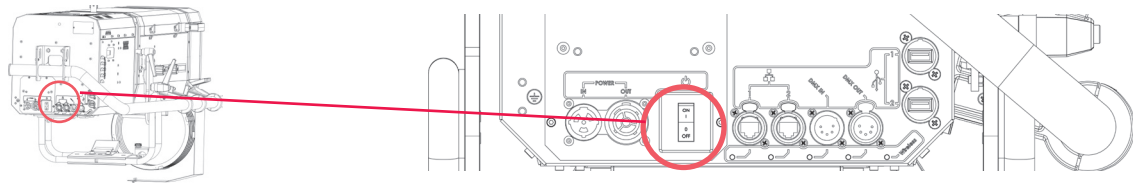


1	Switch	Power ON / OFF - Thermal breaker (10A. automatic switch)
2	Power input	Connector: Neutrik® powerCON TRUE1 TOP Max. 16A. Power input: 100 => 240V 50/60Hz Power consumption: @ 230V 50Hz = 990VA/960W @ 120V 60Hz = 1050VA/1030W @ 100V 60Hz = 1080VA/1060W
3	Power output	Connector: Neutrik® powerCON TRUE1 TOP Max. 8A. Power output available: @ 230V/16A = max 2600VA (or 2 Arthur units) @ 120V/15A = max 700VA (or 0 Arthur unit)
4	Data In	Connector: XLR 5-pin / Protocol: USITT DMX 512-A RDM
5	Data Out	Connector: XLR 5-pin
6	Ethernet	Connectors: RJ45 / Protocol Art-Net, sACN + software updating
7	Auxiliary out	Connectors: USB (Not for charging purpose)

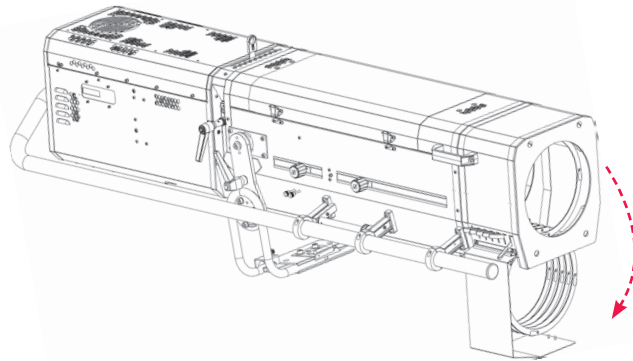
5 Operation



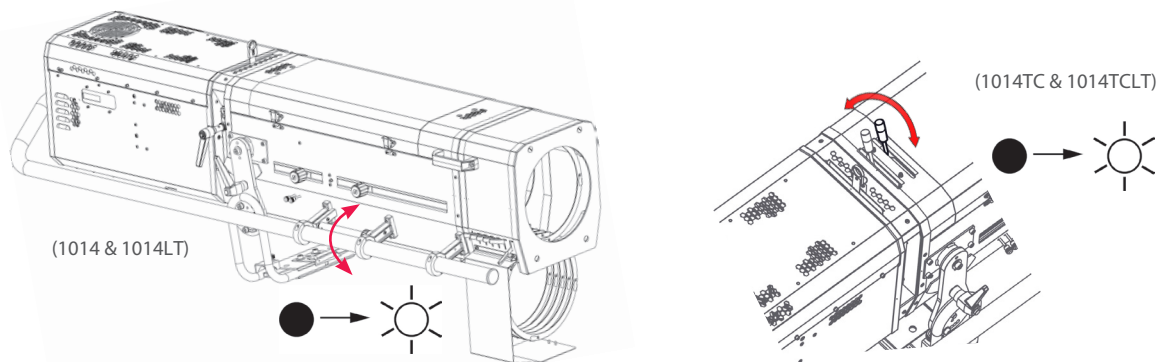
Step 1 - Switch on the followspot by pressing the ON / OFF power button.



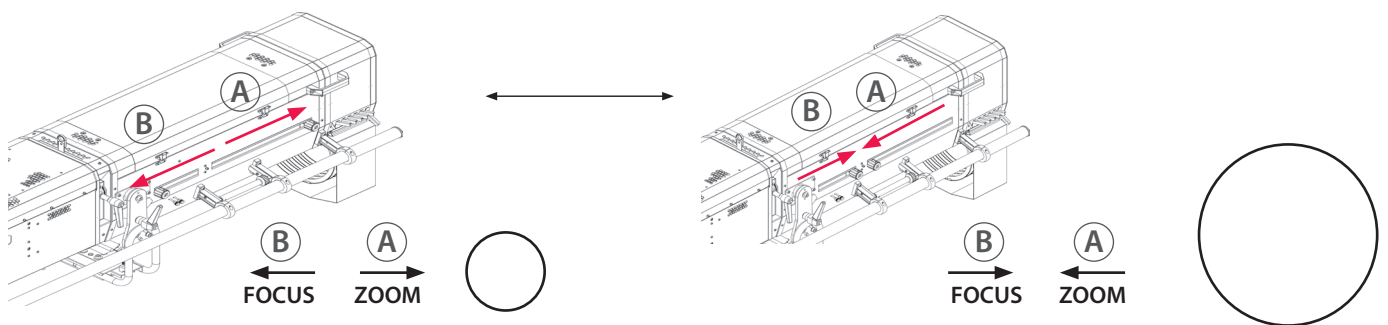
Step 2 - Open the colour changer unit to let the light beam out.



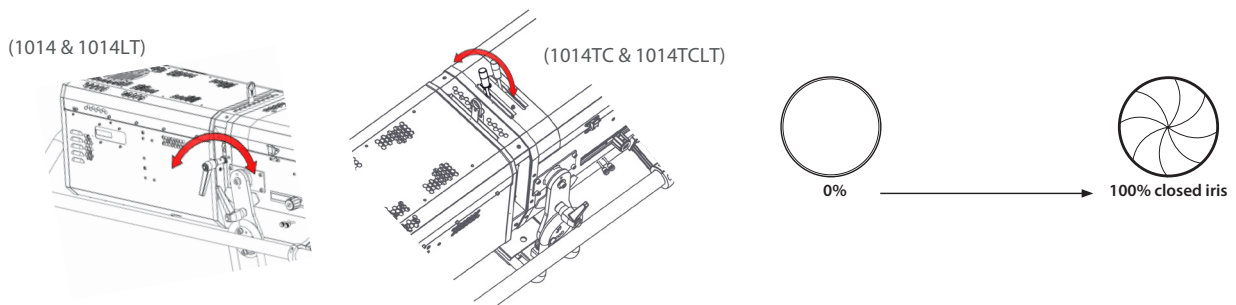
Step 3 - Use the manual dimming control to adjust the light intensity.



Step 4 - The light beam zoom and focus can be set by using the control knobs A & B



Step 5 - The beam size can be adjusted by using the iris cassette.



Robert Juliat reserves the right to change or alter any of the items detailed on this page, to increase or improve manufacturing techniques without prior notice.