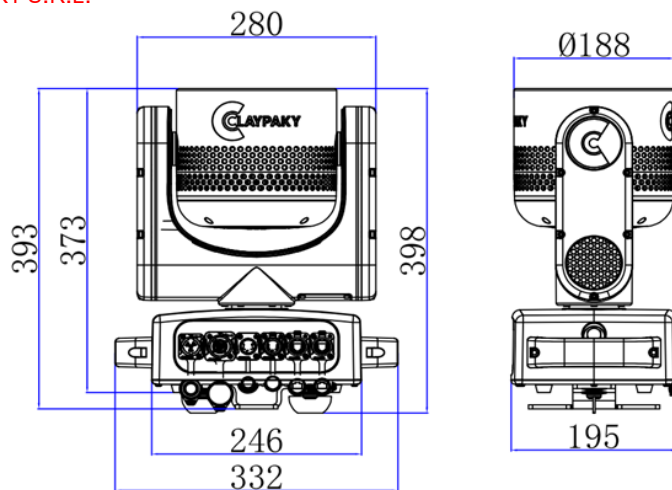


MODEL: MINI-B SPARKY AQUA

October 3, 2024

CODE: CL3034

WARNING: THE INFORMATION IN THIS DOCUMENT IS SUBJECT TO CHANGE WITHOUT NOTICE AND SHOULD NOT BE CONSTRUED AS A COMMITMENT BY CLAY PAKY S.R.L.



LIGHT SOURCE:

Source type: LED RGBW (330 pcs x 1W)
Power: 250 W
Color temp.: 6400K
LED life expectancy: 50.000 hrs L70*

* It may vary depending on various factors, such as the type of use and environment

PHOTOMETRIC DATA:

Aperture: 120°
Lm output: ≤ 14.000 Lm
Optical system: High efficiency

CONTROL & CONNECTIONS:

Protocols: DMX, Art-Net, sACN, RDM, Webserver
Connectors: Locking 5 pin XLR IN/OUT; RJ45 IN/OUT
Power con.: PowerCon True 1 IN/OUT
Web server: Built-in
CloudIO: Fully compatible

DYNAMIC EFFECTS:

Colors: Electronic CTO; Advanced layers management (color, internal shape, pixel mapping); individual control of 10 LEDs areas; pre-programmed shape selection of static and dynamic patterns
Movement: Tilt: 270°; Pan: 540
Strobe: Electronic strobe from 1 to 30 f/sec
Dimmer/Shutter: High speed electronic dimmer – 16 Bit; High speed electronic shutter and strobe

HARDWARE & SOFTWARE:

Display graphic LCD backlit B/W display; firmware upload from another fixture, firmware upgrade via Web Server; diagnostic; DMX monitoring; remote access through RDM

HOUSING:

Magnesium housing; two-side handles for transportation; IP66 protection rate; working in any position; hanging system with fast-lock Omega clamps (1/4) on the base

ELECTRICAL:

Operating voltage: 100 – 120 / 200 – 240 V, 50 / 60 Hz
MAX power consumption: 300 W

THERMAL SPECIFICATIONS:

MAX ambient temperature: 45 °C (113 °F)
Min ambient temperature: -20 °C (-4 °F)

WEIGHT & SIZES:

Weight: 12,1 Kg (26,67 lbs)
Base dim.s: 246 x 195 mm (9,7 x 7,7 In)
Height with vert. head (h): 373 mm (14,7 In)

DRAFT