



AN OSRAM BUSINESS

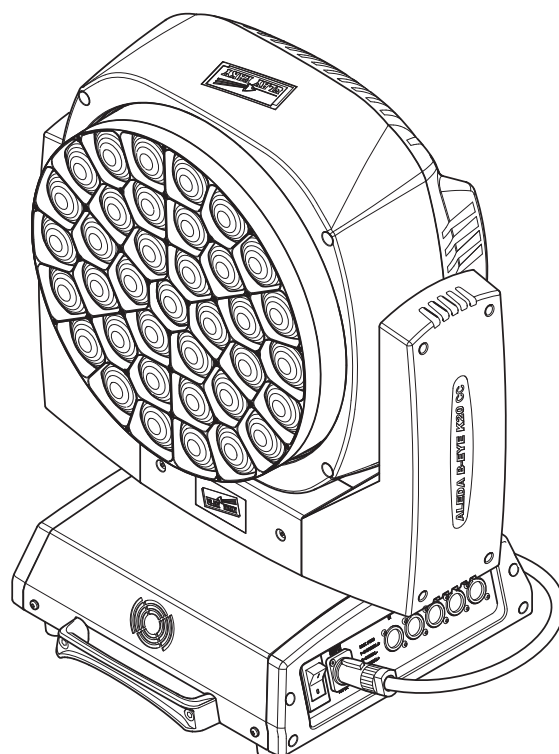
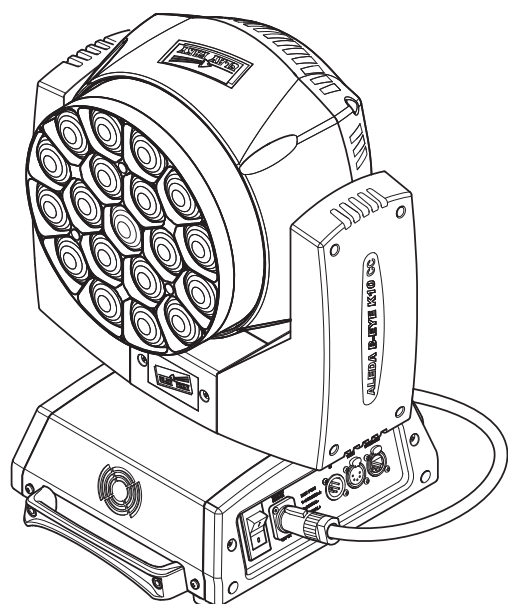
A.LEDA B-EYE K10 CC

C61418

A.LEDA B-EYE K20 CC

C61421

INSTRUCTION MANUAL



INDEX

Page	Contents
2	Safety Information
3	Unpacking and preparation
4	Installation and start-up
5	Control panel
7	Menu setting
14	Maintenance
15	Accessories
16	Technical information
16	Cause and solution of problems
17	Channel functions

Congratulations on choosing a Clay Paky product!

We thank you for your custom.

Please note that this product, as all the others in the rich Clay Paky range, has been designed and made with total quality to ensure excellent performance and best meet your expectations and requirements.

Carefully read this instruction manual in its entirety and keep it safe for future reference. It is essential to know the information and comply with the instructions given in this manual to ensure the fitting is installed, used and serviced correctly and safely.

CLAY PAKY S.p.A. disclaims all liability for damage to the fitting or to other property or persons deriving from installation, use and maintenance that have not been carried out in conformity with this instruction manual, which must always accompany the fitting.

CLAY PAKY S.p.A. reserves the right to modify the characteristics stated in this instruction manual at any time and without prior notice.

SAFETY INFORMATION

EN

SAFETY INFORMATION

IMPORTANT: Clay Paky recommends you carefully read and keep the safety information on this product, also available in digital format at the following link:

<http://www.claypaky.it/en>

Ref: [FIS00J – Safety information Series A.leda B-EYE K10 -K20]

IT

INFORMAZIONI DI SICUREZZA

IMPORTANTE: Clay Paky raccomanda di leggere accuratamente e conservare le informazioni di sicurezza relative a questo prodotto, sempre reperibili in versione digitale al seguente link:

<http://www.claypaky.it/en/download>

Rif: [FIS00J – Safety information Series A.leda B-EYE K10 -K20]

DE

INFORMATIONEN ZUR SICHERHEIT

WICHTIG: Clay Paky empfiehlt, die Sicherheitsinformationen bezüglich dieses Produkts genau zu lesen und aufzubewahren. Sie sind in Digitalversion immer unter folgendem Link auffindbar:

<http://www.claypaky.it/en/download>

Ref: [FIS00J – Safety information Series A.leda B-EYE K10 -K20]

ES

INFORMACIONES DE SEGURIDAD

IMPORTANTE: Clay Paky recomienda leer detenidamente y conservar la información de seguridad relativa a este producto. Además, está disponible una versión digital de la misma en el siguiente enlace:

<http://www.claypaky.it/en/download>

Ref: [FIS00J – Safety information Series A.leda B-EYE K10 -K20]

FR

CONSIGNES DE SÉCURITÉ

IMPORTANT: Clay Paky recommande de lire attentivement et de conserver les informations de sécurité relatives à ce produit, disponibles en version digitale au lien suivant:

<http://www.claypaky.it/en/download>

Réf. : [FIS00J – Safety information Series A.leda B-EYE K10 -K20]

RU

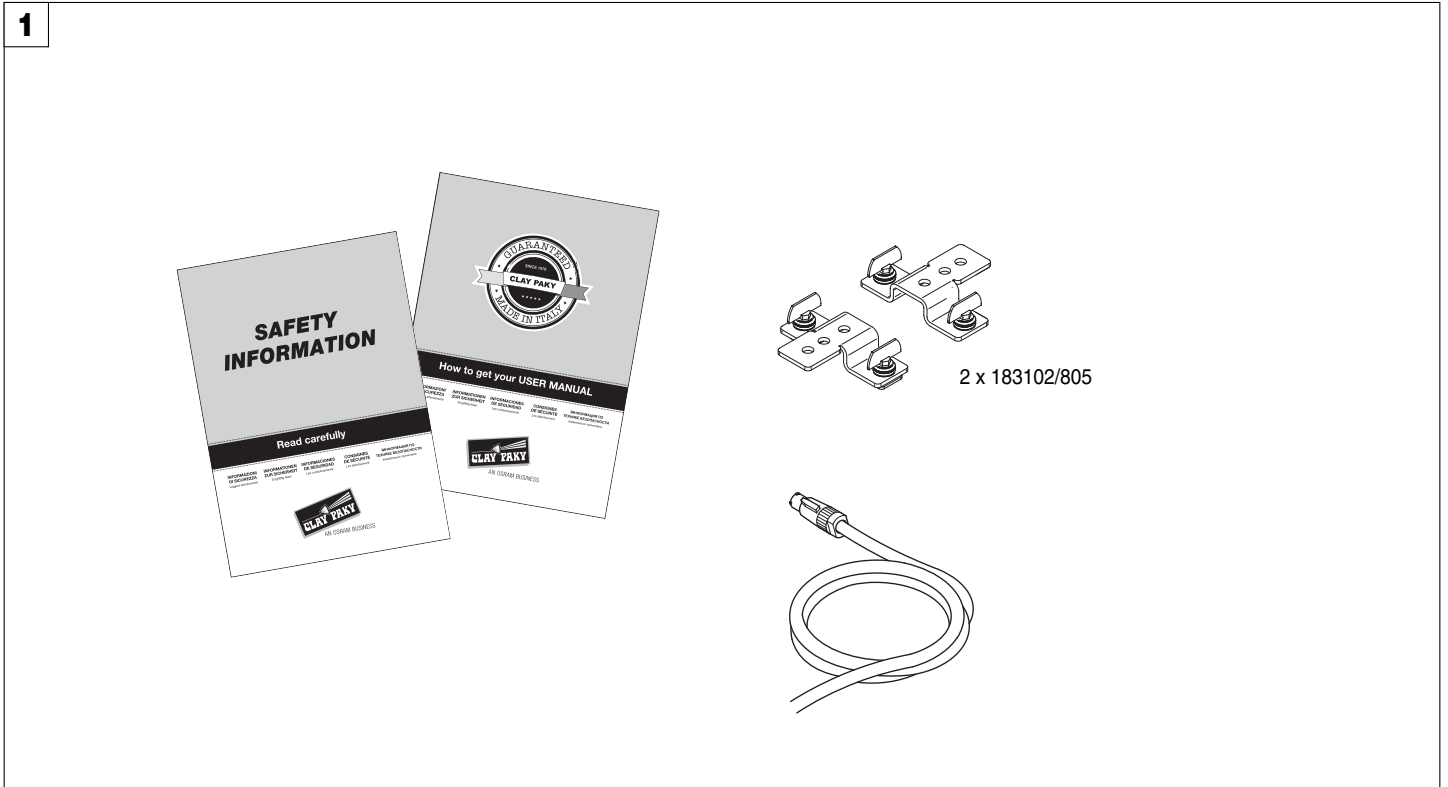
ИНСТРУКЦИЮ ПО ТЕХНИКЕ БЕЗОПАСНОСТИ

ВАЖНО: Clay Paky рекомендует внимательно прочитать и сохранить инструкцию по технике безопасности данного изделия, которая всегда доступна в электронном формате по следующей ссылке:

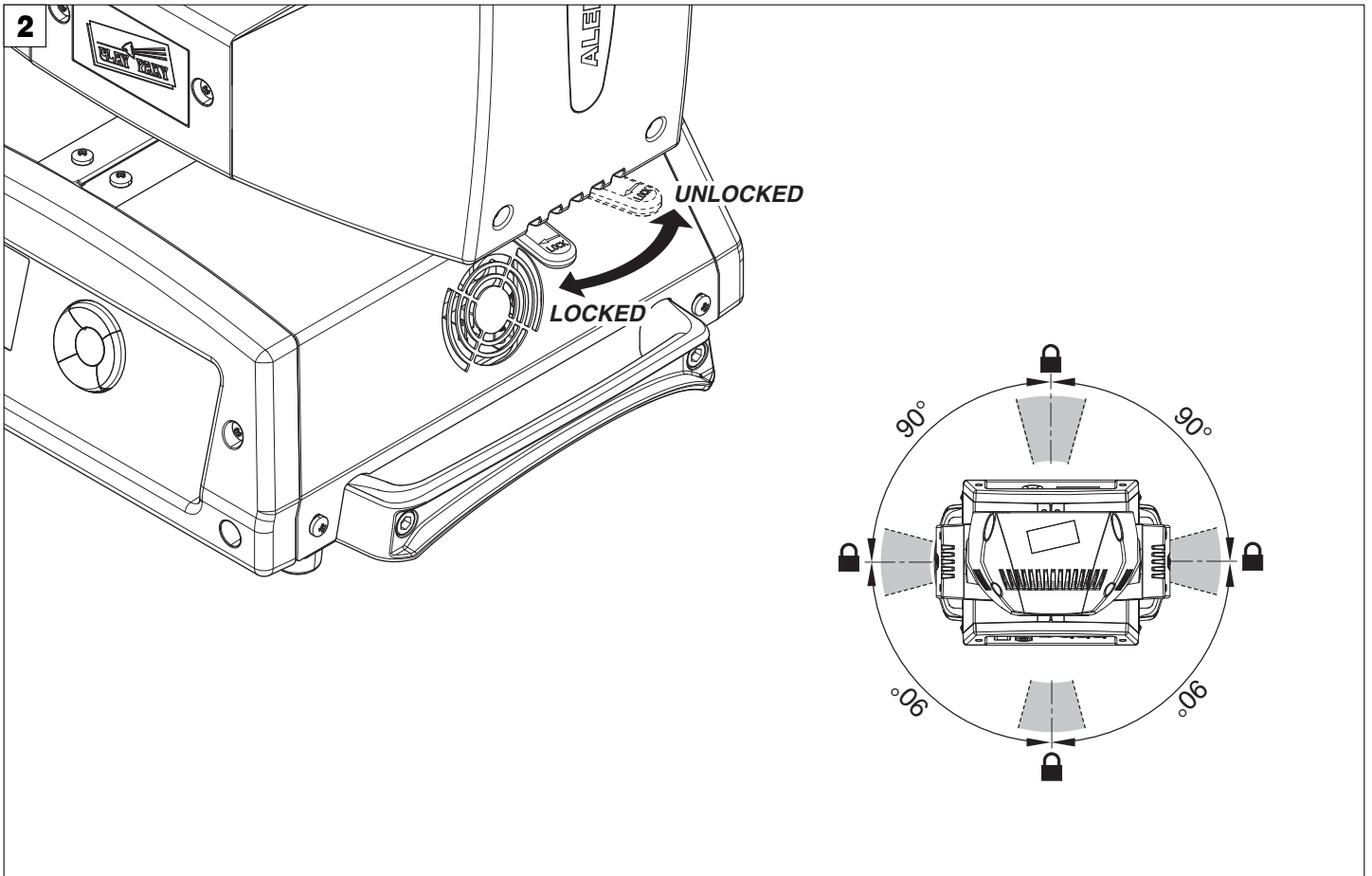
<http://www.claypaky.it/en/download>

Наименование: [FIS00J – Safety information Series A.leda B-EYE K10 -K20]

UNPACKING AND PREPARATION



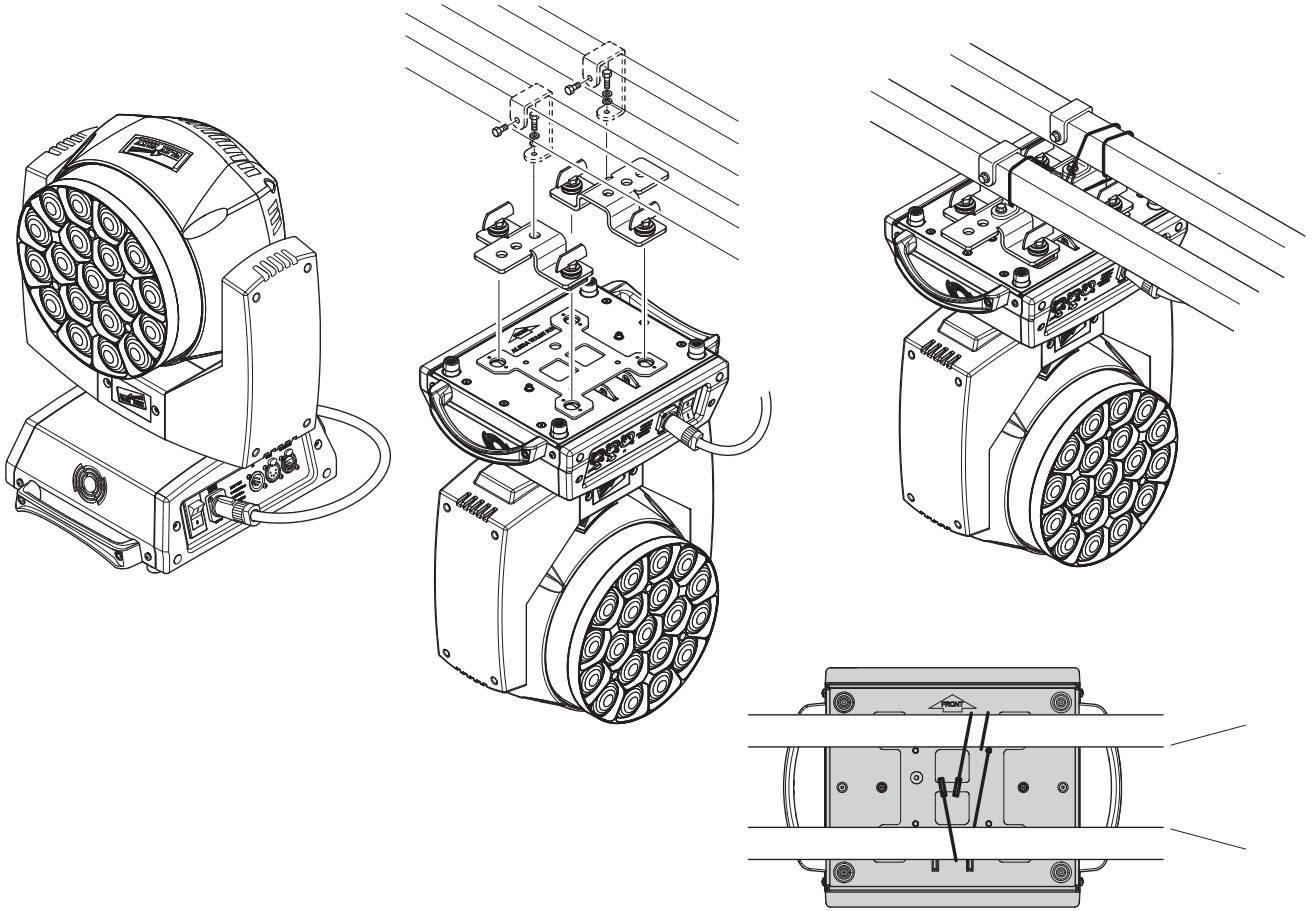
Packing contents - Fig. 1



PAN Mechanism Lock and Release (every 90°) - Fig. 2

INSTALLATION AND START-UP

3

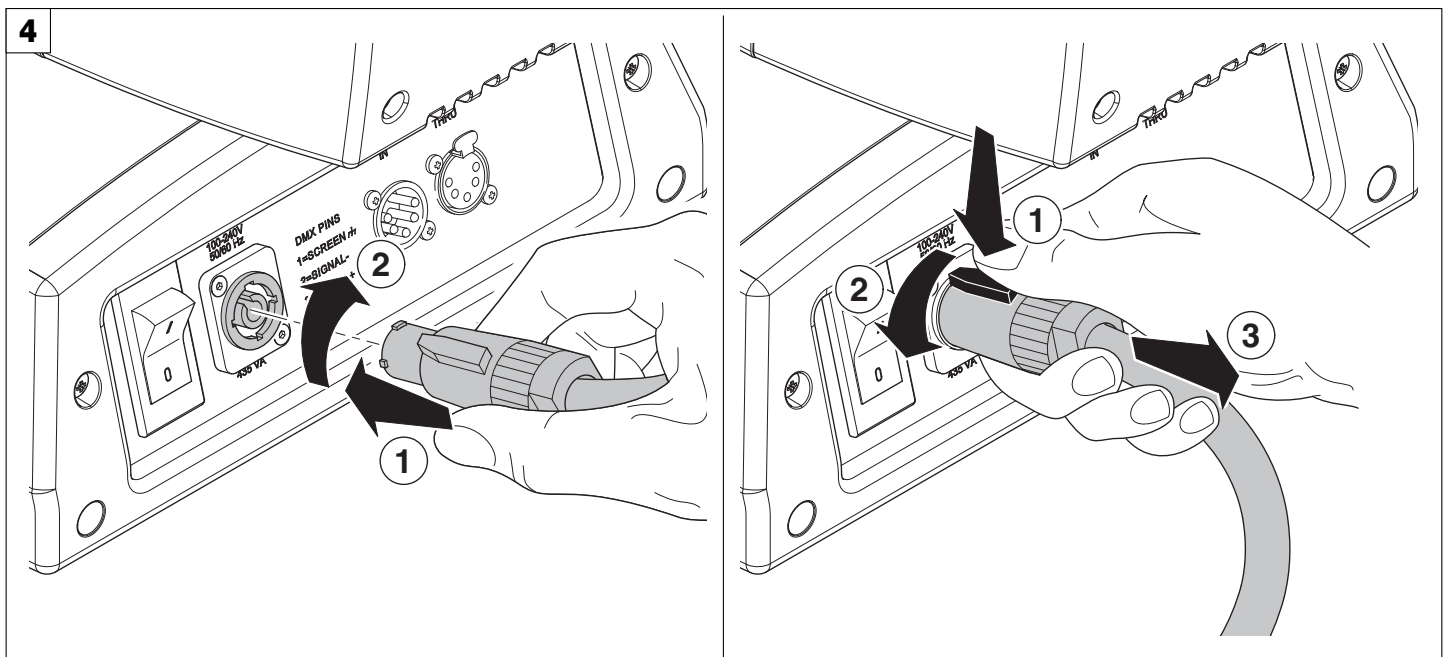


Installing the projector - Fig. 3

The projector can be installed on the floor resting on special rubber feet, on a truss or on the ceiling or wall.

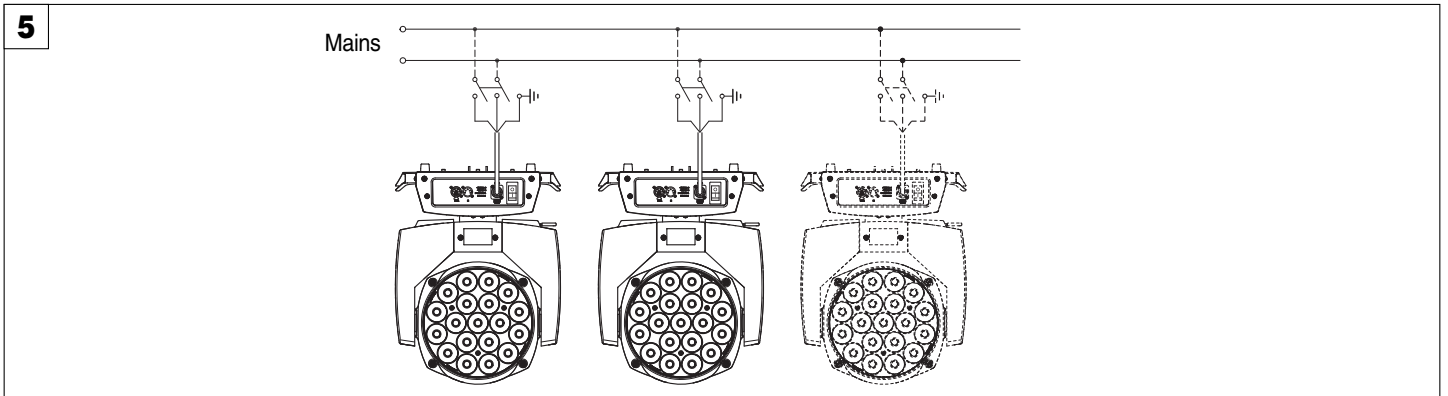
WARNING: with the exception of when the projector is positioned on the floor, the safety cable must be fitted. (Cod. 105041/003 available on request). This must be securely fixed to the support structure of the projector and then connected to the fixing point at the centre of the base.

4

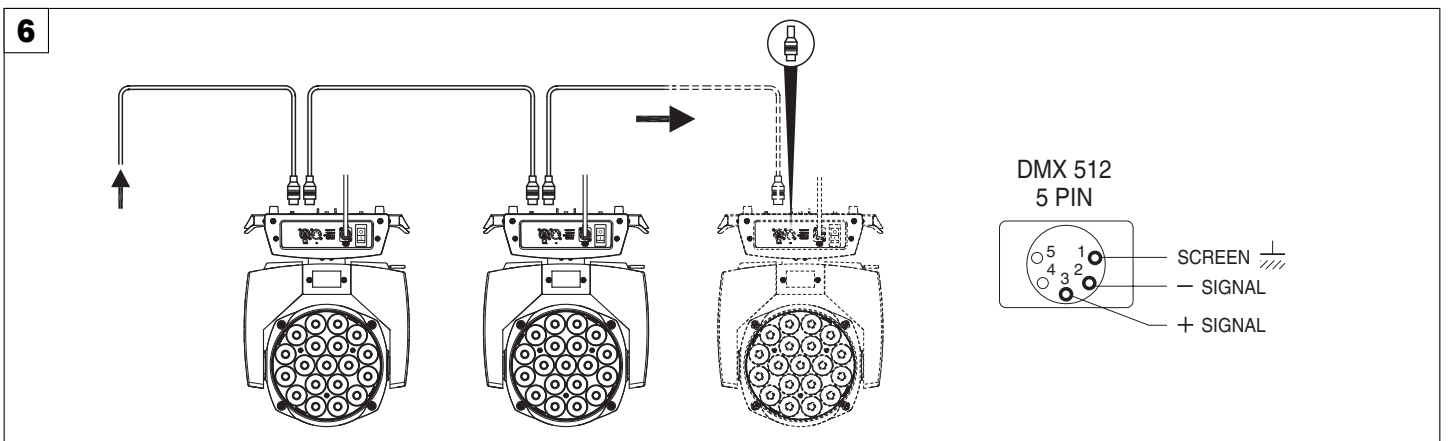


Connecting and disconnecting power cable - Fig. 4

CONTROL PANEL



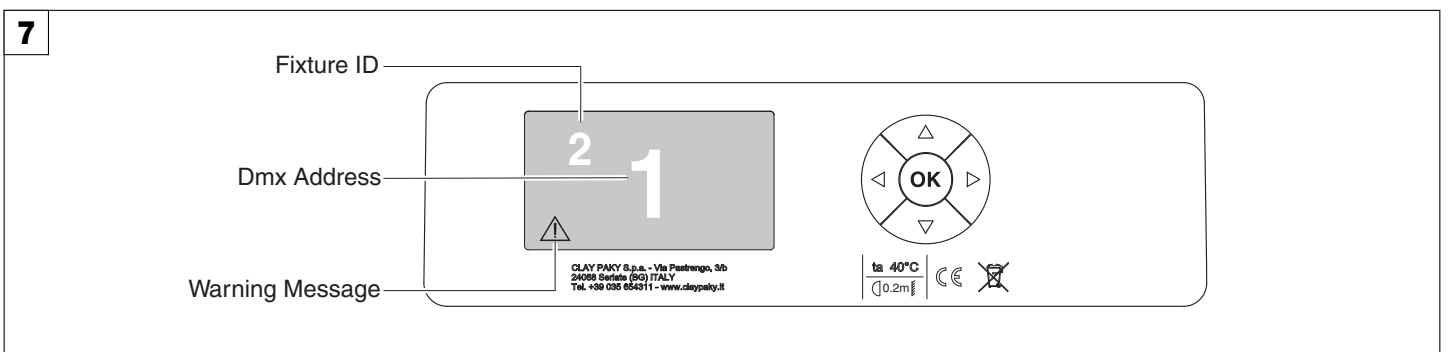
5 Connecting to the mains supply - Fig. 5



6 Connecting to the control signal line (DMX) - Fig. 6

Use a cable conforming to specifications EIA RS-485: 2-pole twisted, shielded, 120Ohm characteristic impedance, 22-24 AWG, low capacity. Do not use microphone cable or other cable with characteristics differing from those specified. The end connections must be made using XLR type 5-pin male/female connectors. A terminating plug must be inserted into the last projector with a resistance of 120Ohm (minimum 1/4 W) between terminals 2 and 3.

IMPORTANT: The wires must not make contact with each other or with the metal casing of the connectors. The casing itself must be connected to the shield braid and to pin 1 of the connectors.

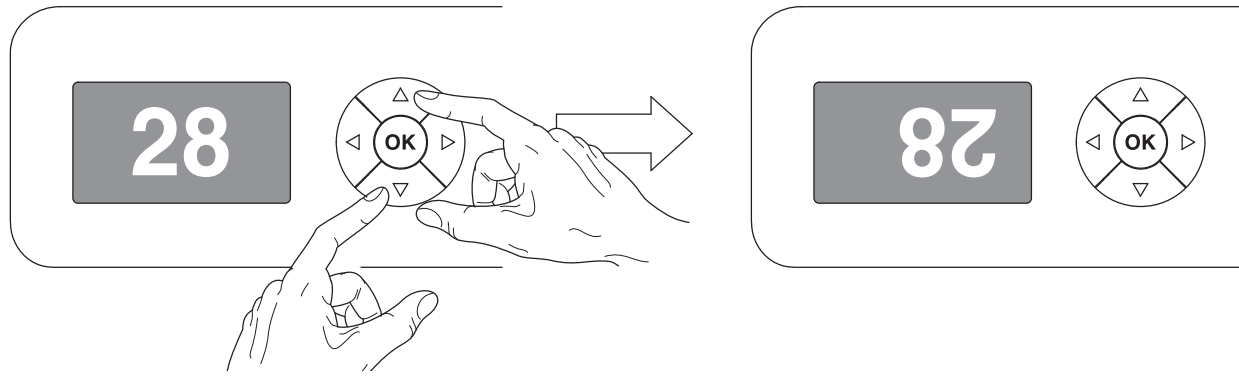


7 Switching on the projector - Fig. 7



Press the switch. The projector starts resetting the effects. At the same time, the following information scrolls on the display:

	Model A.leda B-EYE CC	Firmware Version X.X.X Date - Hour	xxx (Fixture ID) Dmx Address xxx	System errors E: W:
--	------------------------------------	---	--	--

On conclusion of resetting in case of absence of the dmx signal, Pan and Tilt move to the "Home" position (Pan 128 bit - Tilt 128 bit). The control panel (Fig. 7) has a display and buttons for the complete programming and management of the projector menu. The display can be in one of two conditions: rest status and setting status. When it is in the rest status, the display shows the projector's DMX address and the Fixture ID address (if set). During menu setting status, after a wait time (about 30 seconds) without any key having been pressed, the display automatically returns to rest status. It should be noted that when this condition occurs, any possible value that has been modified but not yet confirmed with the **OK** key will be cancelled.



Reversal of the display - Fig. 8

To activate this function, press UP  and DOWN  keys simultaneously while the display is in the rest mode. This status will be memorised and maintained even for the next time it will be switched on. To return to the initial state, repeat the operation all over again.

Setting the projector starting address

On each projector, the starting address must be set for the control signal (addresses from 1 to 512).

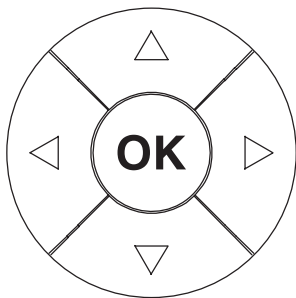
The address can also be set with the projector switched off.

Setting the projector Fixture ID

On each projector, the Fixture ID address must be set for an easy identification of the fixtures in an installation (ID from 1 to 255).

The Fixture ID address can be set with the projector switched off.

Functions of the buttons - Using the menu



Confirms the displayed value, or activates the displayed function, or enters the successive menu.



DOWN

Decreases the value displayed (with auto-repetitions) or passes to the next item in the menu.



UP

Increases the value displayed (with auto-repetitions) or passes to the previous item in a menu.



LEFT



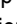


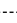
Return to the top level.




RIGHT

Commute from units, tens, hundreds, in the "Address", "Fixture ID" and "Calibration" menu.

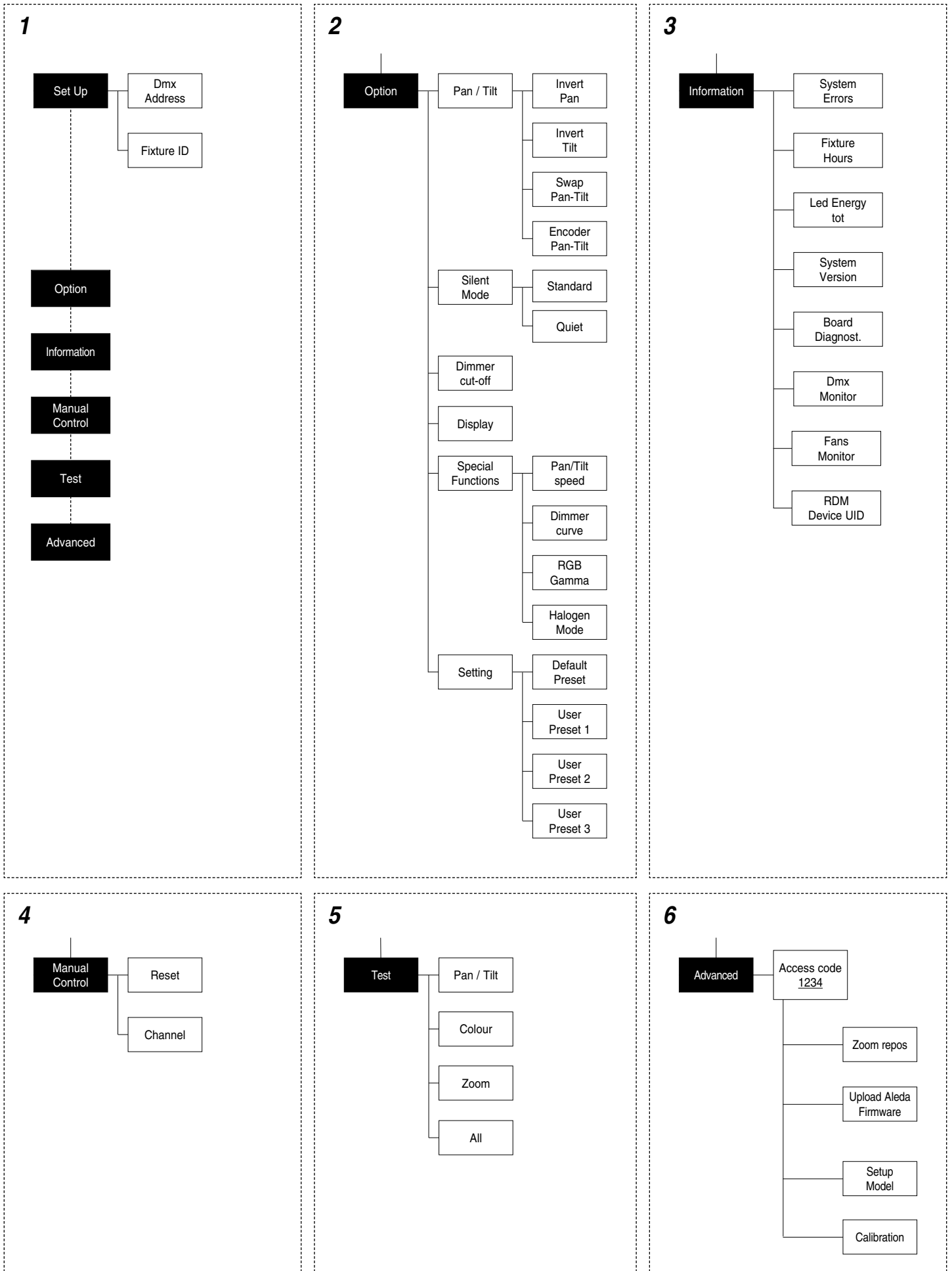
USING THE MENU:

- 1) Press  once – "Main Menu" appears on the display.
- 2) Use the UP  and DOWN  keys to select the menu to be used:
 - Setup (Setup Menu): To set the setting options.
 - Option (Option Menu): To set the operating options
 - Informations (Informations Menu): To read the counters, software version and other information.
 - Manual Control (Manual control Menu): To trigger the test and manual control functions.
 - Test (Test Menu): To check the proper functioning of effects
 - Advanced (Advanced Menu): Access to the "Advanced menu" is recommended for a trained technical personnel.
- 3) Press  to display the first item in the selected menu.
- 4) Use the UP  and DOWN  keys to select the MENU items.

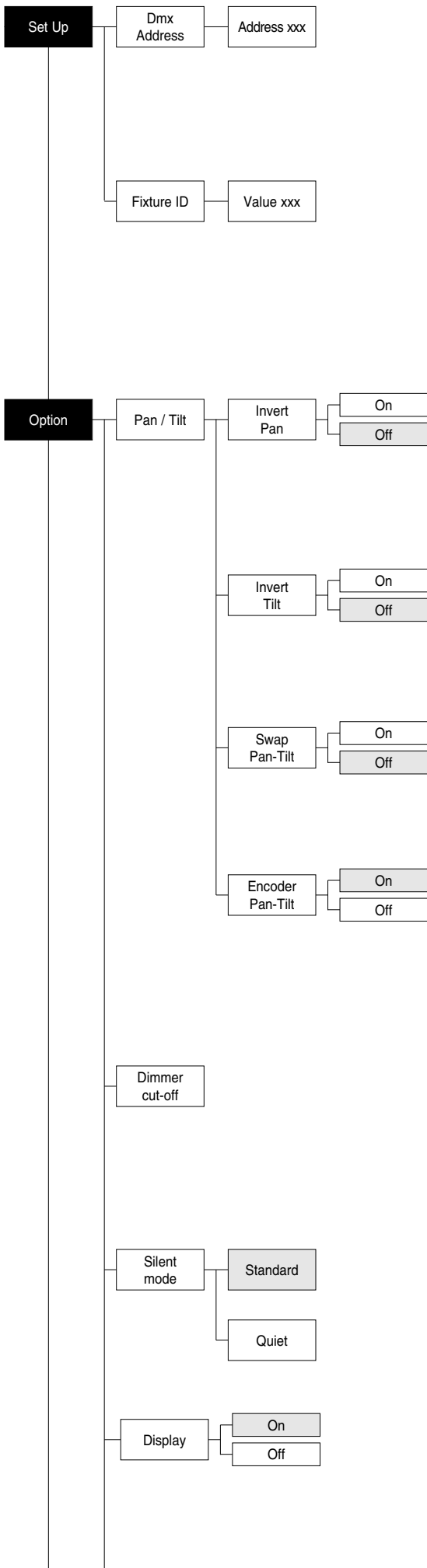
Setting addresses and options with the projector disconnected

The projector's DMX address, as well as other possible operating options, can also be set when the appliance is disconnected from the electricity supply. All that is needed is to press  to momentarily activate the display and thus access the settings. Once the required operations have been carried out, the display will switch off again after a wait time of 30 seconds.

MENU SETTING



NOTE: On grey the default options



SET UP MENU

DMX ADDRESS

NOTE: without the DMX signal the Address (XXX) flashing

Allows you to select the DMX ADDRESS.

- 1) Press **OK** - the current DMX Address appear on the display.
- 2) Use the UP **▲** and DOWN **▼**, RIGHT **▶** keys to plan the DMX Address.
- 3) Press **OK** to confirm the selection or LEFT **◀** to keep current settings.

FIXTURE ID

Allows you to select the FIXTURE ID.

- 1) Press **OK** - the current Fixture ID appear on the display.
- 2) Use the UP **▲**, DOWN **▼**, RIGHT **▶** keys to plan the Fixture ID.
- 3) Press **OK** to confirm the selection or LEFT **◀** to keep current settings.

OPTIONS MENU

PAN / TILT

Invert pan

Used for reversing Pan movement.

- 1) Press **OK** - the current settings appear on the display (On or Off).
- 2) Use the UP **▲** and DOWN **▼** keys to enable (On) or disable (Off) PAN inversion.
- 3) Press **OK** to confirm the selection or LEFT **◀** to keep current settings.

Invert tilt

Used for reversing tilt movement.

- 1) Press **OK** - the current settings appear on the display (On or Off).
- 2) Use the UP **▲** and DOWN **▼** keys to enable (On) or disable (Off) Tilt inversion.
- 3) Press **OK** to confirm the selection or LEFT **◀** to keep current settings.

Swap Pan-Tilt

Used for swapping Pan and Tilt channels (as well as Pan fine and Tilt fine).

- 1) Press **OK** - the current settings appear on the display (On or Off).
- 2) Use the UP **▲** and DOWN **▼** keys to enable (On) or disable (Off) Pan and Tilt channel swap.
- 3) Press **OK** to confirm the selection or LEFT **◀** to keep current settings.

Encoder Pan-Tilt

Used for enabling the Pan / Tilt encoders.

- 1) Press **OK** - the current settings appear on the display (On or Off).
- 2) Use the UP **▲** and DOWN **▼** keys to enable (On) or disable (Off) Pan / Tilt encoders.
- 3) Press **OK** to confirm the selection or LEFT **◀** to keep current settings.
You can quickly disable the Pan and Tilt Encoder by simultaneously pressing the UP **▲** and DOWN **▼** keys in the "Main Menu".

DIMMER CUT-OFF

Used to set a DMX fine value under which the dimmer remains to zero level.

- 1) Press **OK** - the current Dimmer cut-off appear on the display.
- 2) Use the UP **▲** and DOWN **▼**, RIGHT **▶** keys to plan the Dimmer cut-off.
- 3) Press **OK** to confirm the selection or LEFT **◀** to keep current settings.

SILENT MODE

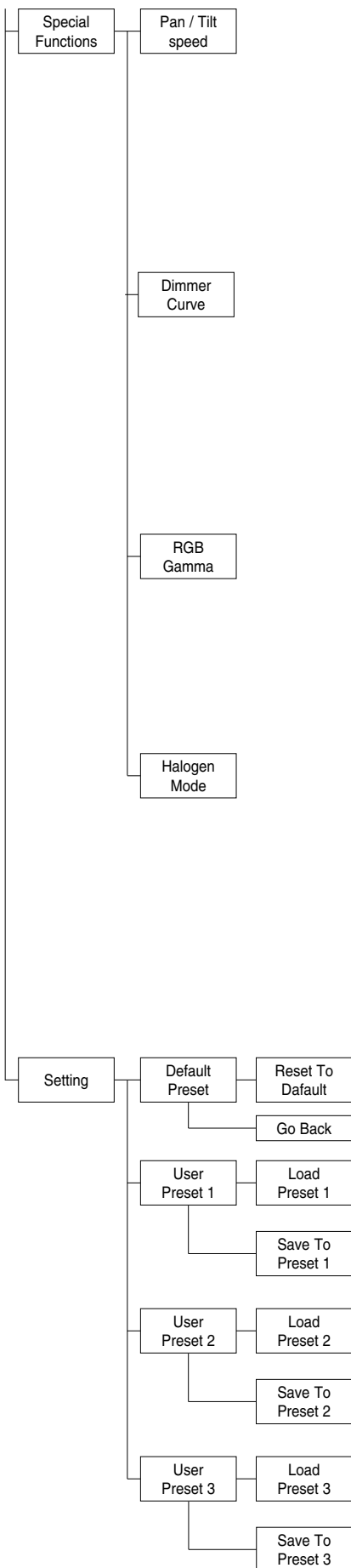
Lets you set an operator mode choosing from the two available:

- **Standard:** Maximum speed and consequently maximum effect and fan noise.
- **Quiet:** reduces the speed of some effects and fans thus also reducing noise.

DISPLAY

Used for automatically reduce brightness on the display after about 30 seconds in idle.

- 1) Press **OK** - the current settings appear on the display (On or Off).
- 2) Use the UP **▲** and DOWN **▼** keys to enable (On) or disable (Off) the decreasing of display brightness.
- 3) Press **OK** to confirm the selection or LEFT **◀** to keep current settings.



SPECIAL FUNCTIONS

Pan / Tilt speed

Lets you select two different Pan and Tilt speeds.

- 1) Press **OK** - the current setting appears on the display.
- 2) Use the UP **▲** and DOWN **▼** keys to select one of the following settings:
 - Normal
 - Fast
- 3) Press **OK** to confirm the selection or LEFT **◀** to keep current settings.

Dimmer Curve

Lets you select four different Dimmer channel curves.

- 1) Press **OK** - the current setting appears on the display.
- 2) Use the UP **▲** and DOWN **▼** keys to select one of the following settings:
 - Curve 1
 - Curve 2
 - Curve 3
 - Curve 4
- 3) Press **OK** to confirm the selection or LEFT **◀** to keep current settings.

RGB Gamma

Lets you select three different RGBW gamma curves.

- 1) Press **OK** - the current setting appears on the display.
- 2) Use the UP **▲** and DOWN **▼** keys to select one of the following settings:
 - Gamma 1.0
 - Gamma 1.5
 - Gamma 2.0
- 3) Press **OK** to confirm the selection or LEFT **◀** to keep current settings.

Halogen Mode

Lets you select five different halogen lamp simulations.

- 1) Press **OK** - the current setting appears on the display.
- 2) Use the UP **▲** and DOWN **▼** keys to select one of the following settings:
 - Halogen OFF
 - Halogen Lamp 1
 - Halogen Lamp 2
 - Halogen Lamp 3
 - Halogen Lamp 4
 - Halogen Lamp 5
- 3) Press **OK** to confirm the selection or LEFT **◀** to keep current settings.

SETTING

Used to save 3 different settings of the items in the options menu and relative submenus.

- 1) Press **OK** - "Default preset" appears on the display.
- 2) Use the UP **▲** and DOWN **▼** keys to select one of the following configurations:
 - Default preset (*)
 - User preset 1
 - User preset 2
 - User preset 3
- 3) Press **OK** - "Load preset X" appears on the display.
- 4) Use the UP **▲** and DOWN **▼** keys to select:
 - Load preset X to recall a previously stored configuration.
 - Save to preset X to store the current configuration.
 a confirmation message (Are you sure?) appears on the display.
- 5) Select YES to confirm the selection or NO to keep the current setting and return to the next higher level.

(*) DEFAULT PRESET

Used for restoring default values on all options menu items and relevant submenus.

- 1) Press **OK**, a confirmation message (Are you sure?) appears on the display.
- 2) Select YES to confirm the selection or NO to keep current setting.

OPTION	DEFAULT
Invert Pan	Off
Invert Tilt	Off
Swap Pan-Tilt	Off
Encoder Pan-Tilt	On
Silent Mode	Standard
Display	Off
Pan/Tilt speed	Fast
Dimmer Curve	Curve 1
RGB Gamma	Gamma 1.5
Halogen Mode	Halogen OFF

System Errors

Fixture Hours

Total	XXX
Partial	XXX
Reset...	

LED Energy Tot

System Version

Board	Fw.rv	Hw.rv.
CPU boot	x.x.x	
CPU Appl	x.x.x	x
LED drv	xx	

Board Diagnost.

Board	Status	Err%
Led brd	Good	0.00

Dmx Monitor

Fans Monitor

Fan	Speed (RPM)
PwrSp	XXXX
Head	XXXX

RDM Device UID

INFORMATION MENU

SYSTEM ERRORS

Shows a list of warnings and messages relevant to errors occurred since the fixtures switching-on.

- Pressing **OK** you are allowed to reset the SYSTEM ERRORS list.
A confirmation message (Are you sure you want to clear error list ?) appears on the display.
- Select YES to reset the list or NO to go back.

FIXTURE HOURS

Used for displaying projector operating hours (total and partial).

- Press **OK** - Hours total and partial appears on the display.
Total counter
Counts the number of projector working life hours (from manufacture to date).
Partial counter
Counts the number of partial projector working life hours since the last reset to date.
- Press **OK** to reset partial projector working hours a confirmation message (Are you sure?) appears on the display.
- Select YES to reset partial projectors counter or NO to keep the current setting and return to the top menu level.

LED ENERGY TOT

Lets you view total LED working hours.

- Press **OK** - to display total and partial Watts/hour:
Total
Total LED working hours from construction to date.
Partial
LED working hours from last reset to date.
- Press **OK** to reset the partial counter. A confirmation appears on the screen (Are you sure?)
- Select YES to reset the partial counter or NO to keep the current setting and open the next menu level.

SYSTEM VERSION

Used for displaying the software and hardware version of each board installed in the projector. (CPU and LED board).

BOARD DIAGNOSTIC

Used for displaying the status error of each board installed in the projector:
Led board

DMX MONITOR

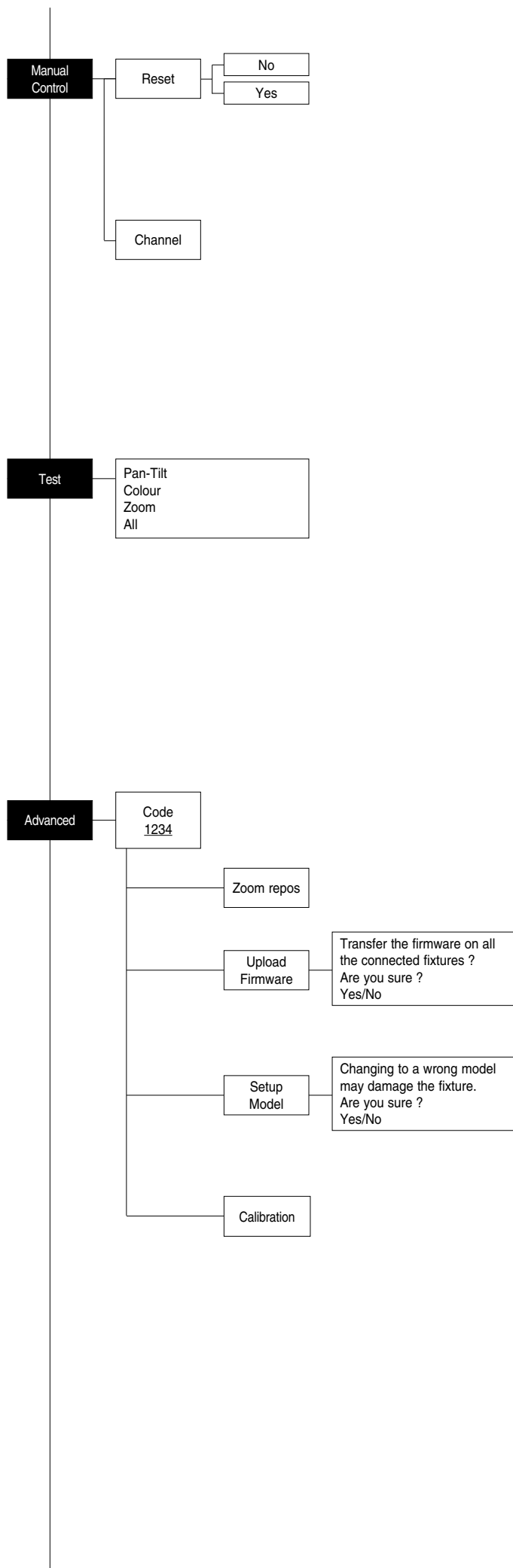
Used for displaying the projector DMX channel level in bit (Val) and in percentage (Perc).

FANS MONITOR

Used for displaying the speed of each fan installed in the projector:
PwrSp (fan PSU)
Head (fan head)

RDM DEVICE UID

Shows the exclusive address of the fixture to use communicate via RDM.



MANUAL CONTROL

RESET

Used for resetting the projector.

- 1) Press **OK** to reset the projectors, a confirmation message (Are you sure ?) appears on the display.
- 2) Select YES to starting reset the fixture or NO to keep the current setting and return to the top menu level.

CHANNEL

Used for setting channel levels from the projector control panel.

- 1) Press **OK** - the first channel appears on the display.
- 2) Use the UP **▲** and DOWN **▼** keys to select the required channel:
- 3) Press **OK** and use the UP **▲** and DOWN **▼** keys to select the required DMX level (value between 0 and 255).
- 4) Press LEFT **◀** to return to the top menu level.

TEST MENU

TEST

Allows you to check the proper functioning of effects.

- 1) Press **OK** to return to the top menu level.
- 2) Use the UP **▲** and DOWN **▼** keys to select the required test.
- 3) Press **OK** to confirm the selection or LEFT **◀** to keep current settings.

Test sequence:

Pan - Tilt effects (Pan & Tilt)

Colour effects

Zoom

All effects

ADVANCED MENU

To enable the "Advanced Menu" set up the "Access code" (1234) using the UP **▲**, DOWN **▼**, RIGHT **▶** keys.

Press **OK** - "Menu advanced" appears on the display

ZOOM REPOS

Allows you to enable (On) or disable (Off) the coming back of the lens assembly (channel Zoom @ 255bit), in the absence of DMX signal.

UP LOAD FIRMWARE

Allows you to transfer the firmware from 1 fixture to all the connected fixtures.

- 1) Press **OK**, a confirmation message appears on the display.
- 2) Select YES to start the firmware loading or NO to keep the current setting and return to the top menu level

SETUP MODEL

Allows you to change the default model of projector.

- 1) Press **OK** a confirmation message appears on the display.
- 2) Select YES to define the model of projector or NO to keep the current setting and return to the top menu level.

CALIBRATION

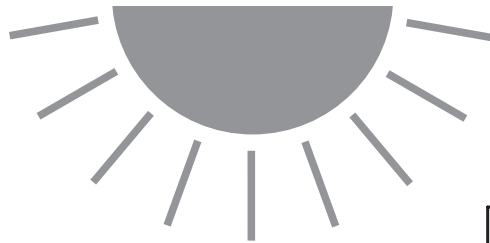
Allows you to adjust effects from the control panel to obtain perfect uniformity between the projectors.

- 1) Press **OK** - "channels" appears on the display.
- 2) Using the UP **▲** and DOWN **▼** keys, select the effect you wish to regulate.
- 3) Press **OK** and use the RIGHT **▶**, UP **▲** and DOWN **▼** buttons to make the adjustment by setting a value between 0 and 255.
- 4) Press **OK** to confirm the selection or LEFT **◀** to keep current settings and return to the top level.

FACTORY DEFAULT

Allows you to restore default values of all channels (128).

- 1) Press **OK** - a confirmation message appears on the display (Reset calibration to factory default ?).
- 2) Select YES to reset calibration to factory default or NO to keep the current setting and return to the top menu level.

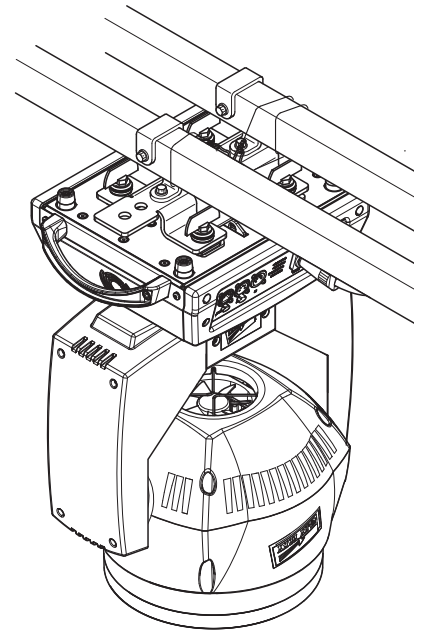
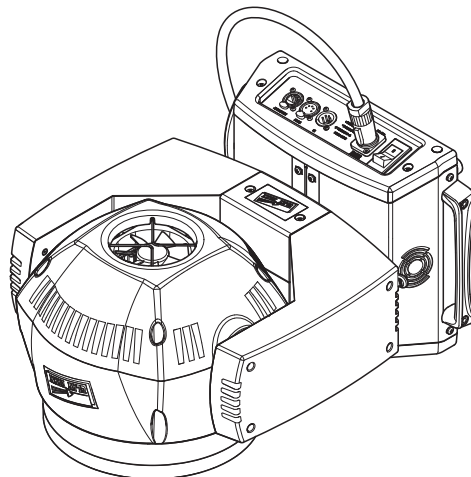
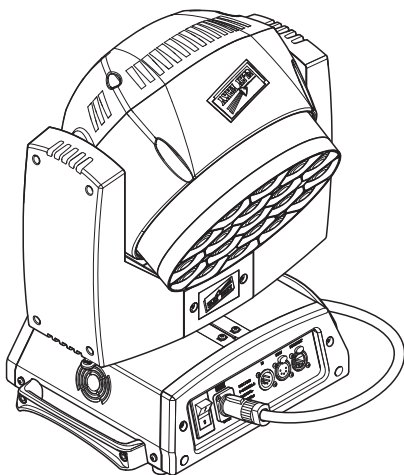
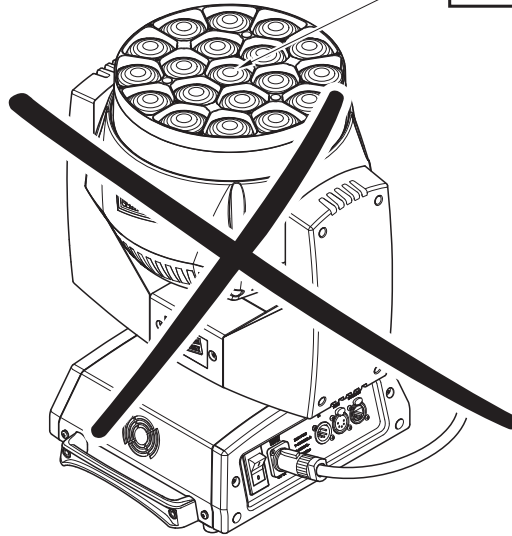


WARNING:
no alcohol



Light collimation system

This product contains internal light collimation system. Avoid intense light from any angle.



CAUTION:

- To avoid damage to the internal parts of the fixture when the fixture is not working, it is recommended to turn the head down before turning the fixture off, so that the front lenses of the fixture are invested as little as possible from the sun.
- Set channel 20 (Zoom) to 255-bit before turning off the projector to facilitate the packaging of the projector.

- To ensure optimal operation and performance for a long time it is essential to periodically clean the parts subject to dust and grease deposits. The frequency with which the following operations are to be carried out depends on various factors, such as the amount of the effects and the quality of the working environment (air humidity, presence of dust, salinity, etc.).

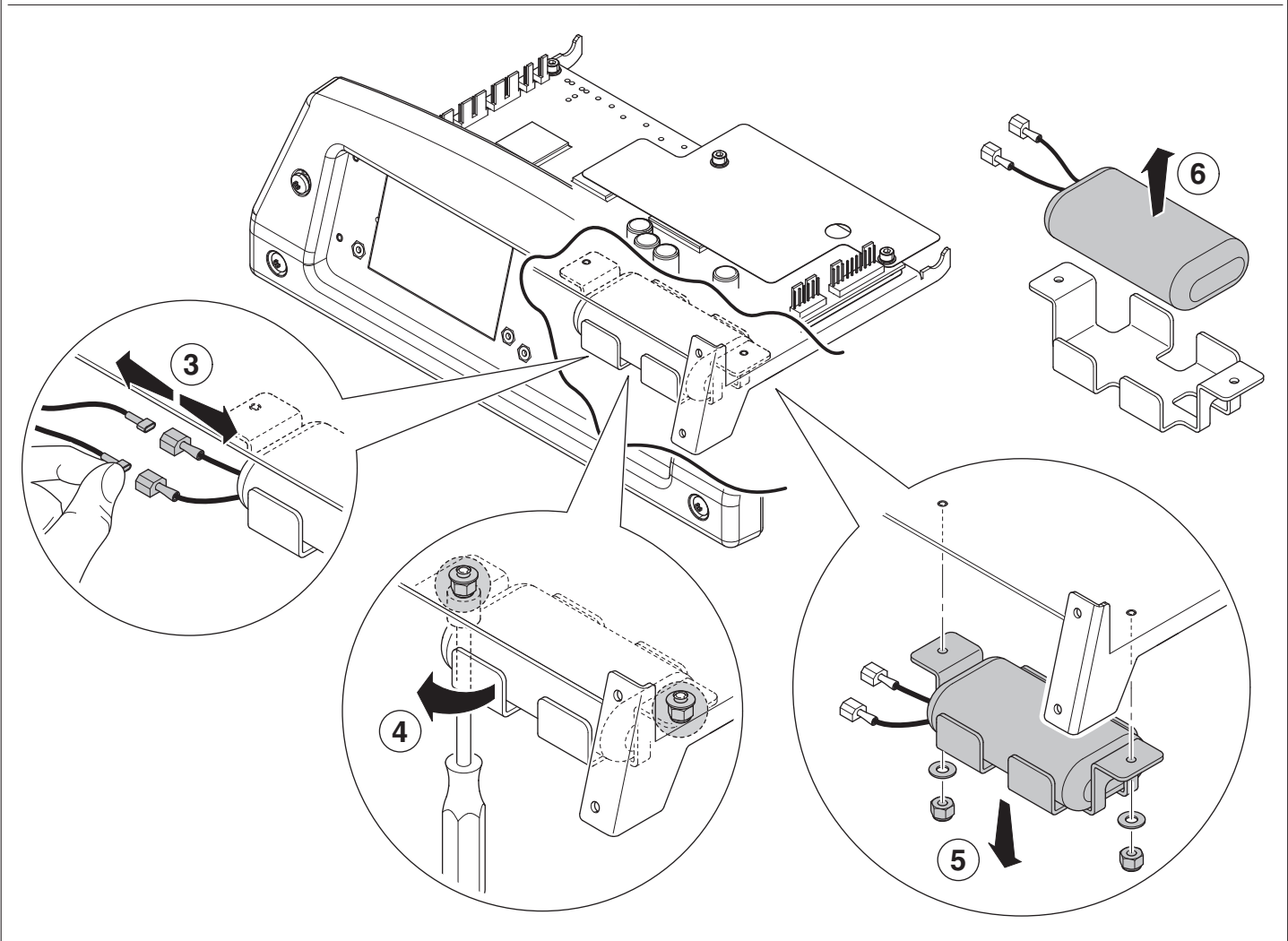
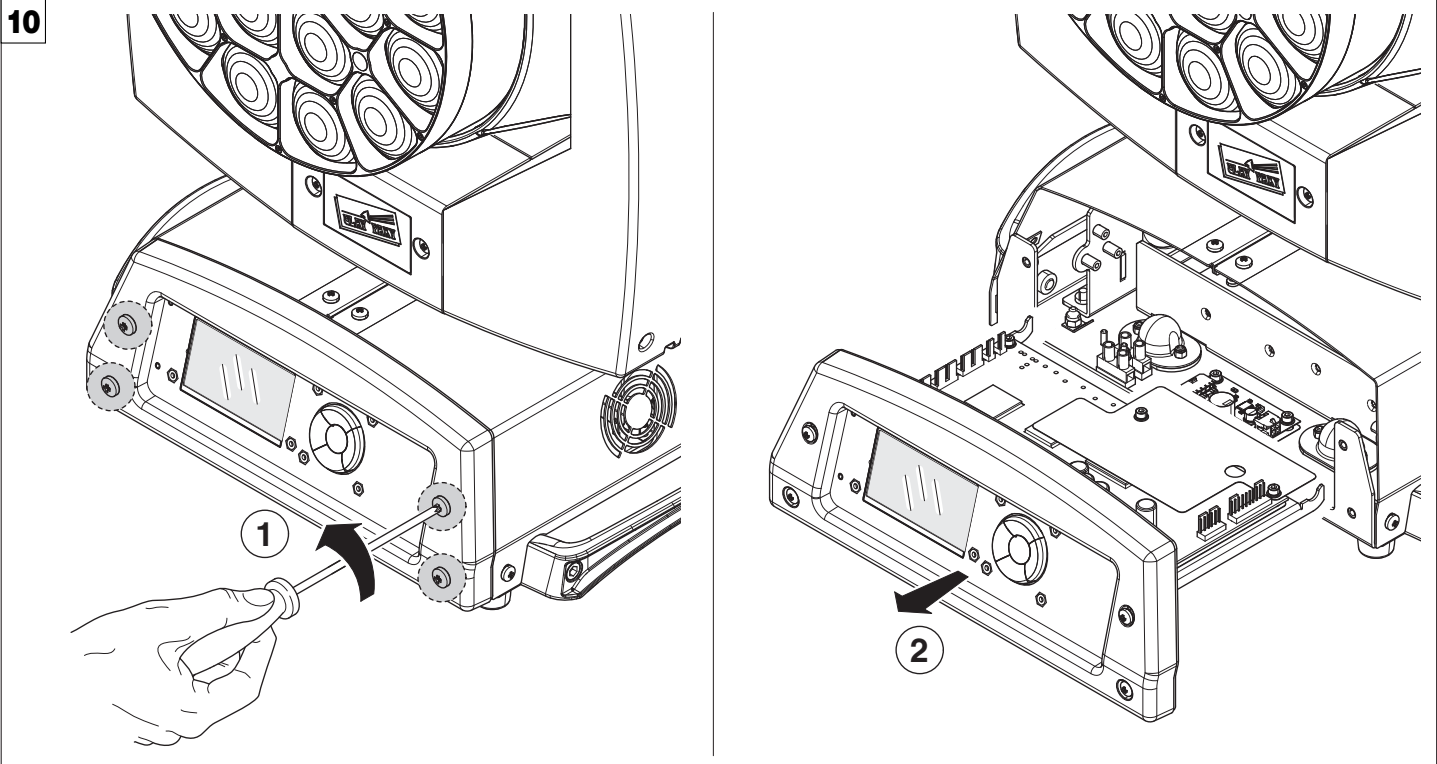
It is recommended that the projector undergoes an annual service by a qualified technician for special maintenance involving at least the following operations:

- General cleaning of internal parts.
- Restoring lubrication of all parts subject to friction, using lubricants specifically supplied by Clay Paky.
- General visual check of the internal components, cabling, mechanical parts, etc.
- Electrical, photometric and functional checks; eventual repairs.

Cleaning the lenses

Only use neutral soap and water to clean the lenses, then dry it carefully with a soft, non-abrasive cloth. (WARNING: the use of alcohol or any other detergent could damage the lenses).

10

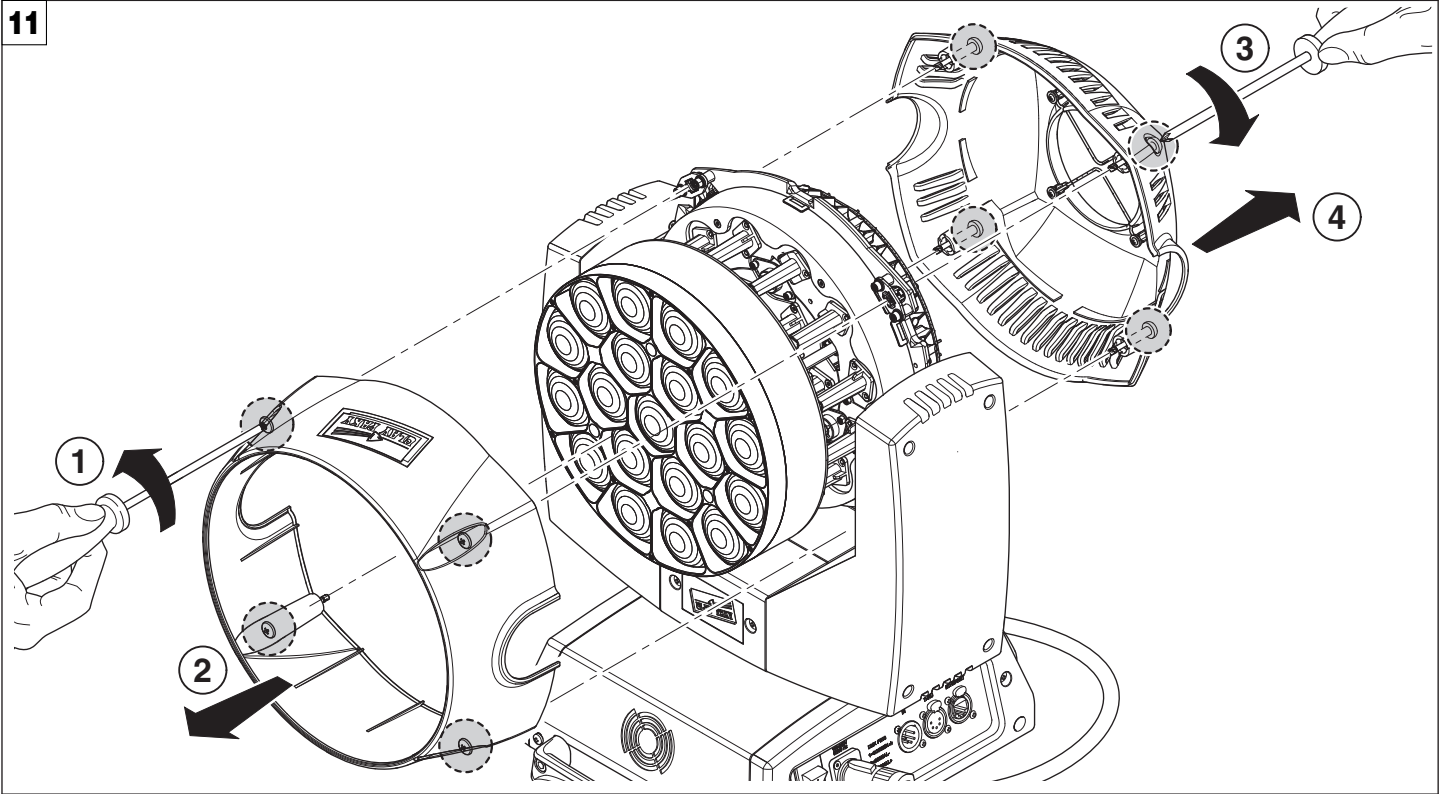


Battery removal - Fig. 10

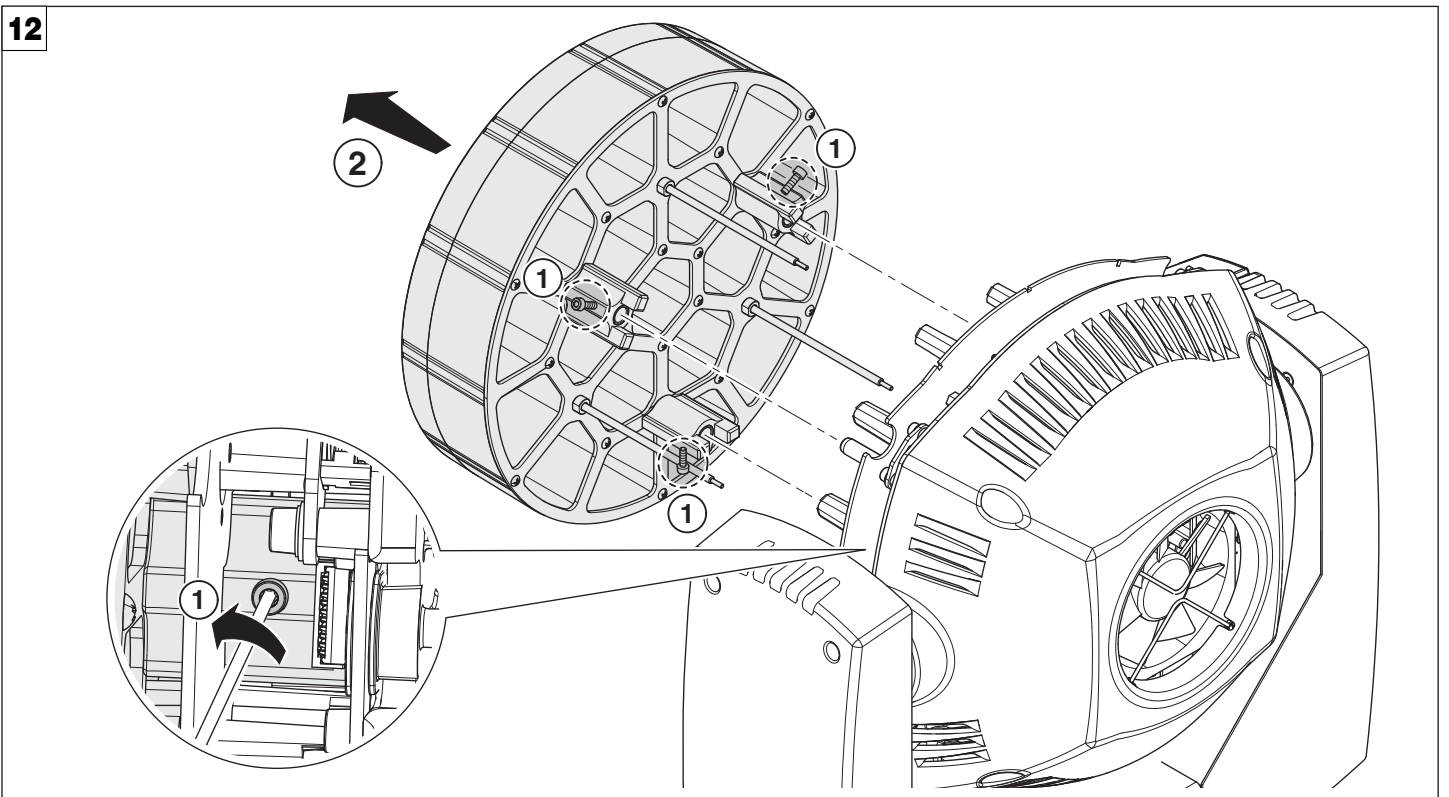


This product contains a rechargeable lithium iron tetraphosphate battery. To preserve the environment, please dispose the battery at the end of its life according to the regulation in force.

MAINTENANCE

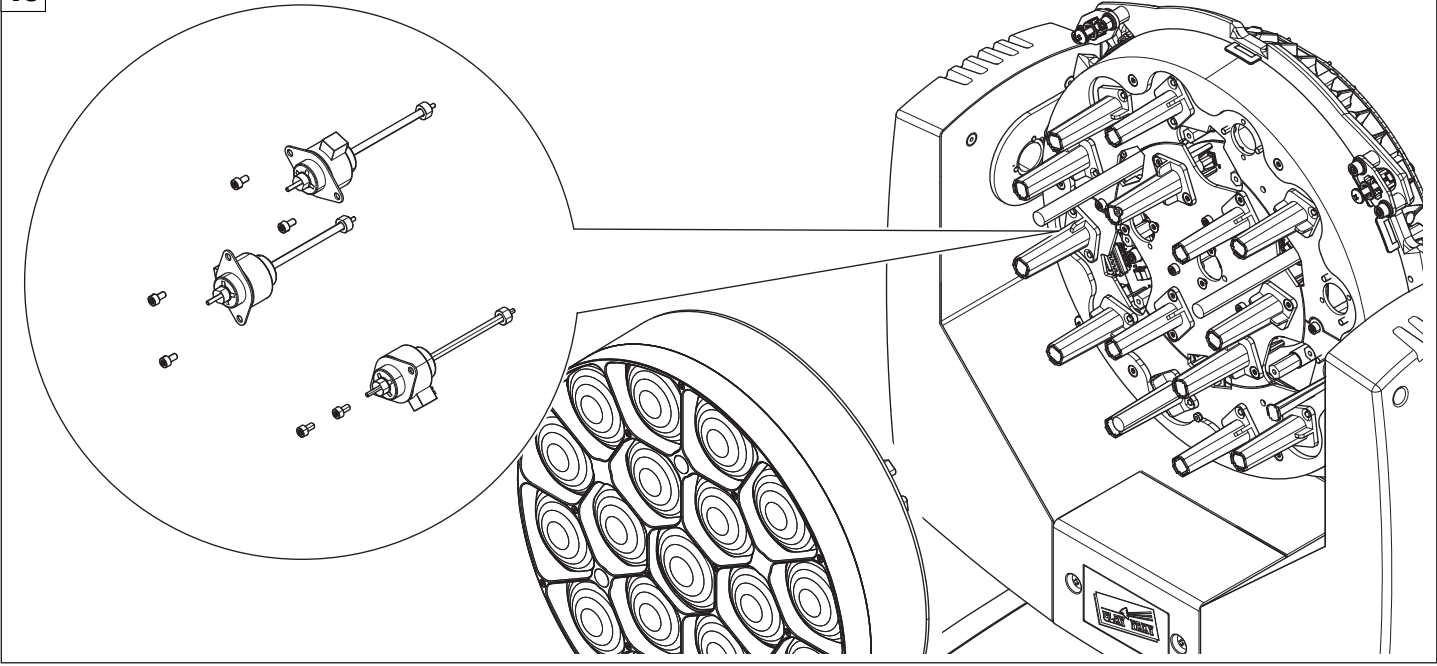


Opening the covers - Fig. 11



Removing/Assembling the lens unit - Fig. 12

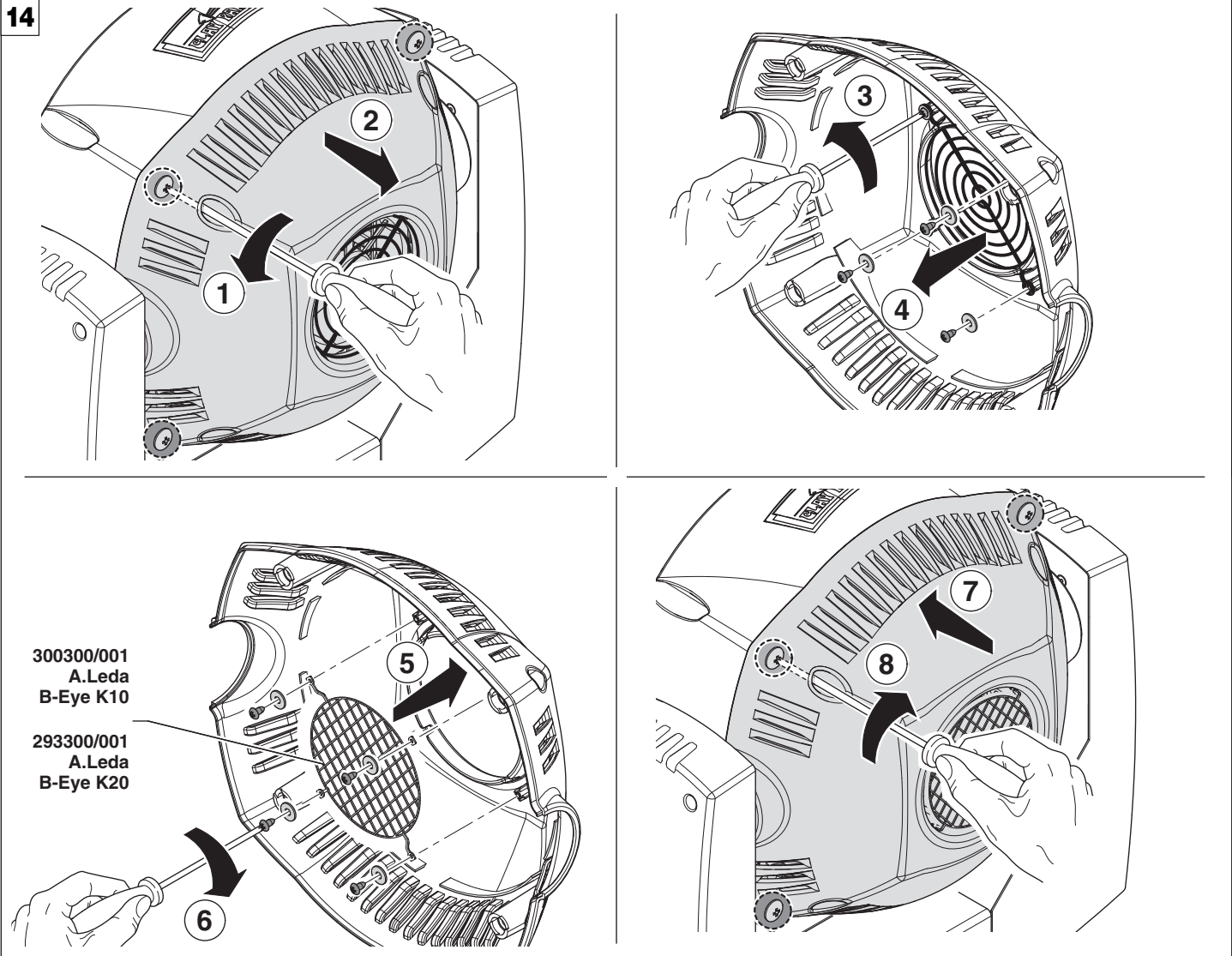
13



Replacing the line actuator - Fig. 13

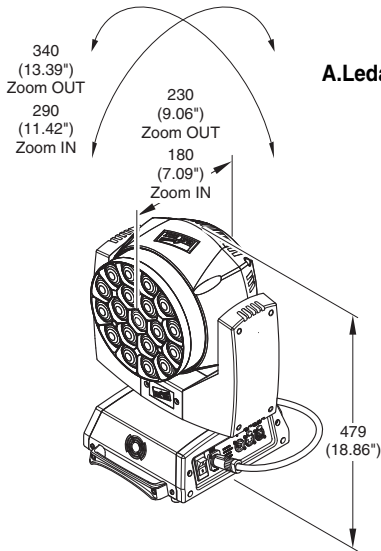
ACCESSORIES

14

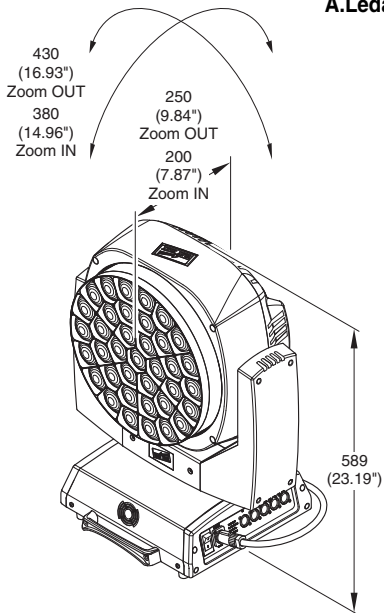
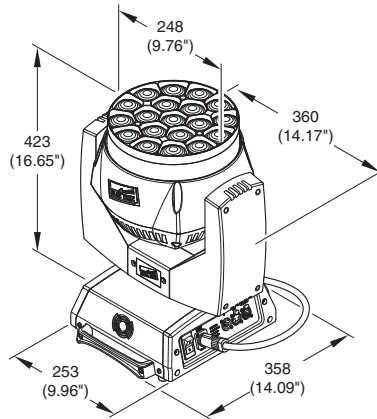


To minimize the penetration of solid bodies inside the fixture, it is available as an accessory, a grid with a mesh size small - Fig. 14

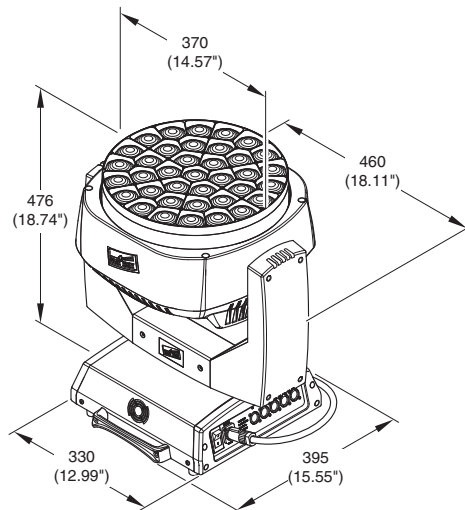
TECHNICAL INFORMATION



A.Leda B-EYE K10 CC



A.Leda B-EYE K20 CC



Power supplies available
100-240V 50/60Hz

Input power
• K10 CC - 350VA
• K20 CC - 550VA

LED source
Osram Ostar RGBW - 15W LED
Average LED life: 50.000 h

Motors
5 (k10), 6 (k20) stepper motors, operating with microsteps, totally microprocessor controlled.

Cooling
• High efficiency die-cast aluminium
• Forced ventilation

Inputs
DMX 512

Working position
Working in any position.

Moving head

- Movement by means of two stepper motors, controlled by microprocessor.
- Automatic repositioning of PAN and TILT after accidental movement not controlled by control unit.
- Angle:
 - PAN = 540°
 - TILT = 210°

IP20 protection rating

- Protected against the entry of solid bodies larger than 12mm (0.47").
- No protection against the entry of liquids.

Weights

- B-EYE K10 CC: 14.5 kg (31.14 lbs)
- B-EYE K20 CC: 21 kg (46.3 lbs)

CAUSE AND SOLUTION OF PROBLEMS

THE PROJECTOR WILL NOT SWITCH ON			PROBLEMS
ELECTRONICS NON-OPERATIONAL			
DEFECTIVE PROJECTION			
REDUCED LUMINOSITY			
POSSIBLE CAUSES		CHECKS AND REMEDIES	
●		No mains supply.	Check the power supply voltage.
●	●	LED exhausted or defective.	Call an authorised technician.
	●	Signal transmission cable faulty or disconnected.	Replace the cables.
	●	Incorrect addressing.	Check addresses (see instructions).
	●	Fault in the electronic circuits.	Call an authorised technician.
	●	Lenses or reflector broken	Call an authorised technician.
	● ●	Dust or grease deposited.	Clean (see instructions).

CHANNEL FUNCTION

A.LEDA B-EYE K10 CC

A.LEDA B-EYE K20 CC

NB: To prevent accidental breakage of the effects, which could collide with each other during transport, before switching the projector OFF check that all the projector Channels have been excluded (DMX level @0 bit).

CHANNEL	CHANNEL MODE
1	Red
2	RedFine
3	Green
4	GreenFine
5	Blue
6	BlueFine
7	White
8	WhiteFine
9	CTO
10	Macro Colour
11	Strobe
12	Dimmer
13	Dimmer fine
14	Pan
15	Pan fine
16	Tilt
17	Tilt fine
18	Function
19	Reset
20	Zoom

NOTE: On conclusion of resetting in case of absence of DMX signal, Pan & Tilt move to the "Home" position (Pan 128 bit - Tilt 128 bit) all the others channels stay at 0 bit.

- (1 - 3 - 5 - 7)
RED - GREEN - BLUE - WHITE

K10 CC
K20 CC



BIT	EFFECT
255	LED ON
0	LED OFF

- (2 - 4 - 6 - 8)
RED FINE - GREEN FINE - BLUE FINE - WHITE FINE

K10 CC
K20 CC



BIT	EFFECT
255	UP
0	LOW

- (9)
LINEAR CTO

K10 CC
K20 CC

BIT	EFFECT
255	2500 K
...	...
224	3200 K
...	...
188	4000 K
...	...
144	5000 K
...	...
117	5600 K
...	...
99	6000 K
...	...
54	7000 K
...	...
10	8000 K
0-9	UNUSED RANGE

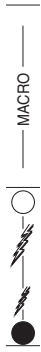
- (10)
MACRO COLOUR

K10 CC
K20 CC

BIT	LEE REFERENCE	COLOUR	BIT VALUE			
			R	G	B	W
209-255	-	White	255	235	66	255
208	-	Dirty White	255	255	122	255
207	197	Alice Blue	128	255	143	0
191-206	181	Congo Blue	76	0	255	0
184-190	174	Dark Steel Blue	158	247	89	0
180-183	170	Deep lavender	232	165	58	0
179	169	Lilac Tint	246	208	45	0
175-178	165	Daylight Blue	75	218	90	0
174	164	Flame Red	211	27	2	0
172-173	162	Bastard Amber	227	176	23	0
168-171	158	Deep Orange	227	86	1	0
162-167	152	Pale Gold	255	189	24	0
157-161	147	Apricot	231	142	11	0
151-156	141	Bright Blue	0	243	79	0
149-150	139	Primary Green	59	229	1	0
147-148	137	Special lavender	199	197	74	0
146	136	Pale Lavender	225	196	54	0
145	135	Deep Golden Amber	255	48	1	0
142-144	132	Medium Blue	0	239	135	0
138-141	128	Bright Pink	239	40	31	0
136-137	126	Mauve	213	28	50	0
134-135	124	Dark Green	67	237	10	2
131-133	121	Leaf Green	171	232	1	0
129-130	119	Dark Blue	0	194	253	0
128	118	Light Blue	62	255	76	0
127	117	Steel Blue	185	255	48	0
126	116	Med Blu Green	185	255	48	0
125	115	Peacock Blue	39	249	43	0
123-124	113	Magenta	158	6	8	0
121-122	111	Dark Pink	225	107	27	0
120	110	Middle Rose	209	132	24	0
119	109	Light Salmon	240	141	27	0
118	108	English Rose	220	140	18	0
117	107	Light Rose	251	152	28	0
115-116	105	Orange	255	131	1	0
114	104	Deep Amber	243	172	1	0
113	103	Straw	216	158	0	80
112	102	Light Amber	210	158	1	0
110-111	100	Spring Yellow	220	199	1	0
100-109	90	Dark yellow green	35	225	1	0
89-99	79	Just Blue	0	190	129	0
78-88	68	Sky Blue	0	251	133	0
68-77	58	Lavender	220	117	146	199
62-67	52	Light Lavender	237	125	39	203
49-61	39	Pink Carnation	232	95	0	146
46-48	36	Medium Pink	255	79	0	130
45	35	Light Pink	228	102	0	156
35-44	25	Sunrise Red	249	83	2	0
32-34	22	Dark Amber	255	59	1	0
31	21	Gold Amber	214	90	1	0
30	20	Medium Amber	213	125	1	0
29	19	Fire	241	42	1	0
27-28	17	Surprise Peach	201	119	8	0
23-26	13	Straw Tint	197	149	10	0
20-22	10	Medium Yellow	177	148	1	0
19	-	Black	0	0	0	0
18	-	White 5000 K	251	137	0	229
17	-	White 3700 K	255	201	25	255
16	-	White 7000 K	175	227	59	255
15	-	Magenta	255	0	255	0
14	-	Yellow	226	255	1	0
13	-	Cyan	0	255	245	0
12	-	Blue	0	0	255	0
11	-	Green	0	255	0	0
10	-	Red	255	0	0	0
0-9	-	Macro color OFF	-	-	-	-

• (11)
STROBE

K10 CC
K20 CC



BIT	EFFECT
252 - 255	LED ON
239 - 251	RANDOM FAST STROBE
226 - 238	RANDOM MEDIUM STROBE
213 - 225	RANDOM SLOW STROBE
208 - 212	LED ON
207	FAST PULSATION (25 flash/sec)
108	SLOW PULSATION (0,5 flash/sec)
104 - 107	LED ON
103	FAST STROBE (25 flash/sec)
4	SLOW STROBE (1 flash/sec)
0 - 3	LED OFF

• (12)
DIMMER

K10 CC
K20 CC



BIT	EFFECT
255	LED ON
0	LED OFF

• (13)
DIMMER FINE

K10 CC
K20 CC

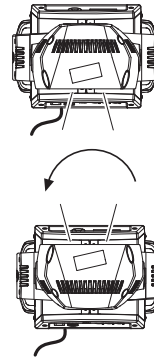


BIT	EFFECT
255	UP
0	LOW

• (14)
PAN

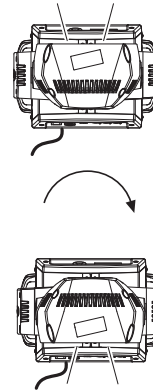
Operation with option InvertPan \diamond Off

K10 CC
K20 CC



BIT
255
0

Operation with option InvertPan \diamond On

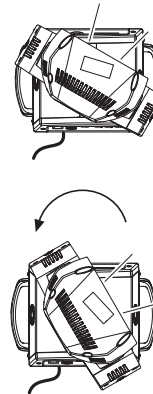


BIT
255
0

• (15)
PAN FINE

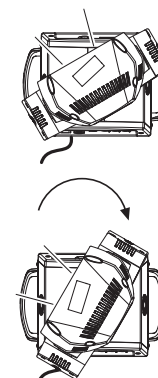
Operation with option InvertPan \diamond Off

K10 CC
K20 CC



BIT
255
0

Operation with option InvertPan \diamond On



BIT
255
0

- (16)
TILT
Operation with option *InvertTilt* \diamond Off

K10 CC
K20 CC



BIT
255
0

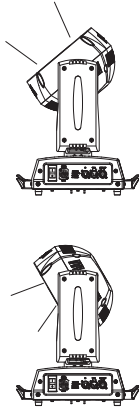
- Operation with option *InvertTilt* \diamond On



BIT
255
0

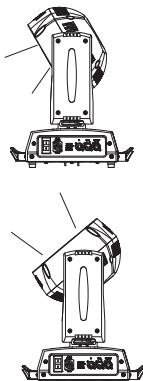
- (17)
TILT FINE
Operation with option *InvertTilt* \diamond Off

K10 CC
K20 CC



BIT
255
0

- Operation with option *InvertTilt* \diamond On



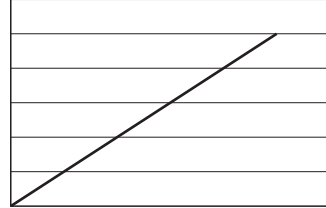
BIT
255
0

- (18)
FUNCTION
K10 CC
K20 CC

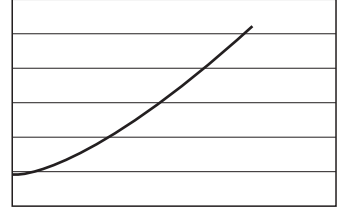
BIT	EFFECT
251 – 255	Reset to default
103 – 250	Unused Range
98 – 102	Halogen Lamp Simulation, type 5 (2500 W)
93 – 97	Halogen Lamp Simulation, type 4 (2000 W)
88 – 92	Halogen Lamp Simulation, type 3 (1200 W)
83 – 87	Halogen Lamp Simulation, type 2 (1000 W)
78 – 82	Halogen Lamp Simulation, type 1 (750W)
73 – 77	Halogen Lamp Simulation OFF (Default)
68 – 72	RGBW Gamma curve 3 – gamma = 2.0
63 – 67	RGBW Gamma curve 2 – gamma = 1.5 (Default)
58 – 62	RGBW Gamma curve 1 – gamma = 1.0
53 – 57	Dimmer Curve 4
48 – 52	Dimmer Curve 3
43 – 47	Dimmer Curve 2
38 – 42	Dimmer Curve 1 (Default)
25 – 37	Pan Tilt Normal
12 – 24	Pan Tilt Fast (Default)
0 – 11	Function off

The functions are activated passing through the “unused range” and staying 5 seconds in necessary level. Last selected function still active. Enable setting a new function.

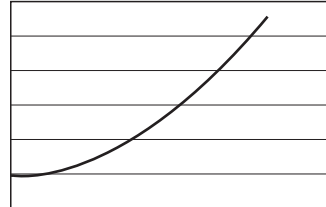
DIMMER CURVE 1 - GAMMA 1 LINEAR



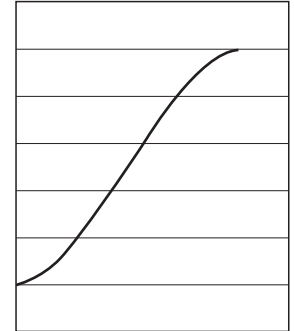
DIMMER CURVE 2 - GAMMA 1,5



DIMMER CURVE 3 - GAMMA 2,0



DIMMER CURVE 4 - S



- (19)
RESET

K10 CC
K20 CC

BIT	EFFECT
255	COMPLETE RESET
	Complete reset is activated passing through the unused range and staying 5 seconds in complete reset levels
128	COMPLETE RESET
127	PAN / TILT RESET
	Pan / Tilt reset is activated passing through the unused range and staying 5 seconds in Pan / Tilt reset levels
77	PAN / TILT RESET
76	ZOOM RESET
	Effects reset is activated passing through the unused range and staying 5 seconds in Effects reset levels.
26	ZOOM RESET
25	
0	UNUSED RANGE

The functions are activated passing through the “unused range” and staying 5 seconds in necessary level. Last selected function still active. Enable setting a new function.

- (20)
ZOOM

K10 CC
K20 CC



BIT	EFFECT
255	WIDE BEAM
0	NARROW BEAM