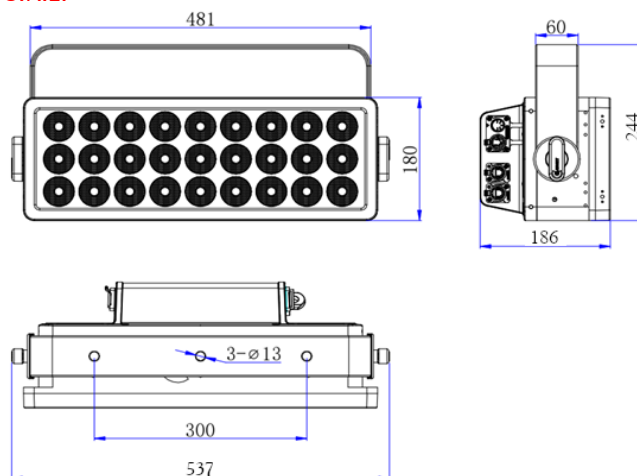


MODEL: TAMBORA RAYS  
 CODE: CL2025

October 3, 2024

**WARNING: THE INFORMATION IN THIS DOCUMENT IS SUBJECT TO CHANGE WITHOUT NOTICE AND SHOULD NOT BE CONSTRUED AS A COMMITMENT BY CLAY PAKY S.R.L.**



#### LIGHT SOURCE:

**Source type:** 27 LEDs RGBWW x 40W  
**Power:** 815 W  
**Color temp.:** 3103 K  
**CRI:** Up to 77  
**LED life expectancy:** 50.000 Hrs L70\*  
*\* It may vary depending on various factors, such as the type of use and environment*

#### PHOTOMETRIC DATA:

**Aperture:** 7°  
**Lm output:** 19000 Lm (integrating sphere)

#### CONTROL & CONNECTIONS:

**Protocols:** DMX, Art-Net, sACN, RDM, Webserver  
**Connectors:** Locking 5 pin XLR IN/OUT, RJ45 IN/OUT  
**Power con.:** PowerCon True1 IN/OUT  
**Web server:** Built-in  
**CloudIO:** Fully compatible

#### DYNAMIC EFFECTS:

**Colors:** Advanced layers management (color, internal shape, pixel mapping (3 x 9)); individual control of 27 LEDs; pre-programmed shape selection of static and dynamic patterns  
**Strobe:** Electronic strobe from 1 to 30 f/sec  
**Dimmer/Shutter:** High speed electronic dimmer – 16 Bit; High speed electronic shutter and strobe

#### HARDWARE & SOFTWARE:

Display graphic LCD backlit B/W display; firmware upload from another fixture, firmware upgrade via Web Server; diagnostic; DMX monitoring; remote access through RDM

#### HOUSING:

Magnesium housing; one handle for transportation; IP66 protection rate; working in any position; hanging system with fast-lock Omega clamps (1/4) on the base

#### ELECTRICAL:

**Operating voltage:** 100 – 120 / 200 – 240 V, 50 / 60 Hz  
**MAX power consumption:** 850 W

#### THERMAL SPECIFICATIONS:

---

<b>MAX ambient temperature:</b>	45 °C (113 °F)
<b>Min ambient temperature:</b>	-20 °C (-4 °F)

#### WEIGHT & SIZES:

---

<b>Weight:</b>	10,3 Kg (22,7 lbs)
<b>Dim.s without handle:</b>	497 x 180 x 186 mm (19,56 x 7,08 x 7,32 In)
<b>Dim.s with handle:</b>	537 x 180 x 244 mm (21,14 x 7,08 x 9,60 In)

DRAFT