

## 4" Two Way Wall Mount Speaker (20W) WSP-420W

### Feature:

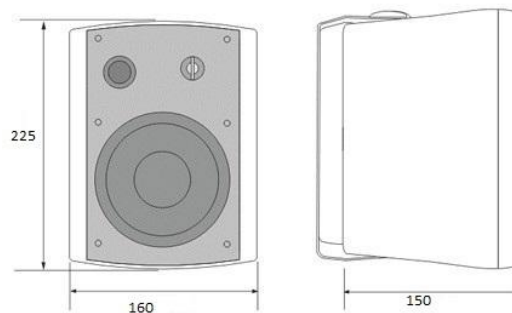
- ✓ Commercial PA system wall mount speaker with transformer
- ✓ Ideal for school, office, hotel and airport background music system
- ✓ Economy rang fashion wall mount cabinet loudspeaker
- ✓ Rated power output 20W at 100V
- ✓ 4" woofer and 1.5" tweeter two way speaker units
- ✓ Line input 100V or 70V
- ✓ ABS enclosure, metal grille in black
- ✓ Quick installation by supplied stainless mounting bracket



### Specification:

<b>Model</b>	WSP-420W
<b>Description</b>	Wall Mount Speaker
<b>Rated Power Output</b>	20W
<b>Line Input</b>	100V or 70V
<b>Frequency Response</b>	100-20KHz
<b>SPL(@1W/m)</b>	90dB
<b>Speaker Unit</b>	4" woofer and 1.5" tweeter two way speaker units
<b>Dimension</b>	160(W)×150(D)×225(H)mm
<b>Material</b>	ABS enclosure and metal grille in White
<b>Mounting Way</b>	Quick installation by supplied stainless mounting bracket
<b>Net Weight</b>	2.2kg

### Side View & Dimensions:



### Frequency Response VS SPL:

