



USER MANUAL

LED Digital Panel Light

RECTANGLE WW(N)



CONTENT

1、 TECHNICAL PARAMETER...	ОШИБКА! ЗАКЛАДКА НЕ ОПРЕДЕЛЕНА.
2、 INTENSITY OF ILLUMINATION	ОШИБКА! ЗАКЛАДКА НЕ ОПРЕДЕЛЕНА.
3、 SAFETY WARM	ОШИБКА! ЗАКЛАДКА НЕ ОПРЕДЕЛЕНА.
4、 INSTALLATION	ОШИБКА! ЗАКЛАДКА НЕ ОПРЕДЕЛЕНА.
5、 POWER AND CONTROL SIGNAL CONNECTION	5
6、 OPERATION METHOD	6
6.1 PRESS KEY OPERATION	6
6.2 MENU	7
6.3 STATIC SETTINGS - STAT.....	7
6.4 DMX512 ADDRESS CODE SET - ADDR	8
6.5 DMX512 CHANNEL MODE CHOOSE - PERS	8
6.6 SELECTION OF MASTER-SLAVE MODE - RUN.....	8
6.7 LIGHT FIXTURE SET - SET.....	8
6.8 SYSTEM VERSION.....	9
7、 DMX512 CHANNELS CONTROL MODE	9
8、 CONFIGURATION INSTRUCTIONS	11

1、 Technical Parameter

1.1 Electrical Parameter

Input Voltage:220V AC 60HZ

Consumption:280W

Control Mode:DMX512

Control Channel:5/8 CH

DMX Input signal: XLR 3- Pin (In & Out)

1.2 Optical parameter

Light source:0.5W LED 576pcs

CCT:3200K~5600K adjustable

CRI:≥96

Dimming:0~100%

Beam angle:120°

1.3 Mechanical and physical parameters

Housing material:Aluminium

IP rank:IP20

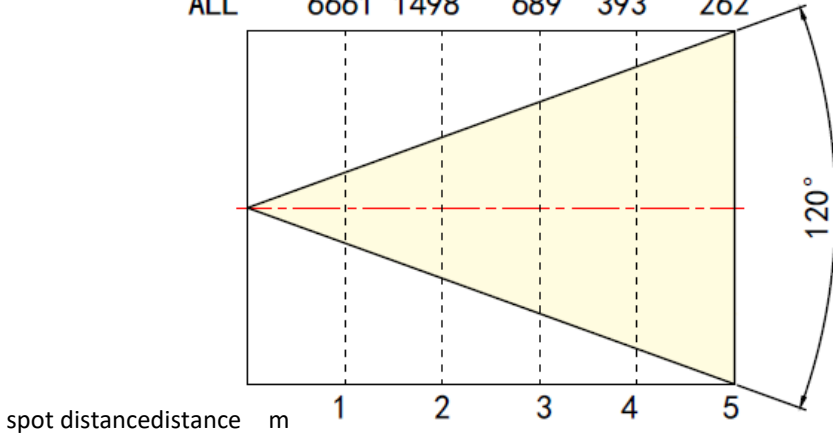
Working Temperature:-20~40°C

Net Weight:10KG

Size:543*321*119mm

2、 Intensity of Illumination

Illuminatio	(lux)				
3200K	3127	700	320	186	123
5600K	3475	805	365	213	141
ALL	6661	1498	689	393	262



3、 Safety Warm

Notice:

- Professional person required to install and maintain this fixture
- Strict inspection is done before the fixture finished
- User's has to obey the safety and notice guide.
- Supplier won't afford the accidents and losses that don't operate the fixture according to the operation guide and rigger it without permission

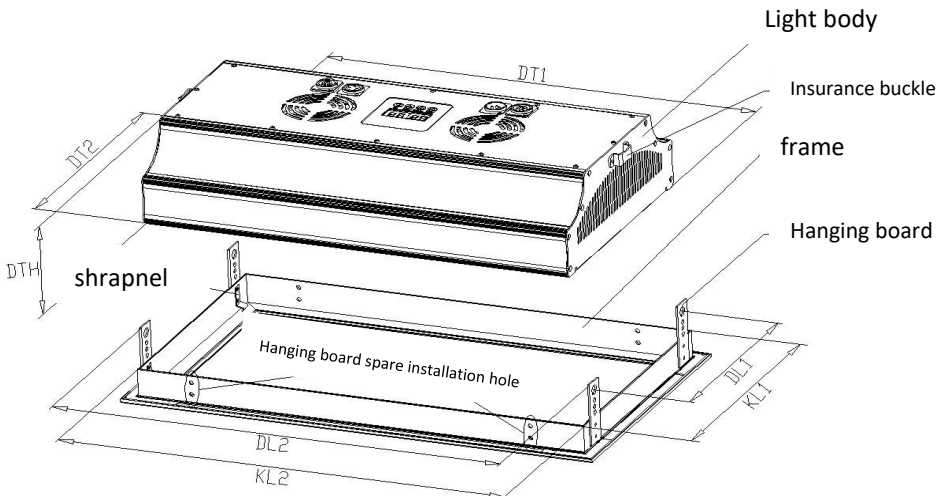
Important Notice:

- Make sure the power supply within the standard data range.
- The fixture's DMX512 connection line can't connect to any other fixtures.
- Make sure the fixture is appropriately earthed before use this fixture safely.

- To make sure the safety and operation, Yellow-green wire is earthed line, please select the quality qualified power socket or cut off the plugs connect switch directly.
- To avoid the hard collision when installation, use and move the fixture.
- Before light powered, lighting fixtures must be perpendicular to the surface downwards, drops below the lamp body must be no other obstacles.
- The fixture will occur flash when the lamp lighting ,It is a normal phenomenon reset does not affect the normal operation of lamps and Use

4、 Installation

Diagram (1)



4.1 Installation Method

There are two installations ways for customers to install as their own actual situation.

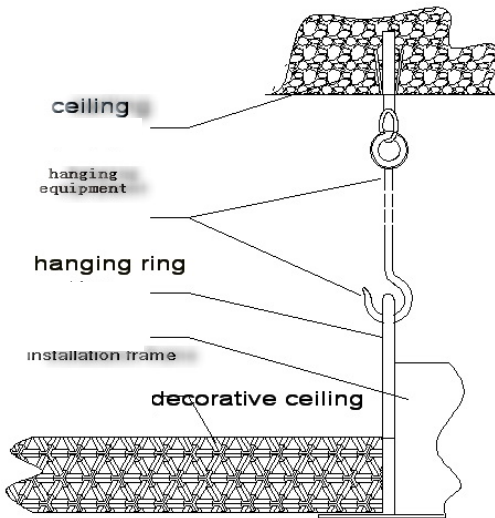
- Method 1

Hanging mounting frame, embedded placed lamp body

① First referring to decorate the ceiling opening size, Openings in the decoration ceiling.

② On the corners of the frame with four hang rings, for hang installation used. Picture 9 just for references. Specific installation by the customer's own choice of methods and materials hanging, first make sure the ring size mounting frame hanging on the ceiling / roof (Refer chart2) install hanging equipment, selection of reference materials: iron wire、 rope、 sub-chains、 screw hooks.

③ The address code of lights set into the body within the framework of the installation.



Picture 9

- Method 2

Fixed install light body on joist frame rack with screws by embedded method

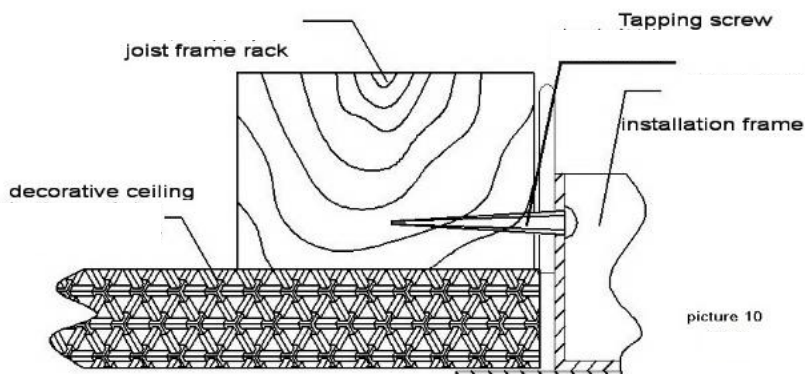
① joist frame rack must be strong enough to withstand 10 times of the light weight, also easy to install.

Refer chart 10 installation method.

② Refer chart 2 decorative ceiling opening size, Openings in the ceiling decoration.

③ There is 3pcs $\phi 4.5$ hole on the 4 side of installation frame, use M4 \times 35 Self-tapping screws fix the installation frame on ceiling by this hole.

④ The address code of lights set into the body within the framework of the installation.



5、 Power and Control Signal Connection

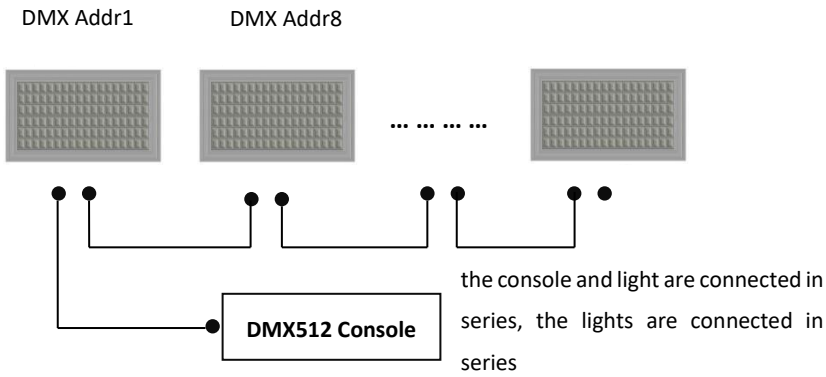
5.1 Connection of Power

- This product uses the input and output power cord to be 2.5 square millimeter copper core cable. When the power cord is connected in series, it cannot exceed 10 lights when using 220V AC power supply. It cannot exceed 5 lights when using 110V AC power supply.

- Use this product DMX512 signal input and output connector. Do not exceed 20 lamps. The signal line between the DMX console and the light or lamp and the lamp is more than 50 meters long. The first -level signal amplifier must be added.

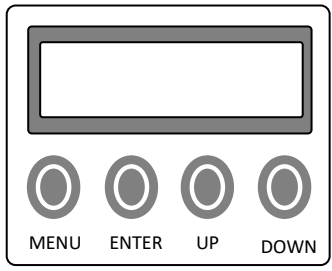
5.2 Connect DMX512 console settings

- ◇ Candidate the signal line of the DMX512 console and the lamp body.
- ◇ Since the Stega Mode is an 8 -channel instruction, the address code of the lamp is increased by 8 (such as: 1, 9, 17, 25 ...).
- ◇ DMX512 address code can be reused as needed.
- ◇ DMX512 address code can be any value between 001 and 512.



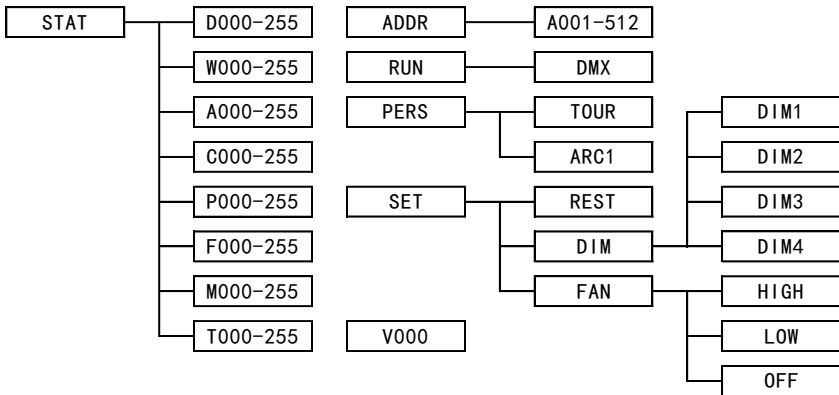
6、 Operation method

6.1 Press key operation

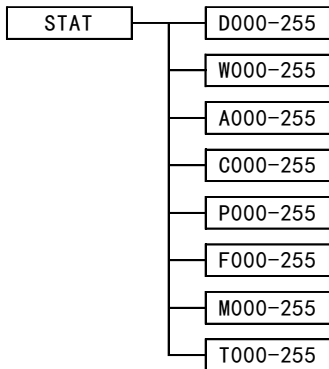


- ENTER : enter the next layer function menu, and save or confirmation, Functional data set value.
- UP : selection menu, to data on the regulation of circulation value
- DOWN : select sub-menu, down regulation of circulation data values;
- MENU : return to the previous menu.

6.2 Menu

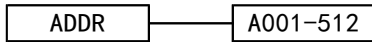


6.3 Static settings-- STAT



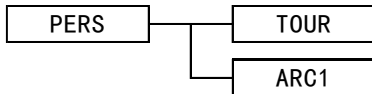
- ◇ Press [ENTER] at the [STAT] menu to enter the static operation settings;
- ◇ Press [UP]/[Down] Key loop selecting [D000-255], cold white [W000-255], warm white [A000-255], color temperature [C000-255], rotation [P000-255] (This model is invalid), fan [F000-255], dimming speed [m000-255], system reset [T000-255], press [ENTER] to enter the editing status, press [up]/[down] to adjust and set data Items
- ◇ Press the [menu] key and return to the main menu.

6.4 DMX512 address code set-ADDR



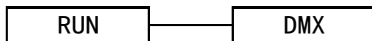
- ◇ Press the [ENTER] key under the [addr] menu for dmX512 address code setting operation;
- ◇ Press [UP]/[DOWN] key to set the DMX address code between [001-512];
- ◇ Press the [menu] key and return to the main menu.

6.5 DMX512 channel mode choose- PERS



- ◇ Press the [ENTER] key under the [PERS] menu to set the channel mode;
- ◇ Press the [up]/[double] key to switch between the two modes of [Tour] and [ARC1];
- ◇ Press the [menu] key and return to the main menu.

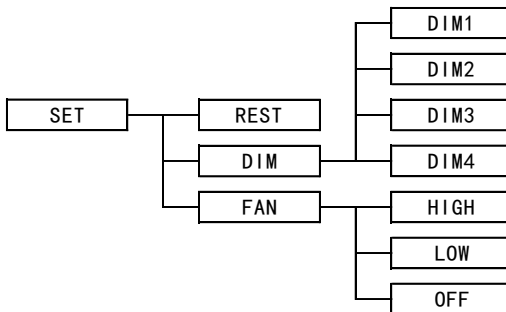
6.6 Selection of master-slave mode-RUN



◇ Press the [ENTER] key at the [Run] menu to enter the DMX run mode to select the settings;

◇ Press the [menu] key and return to the main menu.

6.7 Light fixture set-SET



- ◇ Press the [ENTER] key at the [set] menu to enter the lamp setting operation;
- ◇ Press [UP]/[DOWN] Key loop to select reset [REST] (this function is invalid), light adjustment speed [dim], fan [fan];
- ◇ Press the [ENTER] key to enter the [DIM] lighting speed setting, press [up]/[download] to select the dimming speed [DIM1-4];
- ◇ Press the [ENTER] key to enter the [FAN] fan speed settings, press [up]/[download] Select [OFF] to close the fan, [LOW] fan at low speed, [High] fan high speed;
- ◇ Press the [menu] key and return to the main menu.

6.8 SYSTEM VERSION

V000

- ◇ Show the system version of the product.

7、DMX512 Channels Control Mode

7.1 ARC1 mode

Channel no	Channel Value	Command Function
1	0-255	Brightness 0~100%
2	0-255	Warm white Brightness0~100%
3	0-255	Cool white brightness 0~100%
4	0-5	No function
	6-255	CCT adjustable (3200~5600K)
5	0-255	No function

7.2 TOUR Mode

Channel no	Channel Value	Command Function
1	0-255	Brightness 0~100%
2	0-255	Warm white Brightness0~100%
3	0-255	Cool white brightness 0~100%
4	0-5	No function
	6-255	CCT adjustable (3200~5600K)

5	0-255	No function
6	0-5	Built -in fan speed
	6-99	Fan high -speed
	100-199	Fan low -speed
	200-255	Fan off
7	0~10	Built -in dim speed
	11~30	Level 4 speed adjustment, very soft
	31~70	Level 3 speed adjustment, very soft
	71~130	Level 2 speed adjustment, softer
	131~255	Level 1 speed adjustment, soft
8	0~200	No function
	201~220	Maintain 3 seconds system reset
	221~255	No function

8、 Configuration instructions

1pcs Power connection line

1pcs signal connection line

1pcs insurance rope

1pcs instructions

1 pcs warranty card

1 set of installation frames (dedicated to embedded)

1 part of the accessory package

European standard power line (optional)

U.S. Bid Power Line (optional)

