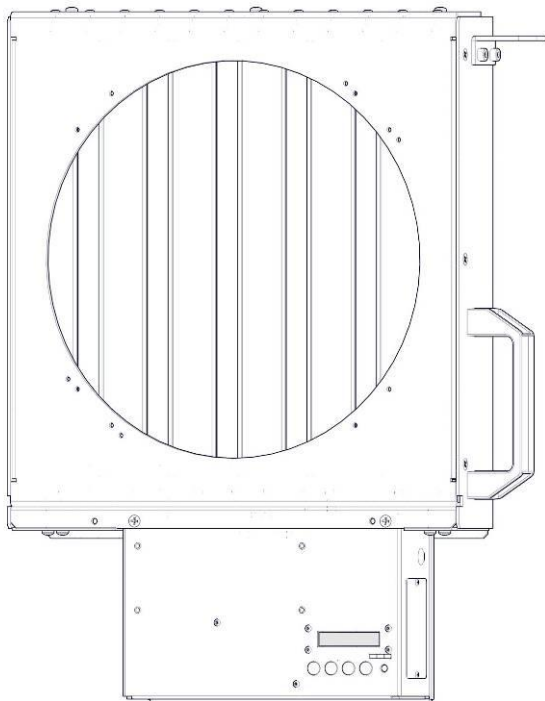


# JALOUSIE 2

SPECIALIST PRODUCTS



- JAL2 - Ø206 V4
- JAL2 - Ø280 V6
- JAL2 - Ø340 V6
- JAL2 - Ø404 V4

DMX-CONTROLLED MOTORISED SHUTTERS

Valid since: 17/11/11  
Software version: V2.06

DN40977200-A



**ROBERT JULIAT**

## Summary :

1	User's instructions .....	3
2	Presentation .....	4
2.1	JALOUSIE2 .....	4
2.2	Included accessories .....	4
2.3	Optional accessories .....	4
3	Installation .....	5
3.1	Mechanics .....	5
3.1.1	Adaptation kit .....	5
3.1.2	Operating position.....	6
3.1.3	Safety cable .....	6
3.1.4	Optional accessories holder .....	7
3.1.5	Optional local potentiometer .....	7
3.2	Electrical .....	8
3.2.1	Connections : .....	8
3.2.2	Power supply .....	8
3.2.3	DATA .....	8
4	Operation.....	9
4.1	Dimmer shutter .....	9
4.2	Control board .....	10
4.2.1	Controls.....	10
4.2.2	Display .....	10
4.2.3	Menus and parameters .....	11
4.2.4	LED feedback .....	13
4.2.5	RESET .....	13
4.3	DMX remote control.....	13
5	Servicing.....	14
5.1	Preventative maintenance .....	14
5.1.1	Frequency.....	14
5.1.2	General cleaning.....	14
5.1.3	General visual check .....	14
5.1.4	Wiring & Connections .....	14
5.2	Blades position adjustment .....	14
5.3	Software update .....	14
5.4	Analysis .....	14
5.5	Spare parts .....	15
6	Troubleshooting.....	15
7	Technical specifications .....	16

---

Robert Juliat reserve the right to change  
or alter any of the items detailed on this page,  
to increase or improve manufacturing techniques without prior notice.

---

# 1 User's instructions

## GENERAL INSTRUCTIONS

- 1 Not for residential use.
- 2 **These fixtures must only be serviced by a qualified technician.**
- 3 In addition to the instructions indicated on this page, relevant health and safety requirements of the appropriate EU Directives must be adhered to at all times.
- 4 This fixture is in compliance with section 17 - Lighting appliance for theatre stages, television, cinema and photograph studios. Standards NF EN 60598-1 and NF EN 60598-2-17.
- 5 This fixture is rated as IP20, and is for indoor use only.

## UNIT

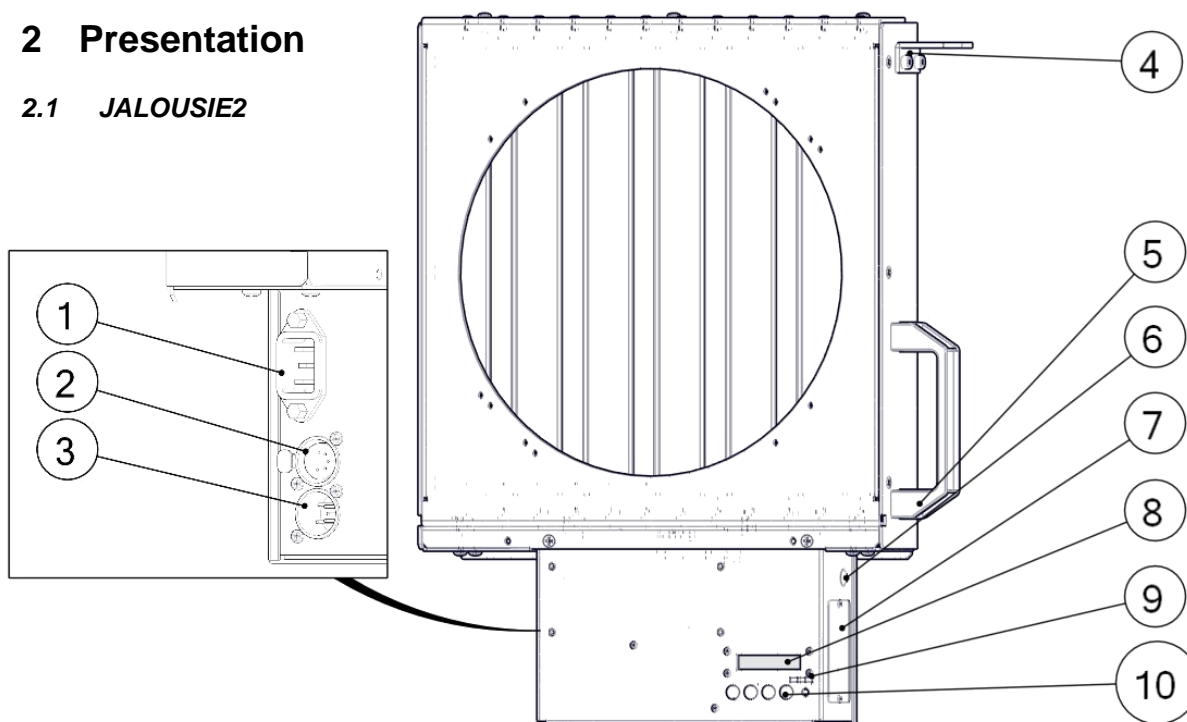
- 6 **Warning:** disconnect from mains supply before servicing.
- 7 Ensure fixture is correctly mounted on an appropriate support.
- 8 Unit must be secured by a safety cable of suitable length.
- 9 Safety bonds or cables must be securely attached to the unit and be as short as possible, or rolled up as necessary, to minimise travel distance should the unit be dislodged.
- 10 Movable accessories (barn doors, spill rings etc.) must also be secured with a suitable safety cable or bond at the front of the unit.
- 11 The combined weight of both the unit and the accessories must be considered when choosing the load-bearing capability of safety cable or bond.
- 12 **WARNING:** unit becomes hot during use. Allow fixture to cool before servicing.
- 13 Do not tamper with design of unit nor any of its safety features.
- 14 Tighten electrical mains cable connections regularly and replace with one of identical specification if damaged.
- 15 Do not connect to "electronic output" such as dimmer or static relay.
- 16 **Maximum surrounding temperature:**  $t^{\circ}_a = 40^{\circ}\text{C}$ .
- 17 Not for outdoor use. Do not cover. Do not permit fixture to get wet.
- 18 To avoid overheating, do not obstruct air vents.
- 19 Regularly remove dust.

### PLEASE NOTE :

These products have been built to conform to European standards relating to professional lighting equipment. Any modification made to our products will void the manufacturers' warranty.

## 2 Presentation

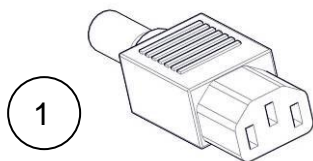
### 2.1 JALOUSIE2



#### Functions :

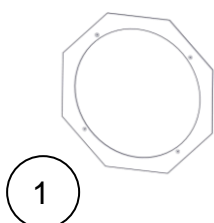
- |   |                                 |
|---|---------------------------------|
| 1. Power connection (IEC C14 connector) | 6. Optional local potentiometer |
| 2. DMX IN (XLR5 connector)              | 7. Identification plate         |
| 3. DMX OUT (XLR5 connector)             | 8. Setup display                |
| 4. Safety bond attachment point         | 9. LED feedback                 |
| 5. Handle                               | 10. Setup buttons               |

### 2.2 Included accessories



	Reference	Description
1	COU0003265	IEC C13 power connector

### 2.3 Optional accessories



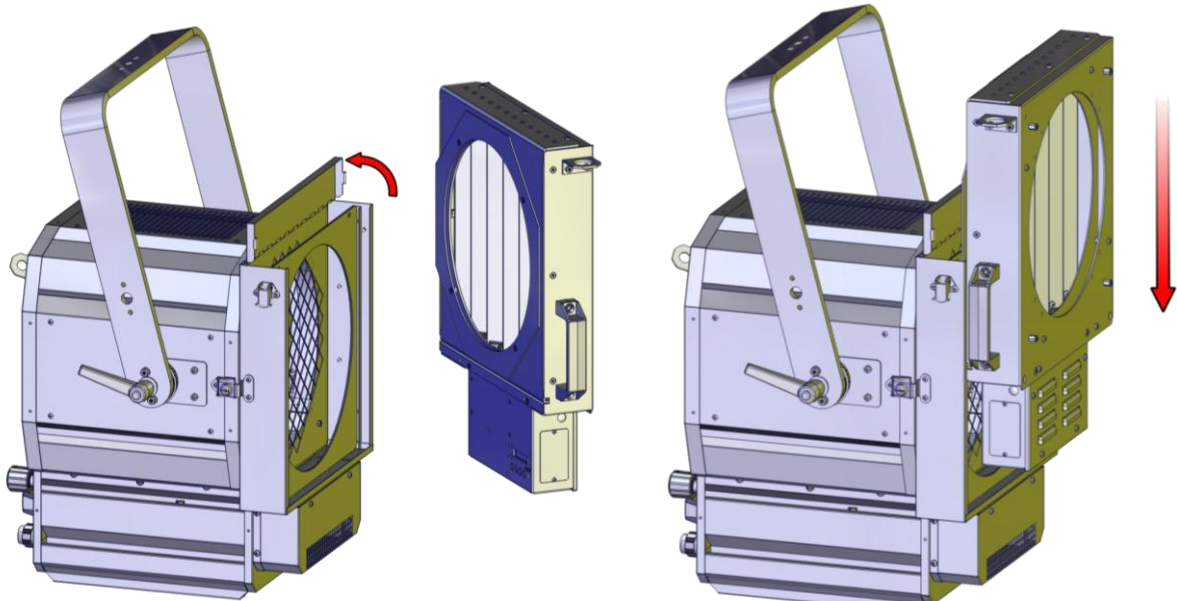
	Reference	Description
		Local potentiometer
1	PAOA270601	JAL2/Ø280 adaptation kit for Robert Juliat 312LF and 326LFV
	PAOA340902	JAL2/Ø340 adaptation kit for Robert Juliat 312LF and 326LFV
		Adaptations for other models: please contact your distributor

### 3 Installation

#### 3.1 Mechanics

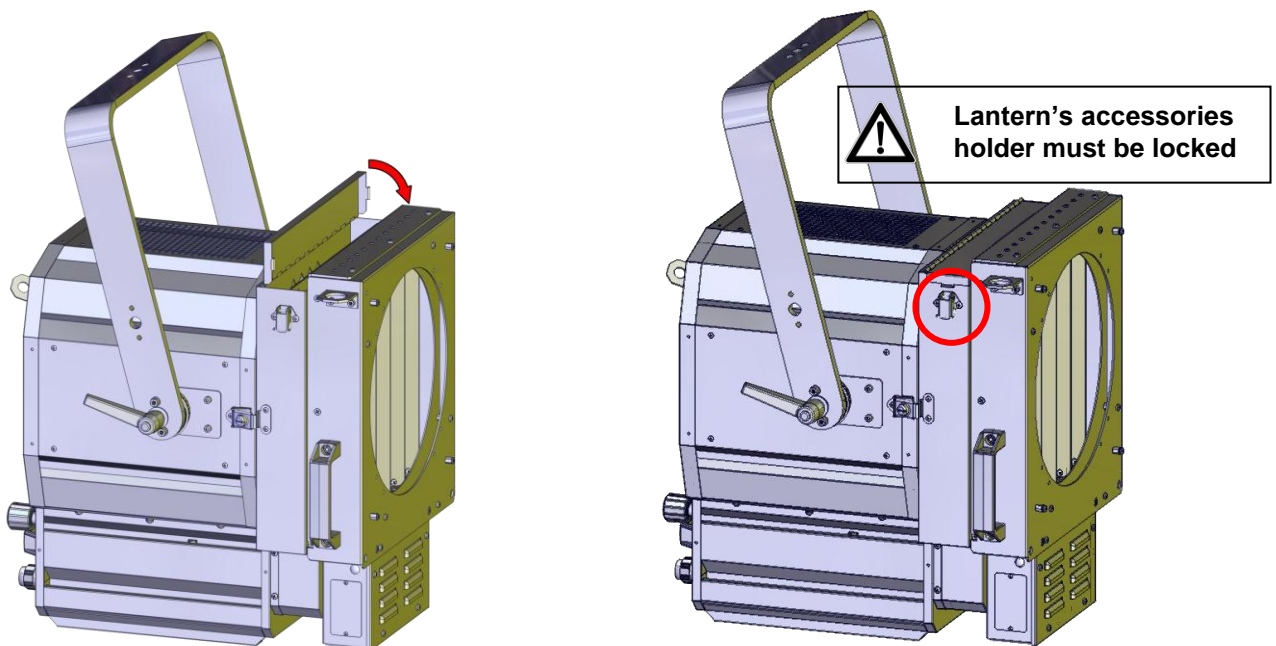
##### 3.1.1 Adaptation kit

- The use of an *adaptation kit* to use the JALOUSIE2 on Fresnel lanterns is necessary. The JALOUSIE2 can be delivered with the mounting plate fitted on the JALOUSIE2. Contact your distributor for compatibility on existing models.
- Please refer to the *adaptation kit* manual for installation.



Step 1

Step 2

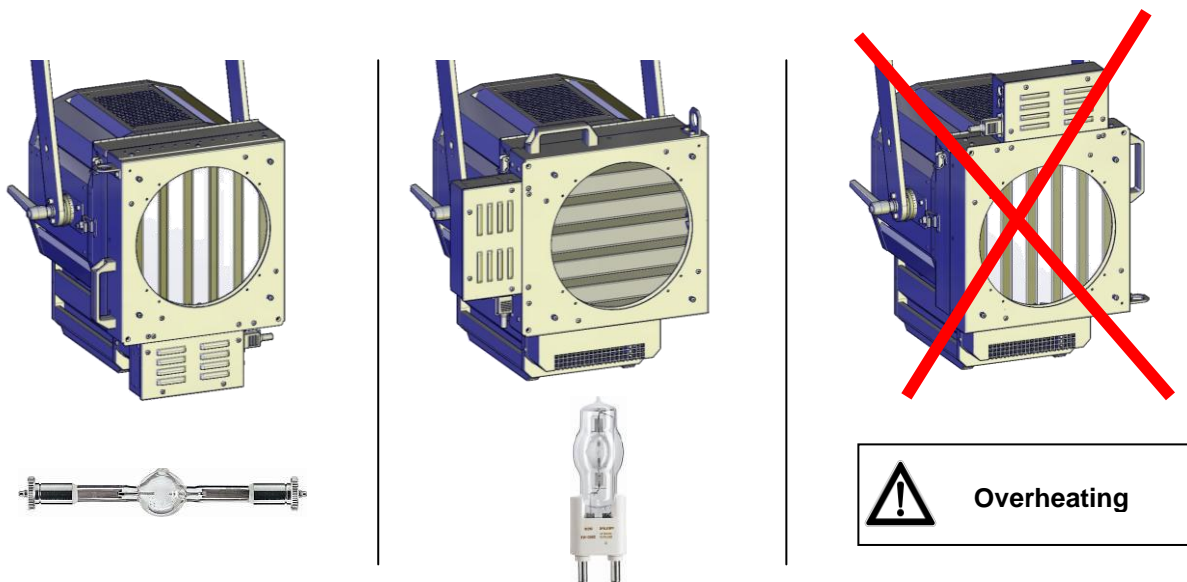


Step 3

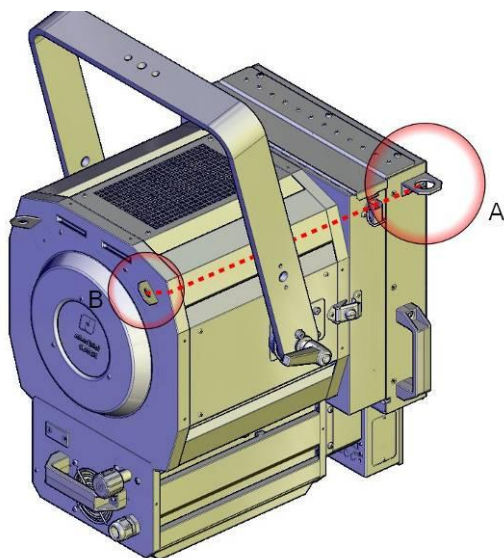
Step 4

### 3.1.2 Operating position

- For better results, JALOUSIE2 blades have to be perpendicular to the arc of the lamp:



### 3.1.3 Safety cable

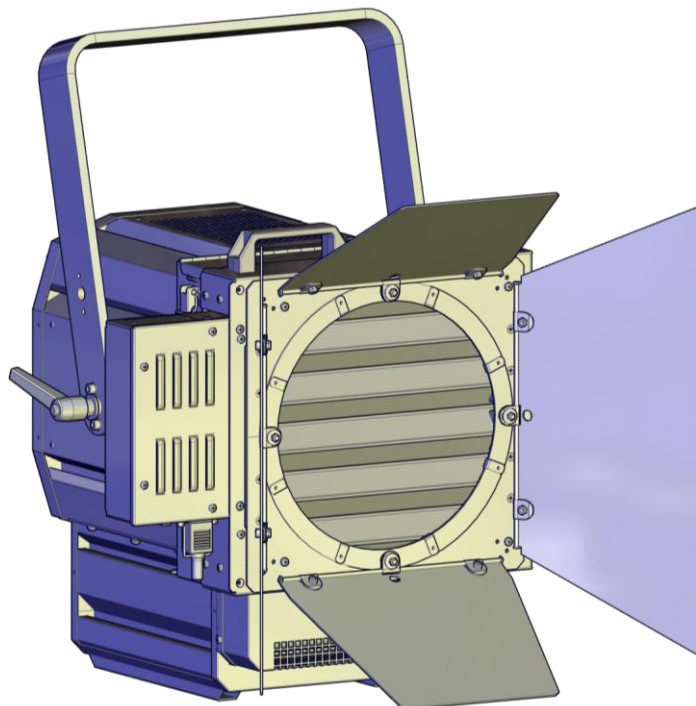


JALOUSIE2 must be secured with appropriate safety cable (not provided) from attachment point A to lantern's attachment point B.

### 3.1.4 *Optional accessories holder*

- JALOUSIE2 adaptation kit includes front accessories holder for barndoors, gel frame, scroller...
- JALOUSIE2 comes with a front accessory holder having the same specifications as the one on the luminaire\*.

*\*except for JAL2/Ø340 adaptation kit for Robert Juliat 312LF and 326LFV*

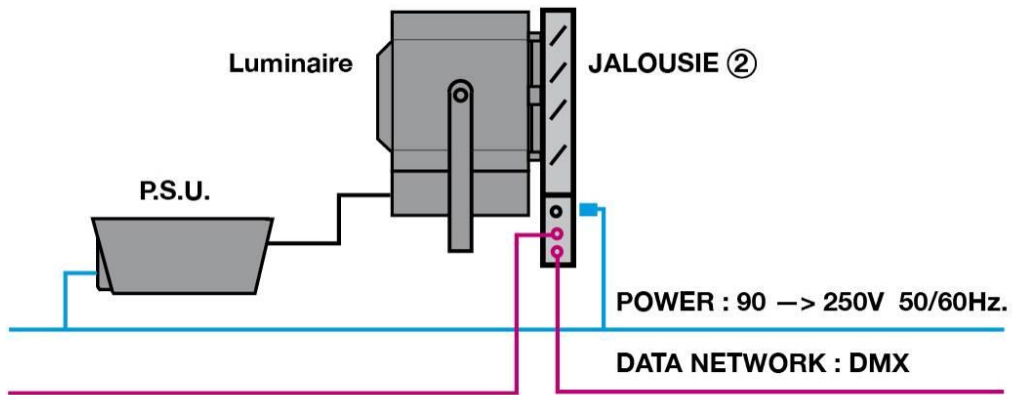


### 3.1.5 *Optional local potentiometer*

Contact your local RJ service centre.

### 3.2 Electrical

#### 3.2.1 Connections :

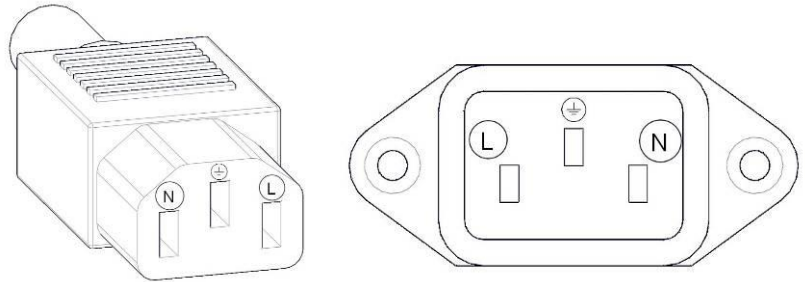


#### 3.2.2 Power supply

- JALOUSIE2 must be connected directly to AC power.
- **Do not connect JALOUSIE2 to dimmer.**
- Automatic power detection.
- Fuse: internal (PSU) – time-delay 3.15A.
- Recommended circuit breaker: 6A – C curve

Voltage	Frequency	Input power	Connectors	Recommended cable (not provided)
90 → 250 V	50/60 Hz	40 W	IEC C13/C14	H05 RRF 3G 0.75

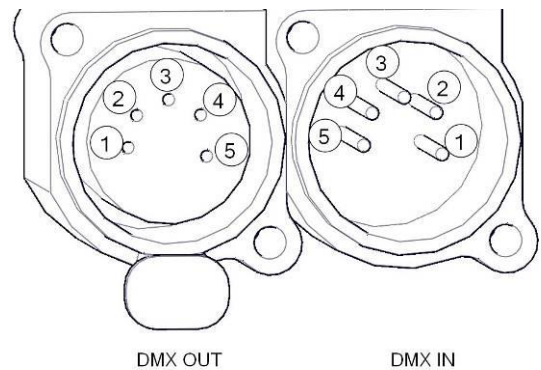
Symbol	PIN
L	live
N	neutral
⊕	Earth (ground)



#### 3.2.3 DATA

- Remote control uses USITT DMX 512-A protocol.
- Input and output connections are using XLR 5-pin connectors.

PIN #	DMX	Description
1		Foil & Braided Shield
2	DMX (-)	1 <sup>st</sup> conductor of 1 <sup>st</sup> twisted pair
3	DMX (+)	2 <sup>nd</sup> conductor of 1 <sup>st</sup> twisted pair
4		1 <sup>st</sup> conductor of 2 <sup>nd</sup> twisted pair
5		2 <sup>nd</sup> conductor of 2 <sup>nd</sup> twisted pair

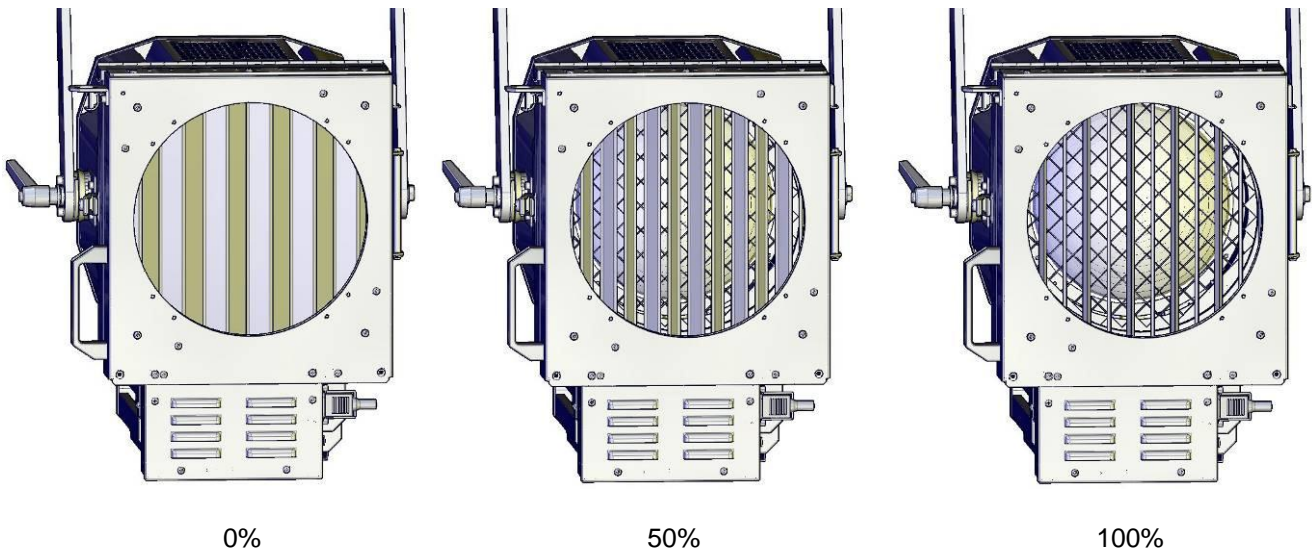




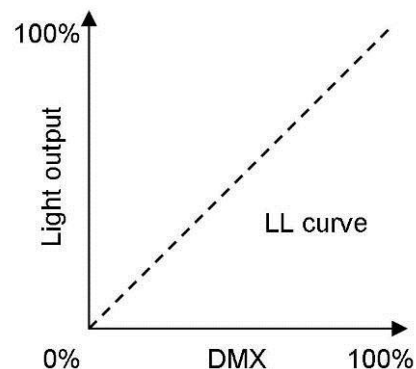
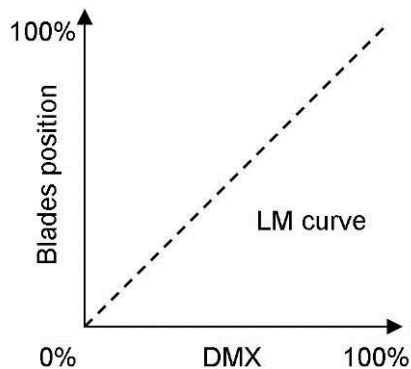
## 4 Operation

### 4.1 Dimmer shutter

- JALOUSIE2 enables to control the light intensity of discharge fresnel luminaires by a mechanical system. The rotating blades in front of the lighting unit stop an increasing amount of light coming from the lamp.
- When JALOUSIE2 is powered up, motor reset procedure is done.
- The position of the blade goes from 0% (blades closed – no light output) to 100% (blades open – maximum light output).



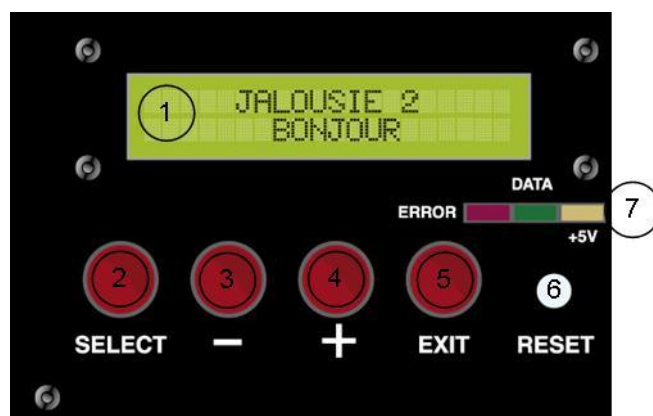
- Control of the aperture can be done locally through the display and optional potentiometer or remotely by using USITT DMX 512 protocol. Choice of LTP or HTP merger is possible in setup menu.
- Dimming curves can be selected in setup menu:
  - LM: Linear Motor
  - LL: Linear Light



Mounting a mechanical shutter on a spotlight will affect the apparent output of the luminaire so it is strongly recommended that all precautions be taken during the design of the light plot. ROBERT JULIAT shall not be responsible for reduced lighting levels and aperture that may result from the use of a JALOUSIE2 shutters.

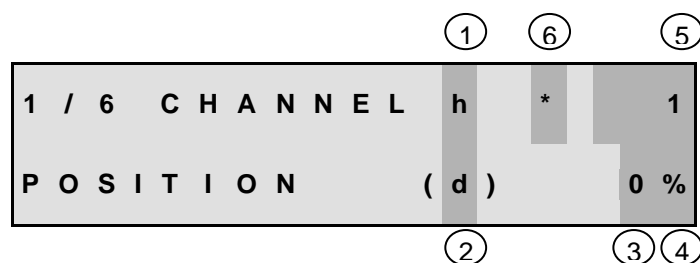
## 4.2 Control board

### 4.2.1 Controls



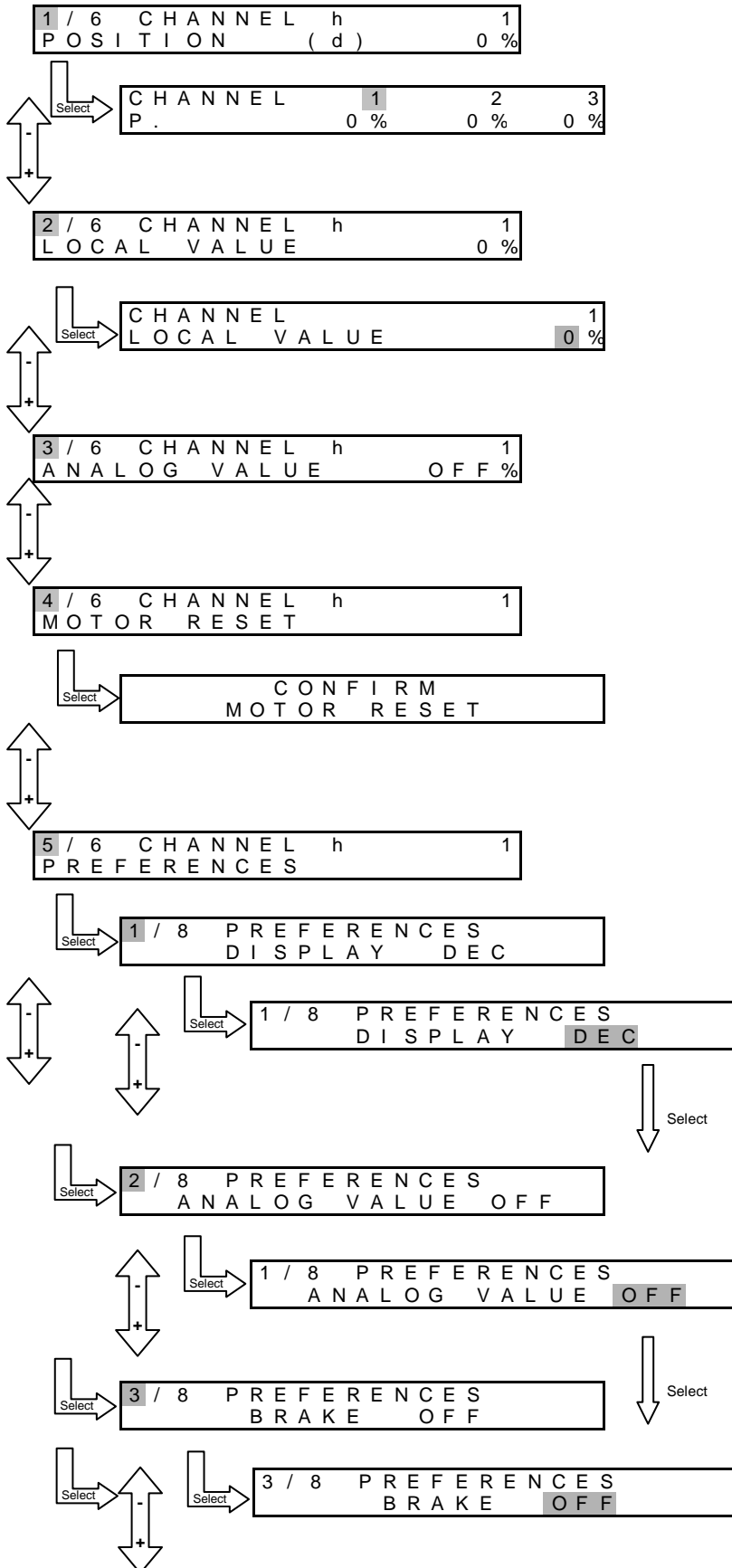
	Name	Function
1	display	Display
2	select	Enter the current menu option and/or valid
3	-	Scrolls through menus and/or Decrease blinking data value
4	+	Scrolls through menus and/or Increase blinking data value
5	exit	Exit the current menu option and/or go back
6	reset	Hard CPU reset
7	Data	DMX LED feedback (Cf. 4.3)

### 4.2.2 Display



	Function	Values
1	Merger mode	"h" = HTP "l" = LTP
2	Active value	"d" = DMX "l" = local "a" = analog
3	Opening	Value depending on display mode
4	Display mode	"%" = pourcent : 0 → 100% "h" = hexadecimal : 0 → ff "b" = visual mode <input type="checkbox"/> → <input checked="" type="checkbox"/>
5	DMX address	0 → 512
6	Dimming curve	" " = LM: Linear Motor "*" = LL: Linear Light

### 4.2.3 Menus and parameters



#### Access to DMX address

Value (-/+)	Function
1 → 510*	DMX address

\*If 512 channels detected

#### Access to local value

Value (-/+)	Function
0 → 100%	Local value

#### Analog value

Value of the optional local potentiometer.

#### Motor reset

Press *select* to launch the motor self calibration procedure.

#### Access to unit parameters

Display mode of the values

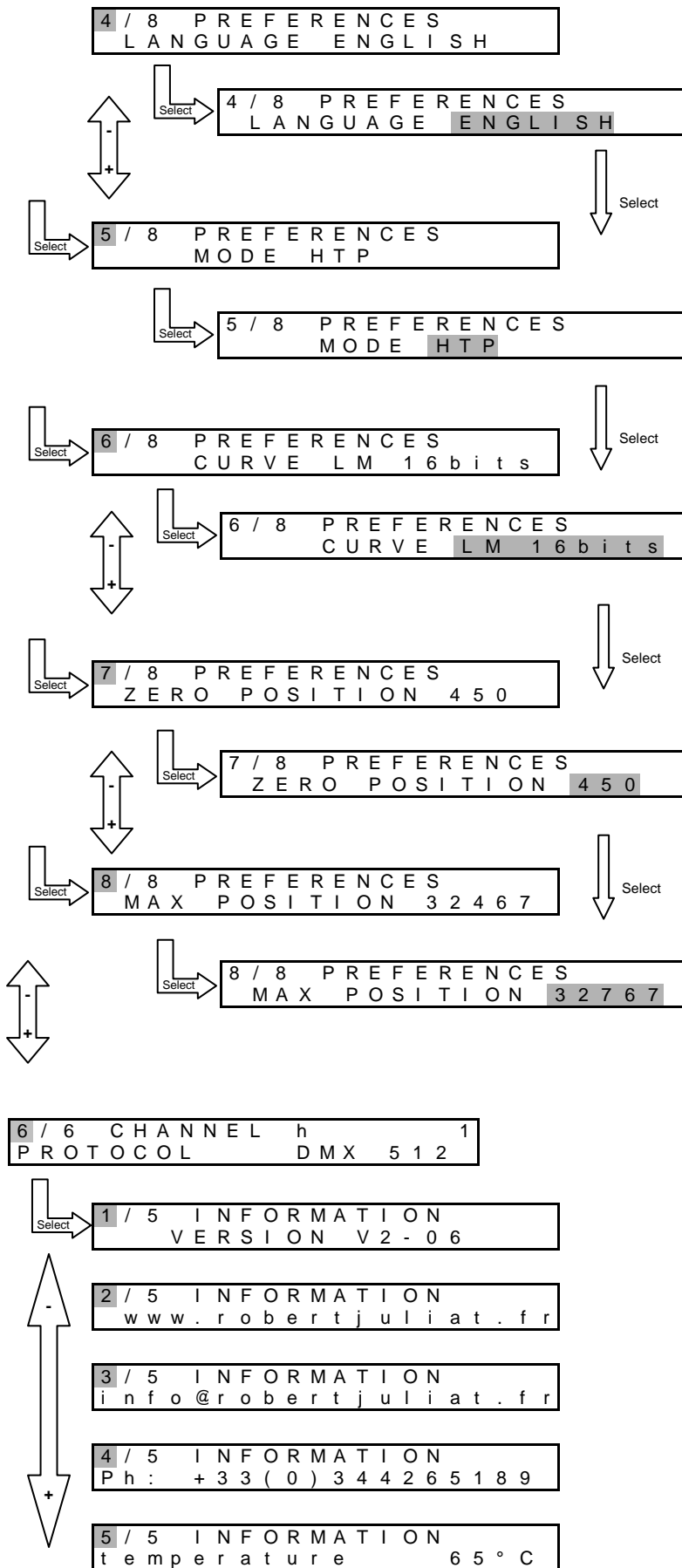
Value (-/+)	Function
DEC	decimal : 0 → 100%
HEX	hexadecimal : 0 → ff
BAR	visual mode

#### Optional local potentiometer activation

Value (-/+)	Function
OFF	local potentiometer deactivated
ON	local potentiometer activated

#### Brake function activation (DMX channel 3) for smooth movements

Value (-/+)	Function
OFF	Brake deactivated
ON	Brake activated



Language mode

Choice of :

Francais / English / Deutsch / Español / Italiano

Merger mode

(for local, analog and DMX values)

Value (-/+)	Function
<i>HTP</i>	Highest Takes Precedence
<i>LTP</i>	Lastest Takes Precedence

Light curve mode

Value (-/+)	Function
<i>LM</i>	Linear Motor
<i>LL</i>	Linear Light

Blades position adjustment (close position)

Cf. 5.Service for adjustment procedure.

Blades position adjustment (open position)

*V2.6 software version only*

Cf. 5.Service for adjustment procedure.

#### Information

Data protocol detected / numbers of channels

Software version

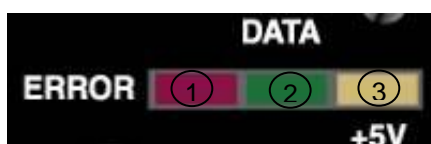
ROBERT JULIAT website

ROBERT JULIAT contact Email

ROBERT JULIAT phone number

Unit temperature (degrees celsius)

#### 4.2.4 LED feedback



LED	Name	Status	Description
1 - red	ERROR	on	Data error
2 - green	DATA	on	DMX512 detected
3 - yellow	+5V	on	CPU power OK

#### 4.2.5 RESET

- Push *RESET* button, then *SELECT* to confirm
- Hard reset of the system is done (equivalent to power-on reset)

#### 4.3 DMX remote control

	DMX Channel	DMX value	Function
Dimmer	1	0 - 65535	Dimmer (High Byte)
	2		Dimmer fine (Low Byte)
Mode control*	3	0	<i>BRAKE</i> off : very fast movement (>5 flash/s)
		1- 255	<i>BRAKE</i> on: fast movement (2 flash/s) → smooth movement (0.01 flash/s)

\* if Brake function activated in *PREFERENCES* menu.

- If *BRAKE* function is not activated, blades movement will be fast but not accurate. Light spills can be seen when blades are closed.
- For smooth continuous movements, *BRAKE* function has to be activated. Speed can be controlled from 1 to 255.
- *BRAKE* function is not recommended if mixing both JALOUSIE2 with current V2-06 version and JALOUSIE2 with previous software version, otherwise blades movement will not be synchronised.

## 5 Servicing

### 5.1 Preventative maintenance

#### 5.1.1 Frequency

General maintenance should be performed at least 3 times a year, or more frequently if the equipment is operated in adverse conditions (smoke, heat, humidity, touring, etc.).

#### 5.1.2 General cleaning

Remove dust from the unit (air vents, printed circuit boards, etc.).

#### 5.1.3 General visual check

- No trace of heat.
- No loose contacts.
- No missing parts.
- Tighten mechanical assemblies (screws, bolts and nuts, ground connections, etc.).

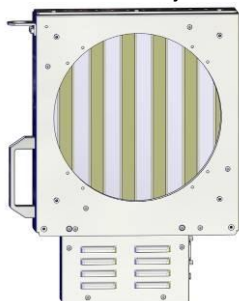
#### 5.1.4 Wiring & Connections

- Cable terminal screw: Visually check, tighten if necessary (do not over tighten).
- Electronic connectors: Visually check the position and the locking clips (if needed).

### 5.2 Blades position adjustment (V2.04 software only)

→ Adjustment of the minimum position (0%) and the maximum position (100%). Positions need to be adjusted if light spills at 0% are detected or if blades have been changed.

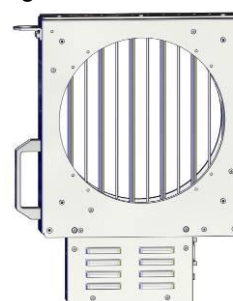
- DMX must be disconnected. Local value must be used to open or close the blades.
- *BRAKE* function must be deactivated in *PREFERENCES* menu.
- Position can be adjusted in *PREFERENCES* menu by pressing + and – buttons:



7 / 8	P R E F E R E N C E S
Z E R O	P O S I T I O N 4 5 0

Minimum position :

Value must be changed in order to have visually the blades in contact.



8 / 8	P R E F E R E N C E S
M A X	P O S I T I O N 3 2 7 6 7

Maximum position :

Value must be changed in order to have visually the blades at 90°.

### 5.3 Software update

Contact your local RJ service centre.

### 5.4 Analysis

If there a problem remains after the *Troubleshooting* procedure (Cf. 6.), contact local RJ service centre with the following information:

- Model and serial number of the product.
- Software version.
- Description of the problem.

## 5.5 Spare parts

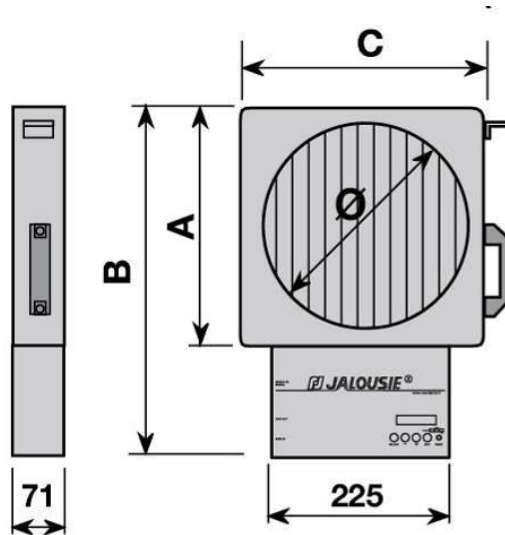
Code	Description	JAL2 Ø206	JAL2 Ø280	JAL2 Ø340	JAL2 Ø404
DJ30413301	SHUTTER BLADE	X			
DJ30413302	SHUTTER BLADE		X		
DJ30413303	SHUTTER BLADE			X	
DJ30413304	SHUTTER BLADE				X
CC40723901	CPU MOTOR CARD, REF. RJ407239-4A4	X			
CC40723907	CPU MOTOR CARD, REF. RJ407239-4G1		X	X	
CC40723904	CPU MOTOR CARD, REF. RJ407239-4D4				X
CC40685101	KEYBOARD CARD - LCD DISPLAY REF. RJ406851-2A1	X	X	X	X
ME20024003	POWER SUPPLY 30W-24V DC	X	X	X	X
ME19024003	MOTOR FOR JALOUSIE DIMMING SHUTTER	X			
ME19024004	MOTOR FOR JALOUSIE2 DIMMING SHUTTER		X	X	X

## 6 Troubleshooting

SYMPTOMS		POSSIBLE CAUSES	SOLUTIONS
Impossible to command the unit	+5V orange LED is off	No power	Check power supply
Failure to command the unit by DMX	DATA green LED is off	DMX data wiring	Check connectors and data cable
		DMX protocol	Check data protocol detected in menu 6/6
	DATA green LED is on	DMX address	Check DMX address of the 1 <sup>st</sup> channel
	DATA green LED is on – blades are open	Local value or potentiometer at 100% and HTP merger mode activated	Change local values to 0% and/or change merger mode to LTP in menu 5/6
Impossible to close the blades by DMX completely		Local value or potentiometer > 0% and HTP merger mode activated	Change local values to 0% and/or change merger mode to LTP in menu 5/6
Impossible to close the blades by local value completely (display or potentiometer)		DMX value > 0% and HTP merger mode activated	Change DMX value to 0% and/or change merger mode to LTP in menu 5/6
When using several units, dimming are not synchronized		Different dimming curves	All the units must have the same dimming curve (menu 5/6)
		BRAKE function on/off	BRAKE function must be either all on or all off on all units. Mode control DMX channel must have the same value.
		Different software version	If one of the units doesn't have V2.06 software version, BRAKE function must be disabled on all units (menu 5/6)
Light spill can be seen at 0%		Blades position adjustment	See 5.2 for adjustment procedure
Displayed message: "Position (!) DFT%"		Mechanism problem or external components blocking the rotation of the blades	Unplug the power and remove external components blocking the system. Plug the power back to reset the system. If problem still remains: check the rotation manually with the unit unplugged
DMX LED feedback is red even if DMX unplugged		Faulty data driver component	Contact local RJ service centre to change the component

## 7 Technical specifications

Dimensions and weight\*:



Ref.	Ø	A	B	C	Weight*
JAL2 - 206	206	298	415	263	3Kg
JAL2 - 280	280	372	487	338	4,3Kg
JAL2 - 340	340	432	545	416	5,5Kg
JAL2 - 404	404	493	612	494	6,9Kg

(\*) Without adaptation